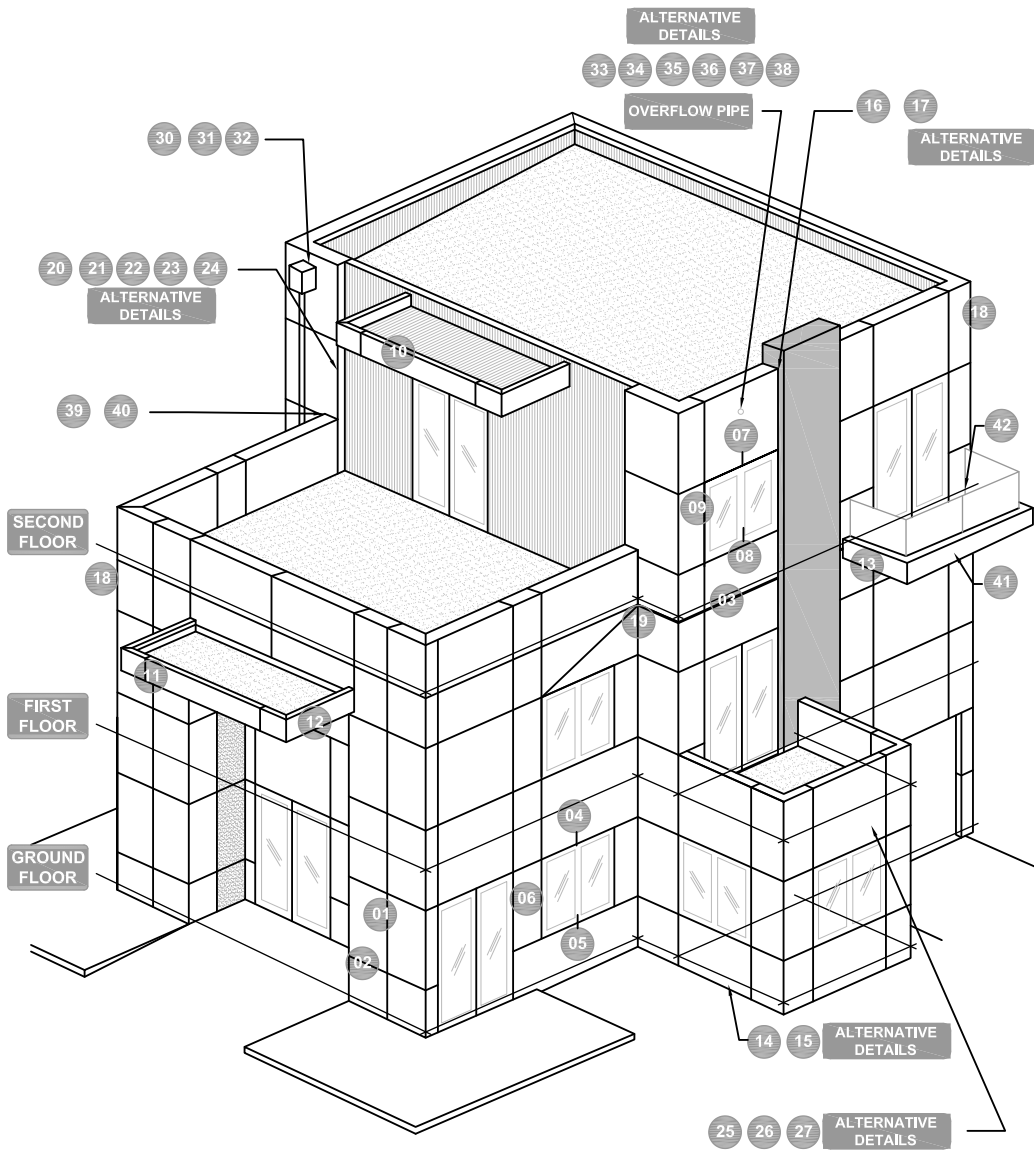


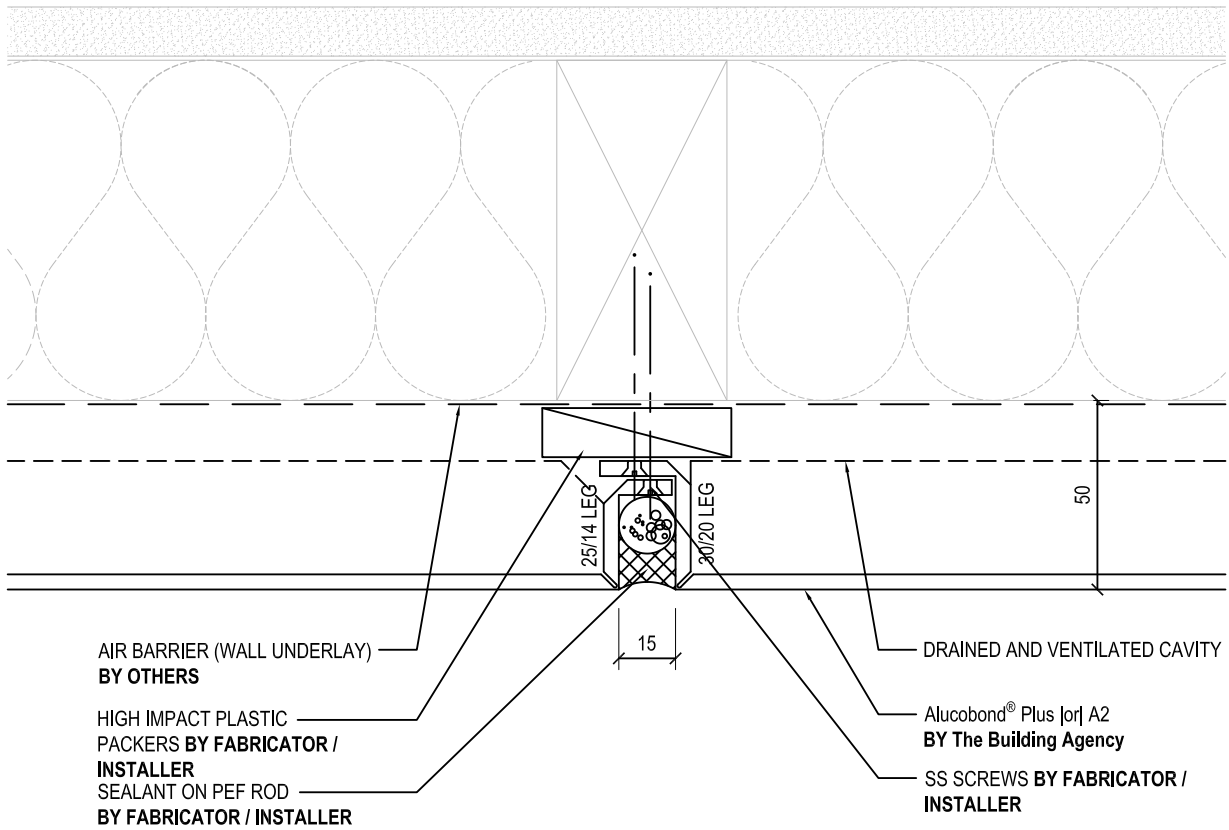
ROUT AND RETURN SYSTEM

CONTENT PAGE



01	TYPICAL VERTICAL JOINT DETAIL
02	TYPICAL HORIZONTAL JOINT DETAIL
03	15 mm OPEN DRAINAGE JOINT
04	RESIDENTIAL WINDOW HEAD DETAIL
05	RESIDENTIAL WINDOW SILL DETAIL
06	RESIDENTIAL WINDOW JAMB DETAIL
07	COMMERCIAL WINDOW HEAD DETAIL
08	COMMERCIAL WINDOW SILL DETAIL
09	COMMERCIAL WINDOW JAMB DETAIL
10	FASCIA AND SOFFIT (METAL ROOF)
11	FASCIA AND SOFFIT (MEMBRANE ROOF)
12	SOFFIT WALL/JUNCTION DETAIL 1
13	SOFFIT WALL/JUNCTION DETAIL 2
14	BASE CLEARANCE / DETAIL 1
15	BASE DETAIL 2
16	ACM/PRECAST JUNCTION DET. 1
17	ACM/PRECAST JUNCTION DET. 2
18	EXTERNAL CORNER DETAIL
19	INTERNAL CORNER DETAIL 1
20	INTERNAL CORNER DETAIL 2
21	INTERNAL CORNER DETAIL 3
22	INTERNAL CORNER DETAIL 4
23	ACM WALL JUNCTION DETAIL 1
24	ACM WALL JUNCTION DETAIL 2
25	WINDOW HEAD DETAIL (ALTERNATIVE DET)
26	WINDOW HEAD DETAIL (ALTERNATIVE DET)
27	WINDOW HEAD DETAIL (ALTERNATIVE DET)
28	X
29	X
30	RAIN HEAD/OUTLET THROUGH WALL DETAIL
31	TYPICAL RAIN HEAD PLAN
32	DOWNPIPE / ACM FIXING DETAIL
33	PENETRATION DETAIL
34	PENETRATION DETAIL
35	PENETRATION DETAIL
36	PENETRATION DETAIL
37	PENETRATION DETAIL
38	PENETRATION DETAIL
39	SADDLE FLASHING DETAIL
40	SADDLE FLASHING DETAIL
41	BALUSTRADE DETAIL
42	DECK DETAIL
43	COMMERCIAL WINDOW SILL DETAIL - RECESSED
44	ACM TO ACM CONNECTION
1000	JOINT WITH EDGE SUPPORT DETAIL

ROUT AND RETURN SYSTEM



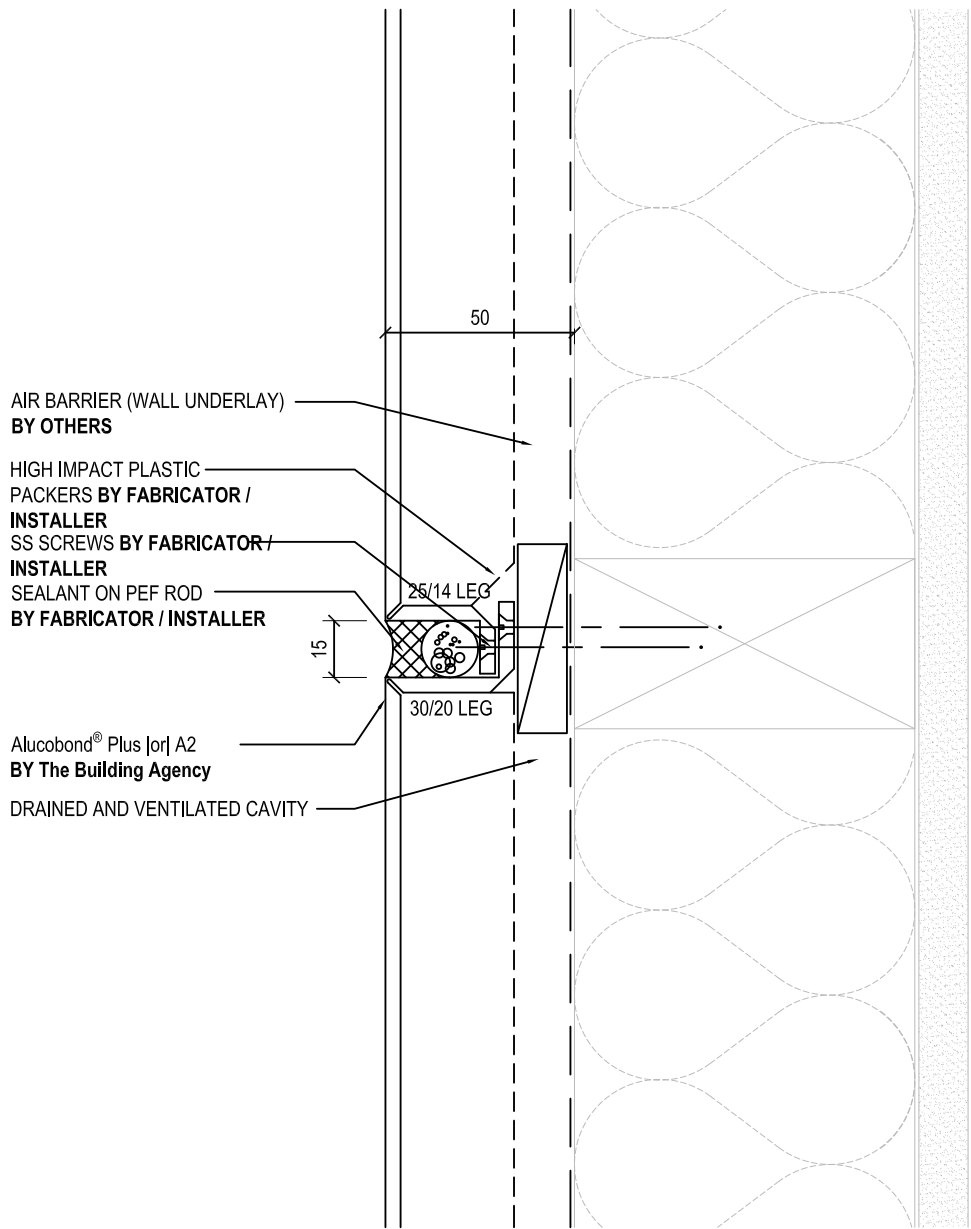
<p>THE BUILDING AGENCY</p> <p style="font-size: 8px;">14 Link Drive Waiuku Valley Auckland, New Zealand 09 415 2669 www.buildingagency.co.nz</p> <p style="font-size: 8px; margin-top: 5px;">MATERIALS • SYSTEMS • SOLUTIONS</p>	
---	--

DRAWING TITLE
STANDARD VERTICAL JOINT DETAIL

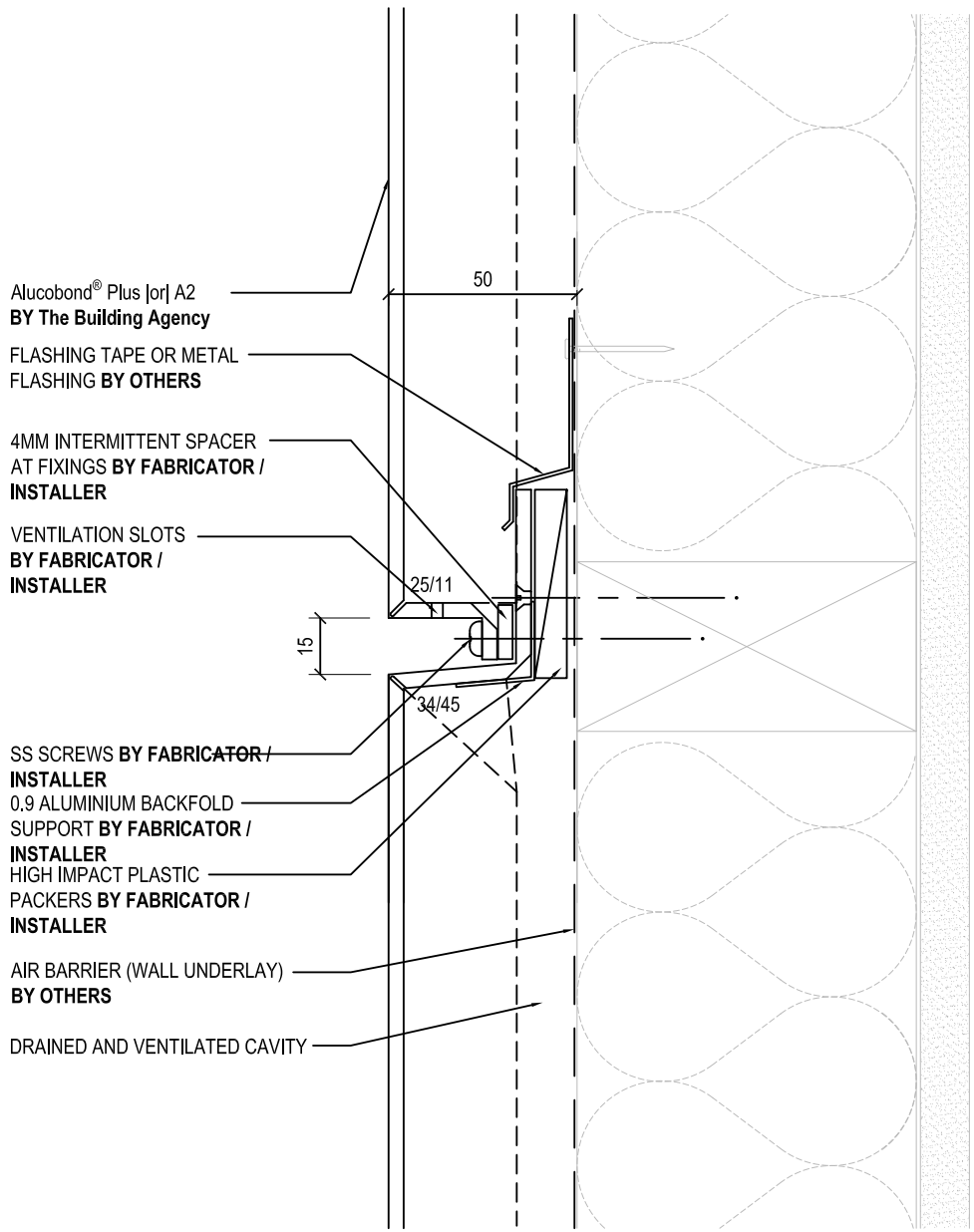
DRAWING STATUS			
ARCHITECTURAL RESOURCE	SHEET NO.	ISSUE	
	01	A	
SCALE @ A4: 1:2	DATE: Jan, 2021		

Copyright © of this drawing shall remain the property of The Building Agency. No part of this document may be reproduced or transmitted by any means without the prior permission in writing of The Building Agency.

ROUT AND RETURN SYSTEM



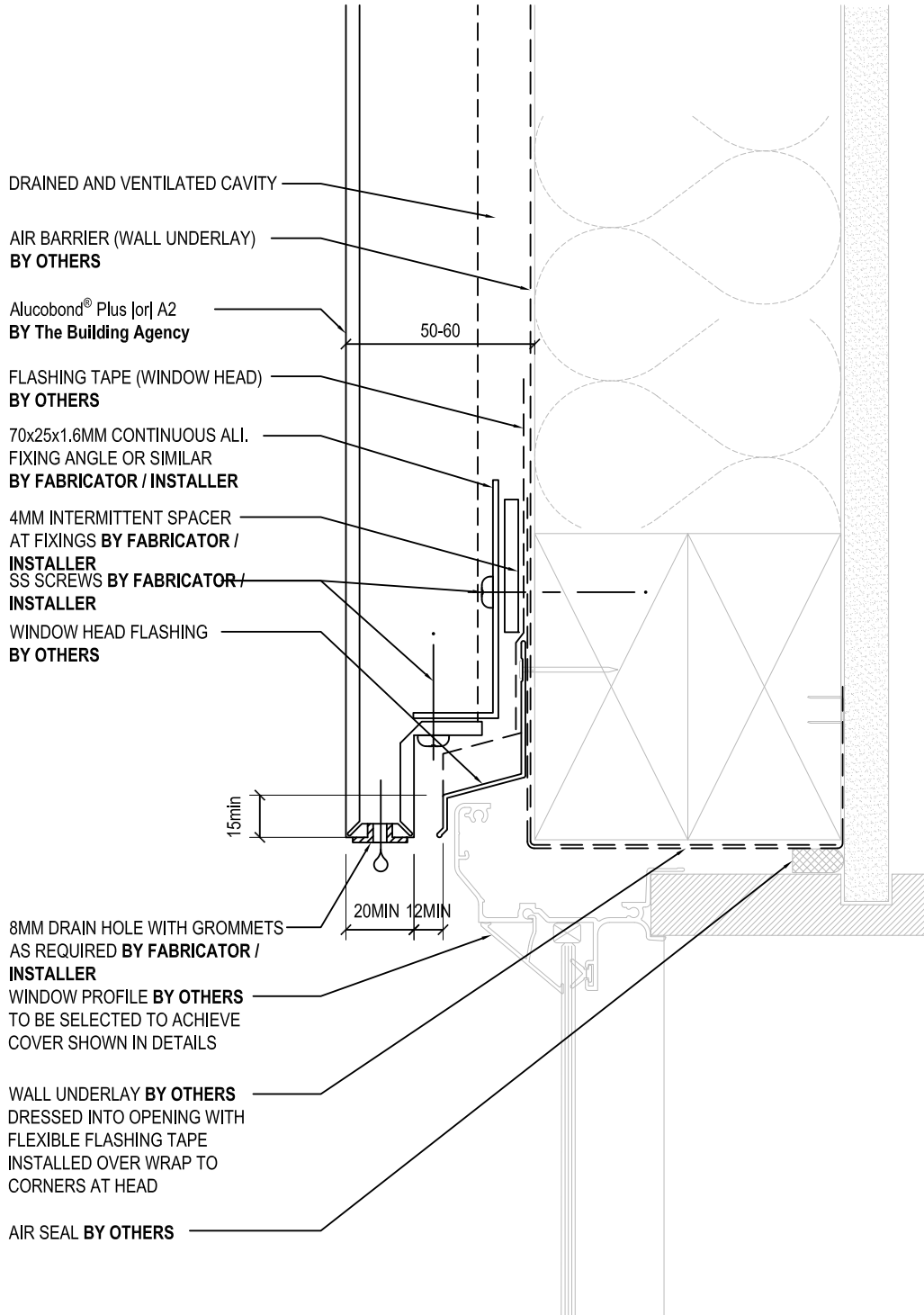
ROUT AND RETURN SYSTEM



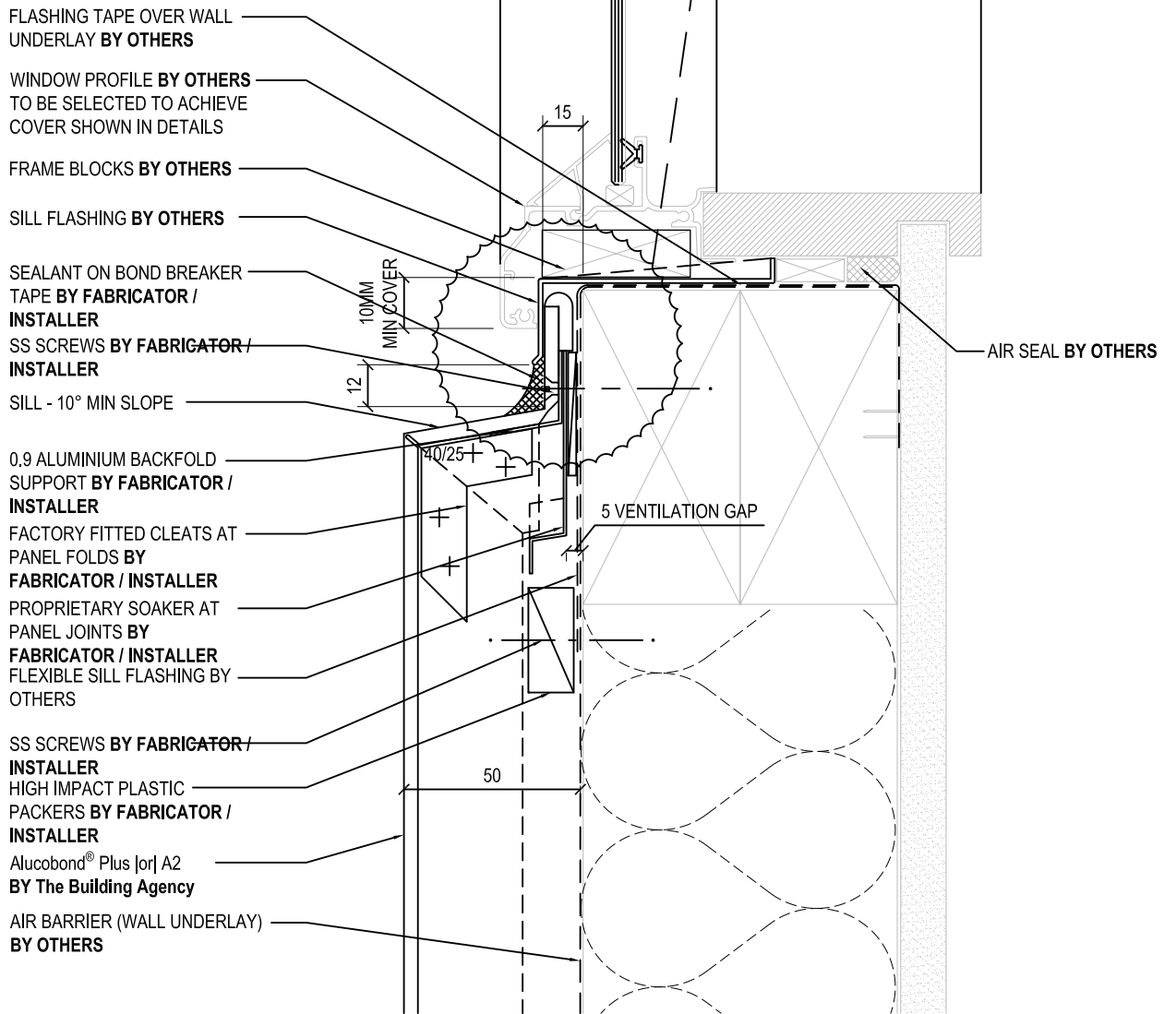
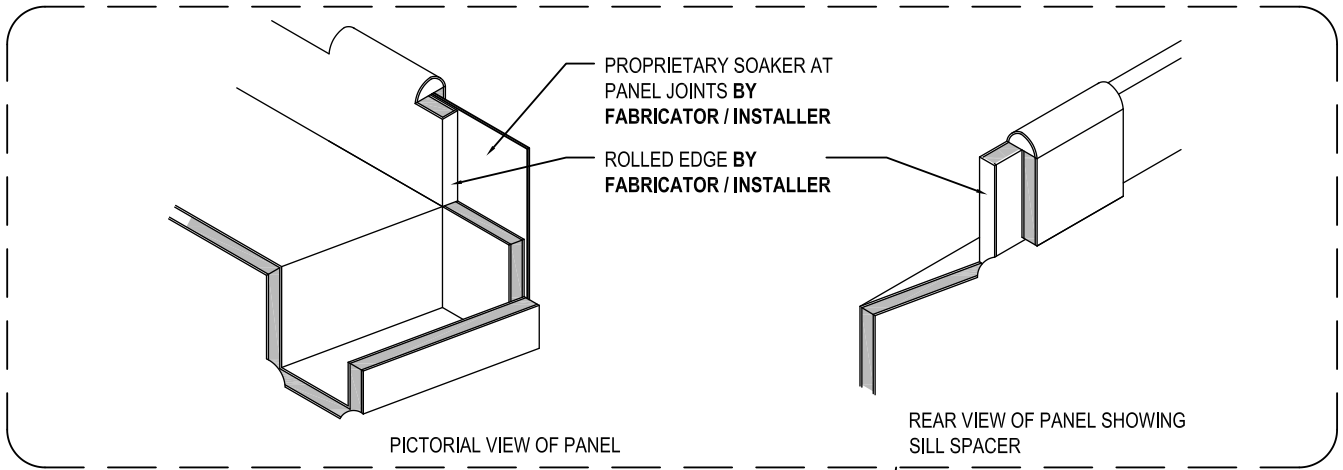
NOTE

- OPEN DRAINAGE JOINT IS ONLY REQUIRED ON HIGHRISE BUILDINGS AT EVERY SECOND FLOOR LEVEL. FOR BUILDINGS WHERE THE ACM WALL SPANS OVER MORE THAN 3 STOREYS HIGH

ROUT AND RETURN SYSTEM



ROUT AND RETURN SYSTEM



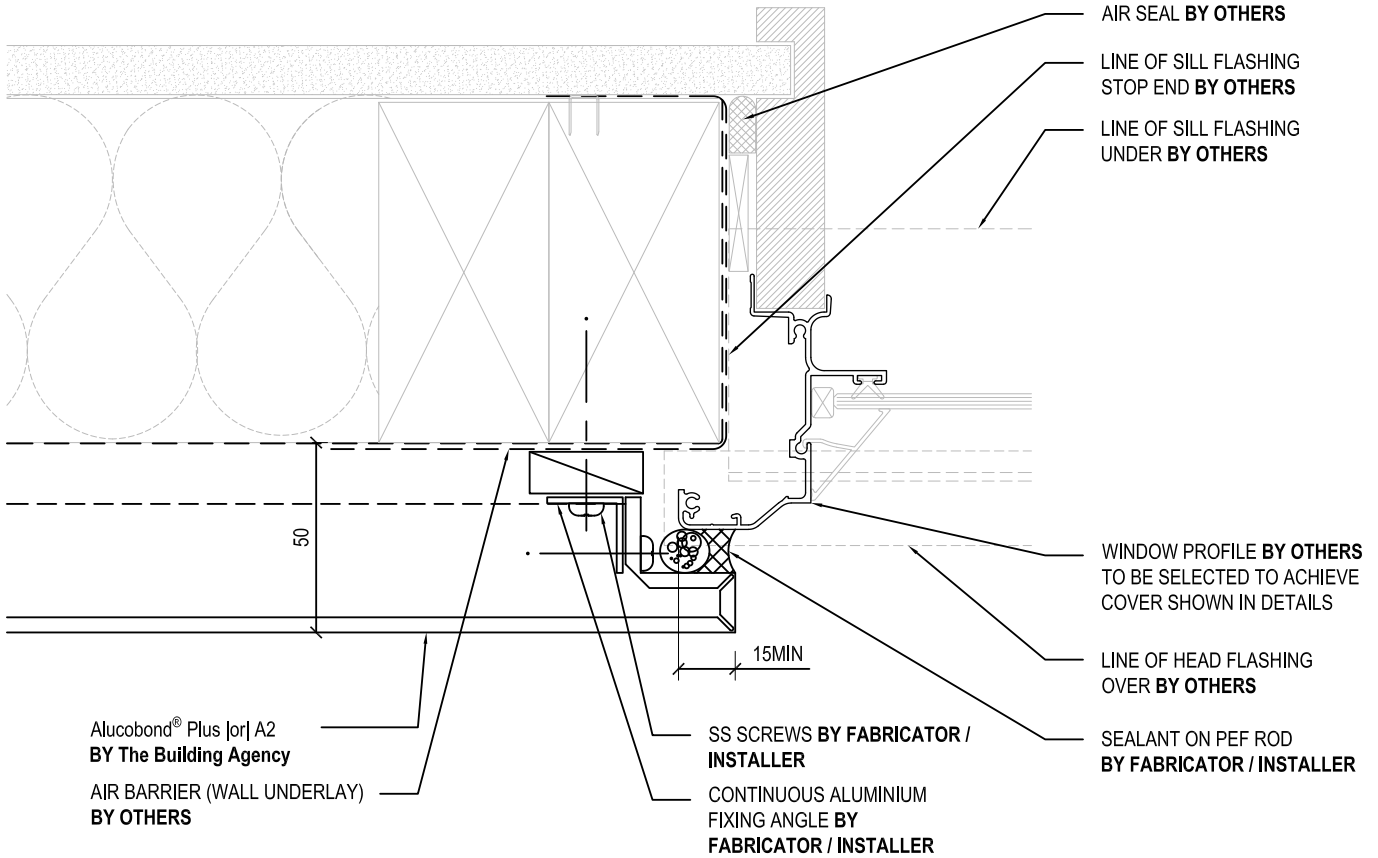
THE BUILDING AGENCY
 14 Link Drive
 Waikau Valley
 Auckland, New Zealand
 09 415 2669
 www.buildingagency.co.nz


DRAWING TITLE	RESIDENTIAL WINDOW SILL DETAIL
---------------	--------------------------------

DRAWING STATUS	ARCHITECTURAL RESOURCE
SHEET NO.	05
ISSUE	A
SCALE @ A4:	1:2
DATE:	Jan, 2021

Copyright © of this drawing shall remain the property of The Building Agency. No part of this document may be reproduced or transmitted by any means without the prior permission in writing of The Building Agency.

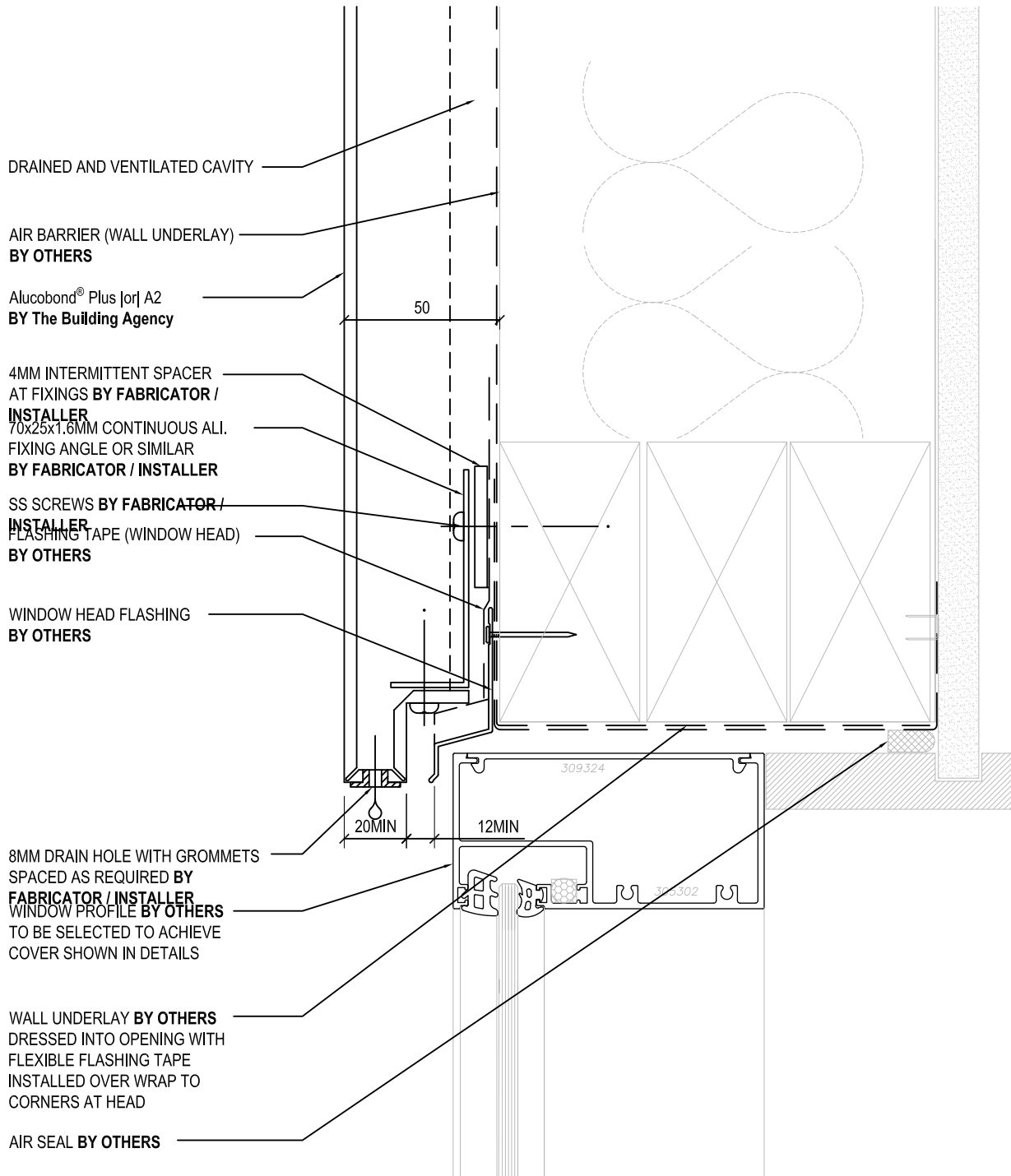
ROUT AND RETURN SYSTEM



 <p>THE BUILDING AGENCY 14 Link Drive Waikou Valley Auckland, New Zealand 09 415 2669 www.buildingagency.co.nz</p>	DRAWING TITLE	DRAWING STATUS					
	RESIDENTIAL WINDOW JAMB DETAIL	ARCHITECTURAL RESOURCE	<table border="1"> <tr> <td>SHEET NO.</td> <td>ISSUE</td> </tr> <tr> <td style="text-align: center;">06</td> <td style="text-align: center;">A</td> </tr> </table>	SHEET NO.	ISSUE	06	A
	SHEET NO.	ISSUE					
06	A						
	SCALE @ A4: 1:2	DATE: Jan, 2021					

Copyright © of this drawing shall remain the property of The Building Agency. No part of this document may be reproduced or transmitted by any means without the prior permission in writing of The Building Agency.

ROUT AND RETURN SYSTEM

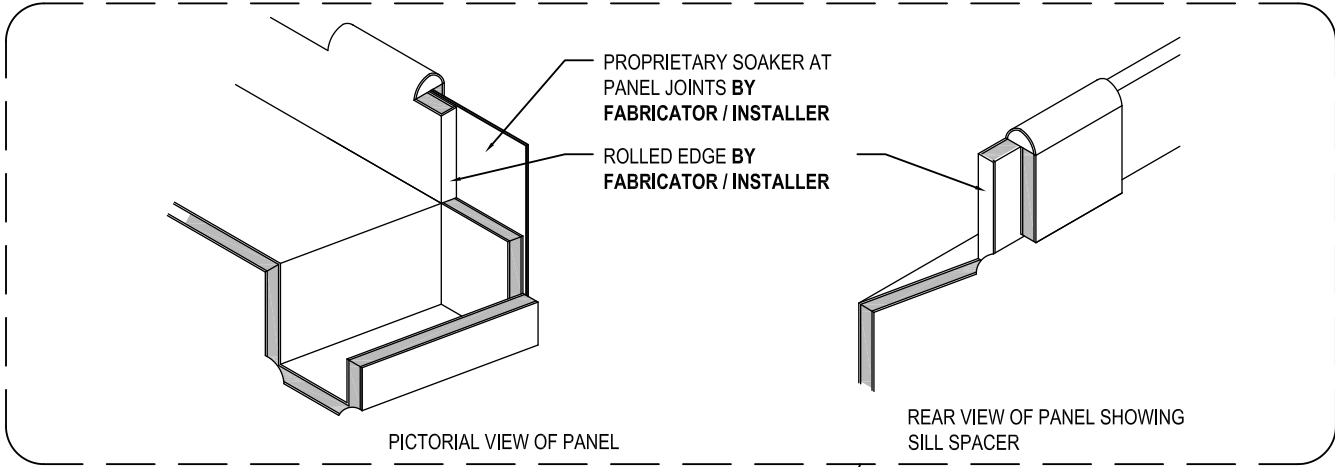


THE BUILDING AGENCY
 14 Link Drive
 Waiuku Valley
 Auckland, New Zealand
 09 415 2669
 www.buildingagency.co.nz

DRAWING TITLE	DRAWING STATUS
COMMERCIAL WINDOW HEAD DETAIL	ARCHITECTURAL RESOURCE
	SCALE @ A4: 1:2

SHEET NO.	ISSUE
07	A
DATE: Jan, 2021	

ROUT AND RETURN SYSTEM



FLASHING TAPE OVER WALL UNDERLAY **BY OTHERS**

WINDOW PROFILE **BY OTHERS** TO BE SELECTED TO ACHIEVE COVER SHOWN IN DETAILS

AIR SEAL **BY OTHERS**

ALUMINIUM SILL TRAY **BY OTHERS**

SEALANT ON BOND BREAKER TAPE **BY FABRICATOR / INSTALLER**
SILL - 10° MIN SLOPE

0.9 ALUMINIUM BACKFOLD SUPPORT **BY FABRICATOR / INSTALLER**

SS SCREWS **BY FABRICATOR / INSTALLER**

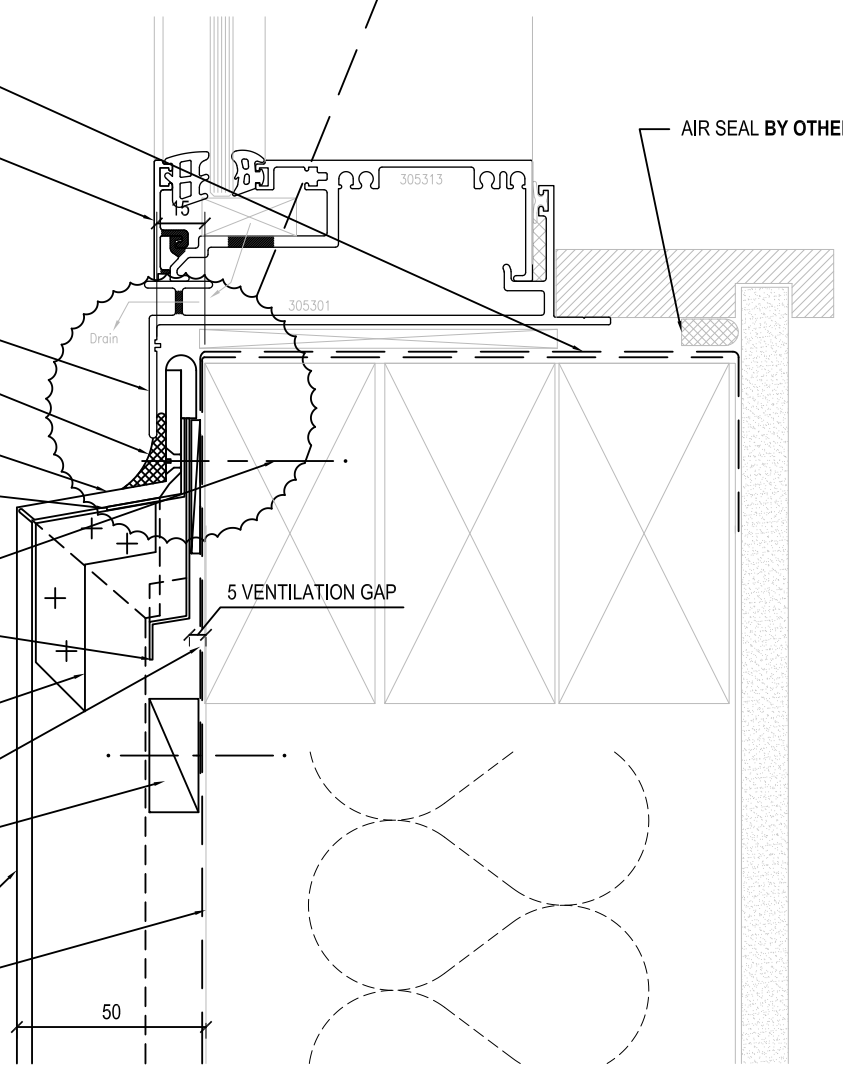
PROPRIETARY SOAKER AT PANEL JOINTS **BY FABRICATOR / INSTALLER**

FACTORY FITTED CLEATS AT PANEL FOLDS **BY FABRICATOR / INSTALLER**

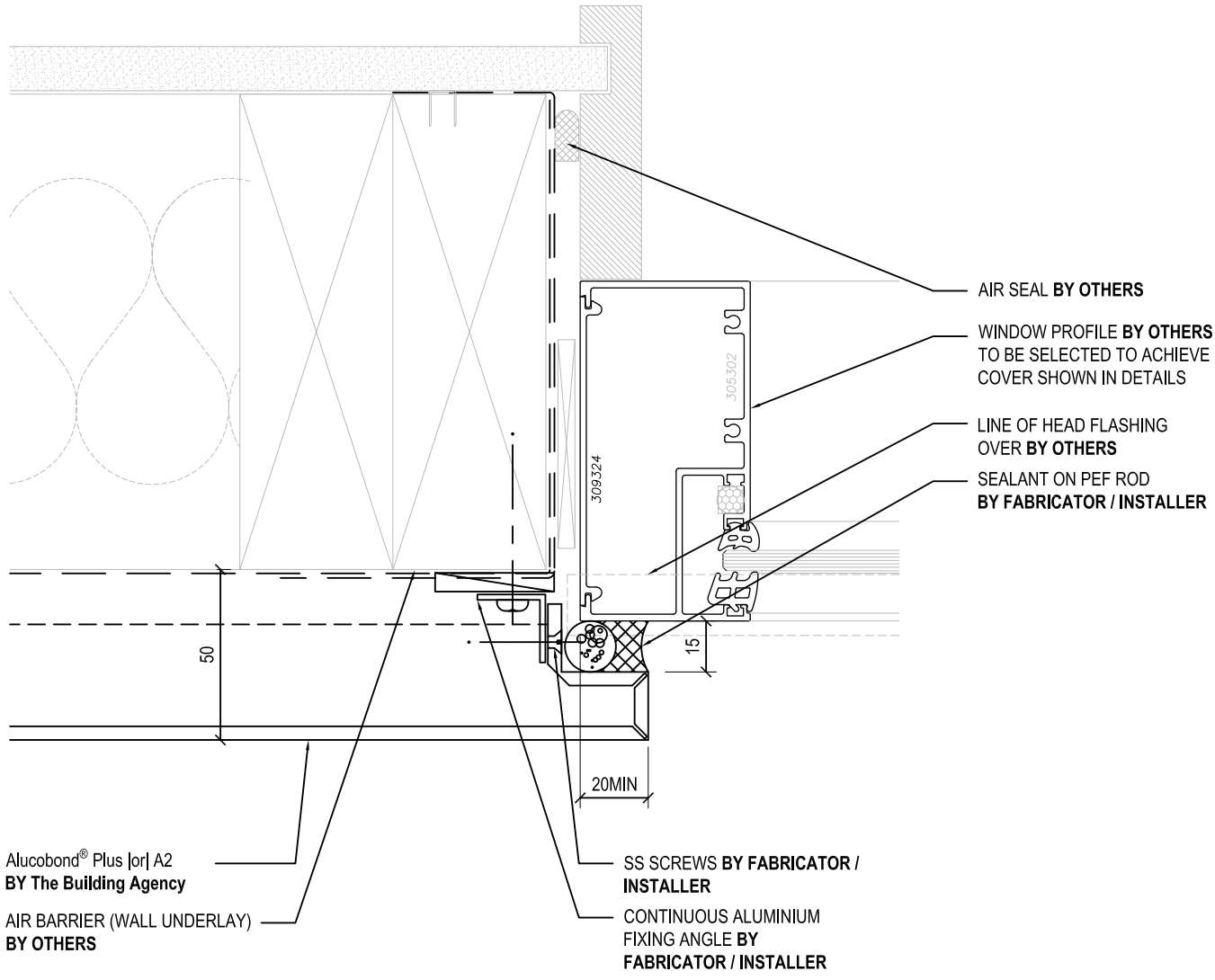
FLEXIBLE SILL FLASHING **BY OTHERS**

HIGH IMPACT PLASTIC PACKERS **BY FABRICATOR / INSTALLER**

Alucobond® Plus [or] A2 **BY The Building Agency**
AIR BARRIER (WALL UNDERLAY) **BY OTHERS**



ROUT AND RETURN SYSTEM



THE BUILDING AGENCY

14 Link Drive
Waikou Valley
Auckland, New Zealand

09 415 2669
www.buildingagency.co.nz

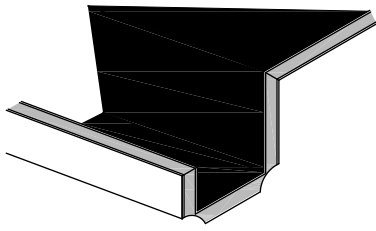
MATERIALS • SYSTEMS • SOLUTIONS

DRAWING TITLE	DRAWING STATUS
COMMERCIAL WINDOW JAMB DETAIL	ARCHITECTURAL RESOURCE
	SCALE @ A4: 1:2

SHEET NO.	ISSUE
09	A
DATE: Jan, 2021	

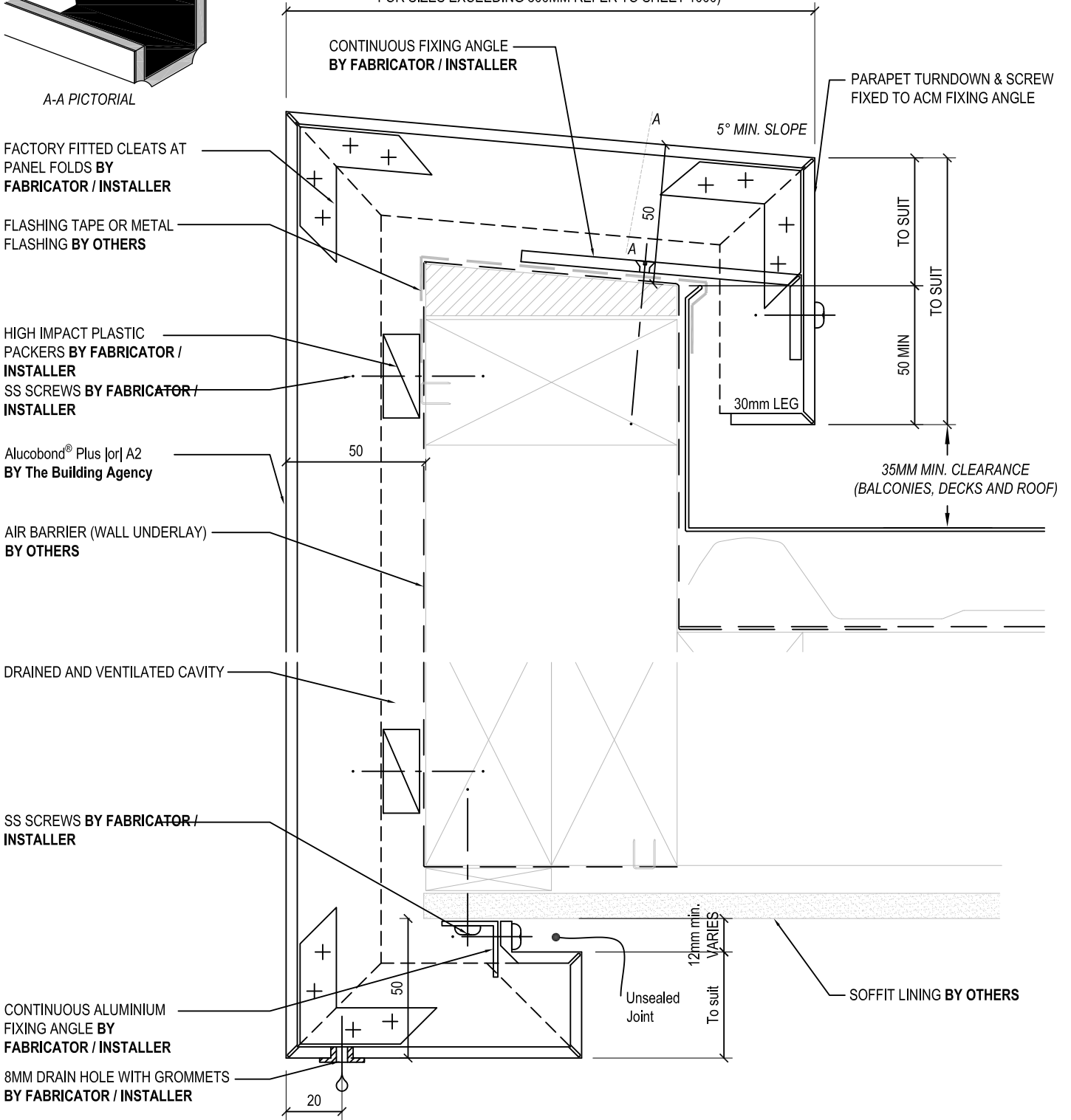
Copyright © of this drawing shall remain the property of The Building Agency. No part of this document may be reproduced or transmitted by any means without the prior permission in writing of The Building Agency.

ROUT AND RETURN SYSTEM



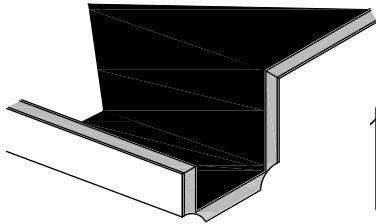
A-A PICTORIAL

SIZE TO SUIT STRUCTURE (MIN 150MM MAX 300MM - FOR SIZES EXCEEDING 300MM REFER TO SHEET 1000)



<p>THE BUILDING AGENCY 14 Link Drive Waikau Valley Auckland, New Zealand 09 415 2669 www.buildingagency.co.nz</p>	DRAWING TITLE	DRAWING STATUS	
	<p>FASCIA AND SOFFIT DETAIL</p>	<p>ARCHITECTURAL RESOURCE</p>	<p>SHEET NO. 10</p> <p>ISSUE A</p>
		<p>SCALE @ A4: 1:2</p>	<p>DATE: Jan, 2021</p>
<p>Copyright © of this drawing shall remain the property of The Building Agency. No part of this document may be reproduced or transmitted by any means without the prior permission in writing of The Building Agency.</p>			

ROUT AND RETURN SYSTEM



A-A PICTORIAL

SIZE TO SUIT STRUCTURE (MIN 150MM MAX 300MM -
FOR SIZES EXCEEDING 300MM REFER TO SHEET 1000)

PARAPET TURNDOWN & SCREW
FIXED TO ACM FIXING ANGLE

CONTINUOUS FIXING ANGLE
BY FABRICATOR / INSTALLER

FACTORY FITTED CLEATS AT
PANEL FOLDS BY
FABRICATOR / INSTALLER

WATERPROOFING MEMBRANE
BY OTHERS

HIGH IMPACT PLASTIC
PACKERS BY FABRICATOR /
INSTALLER
SS SCREWS BY FABRICATOR/
INSTALLER

Alucobond® Plus [or] A2
BY The Building Agency

AIR BARRIER (WALL UNDERLAY)
BY OTHERS

DRAINED AND VENTILATED CAVITY

SS SCREWS BY FABRICATOR/
INSTALLER

VENTILATION SLOTS
BY FABRICATOR /
INSTALLER

8MM DRAIN HOLE WITH GROMMETS
BY FABRICATOR / INSTALLER

5° MIN. SLOPE

TO SUIT

TO SUIT

50 MIN

30mm LEG

35MM MIN. CLEARANCE
(BALCONIES, DECKS AND ROOF)

50

20

50

OPEN JOINT

20

15

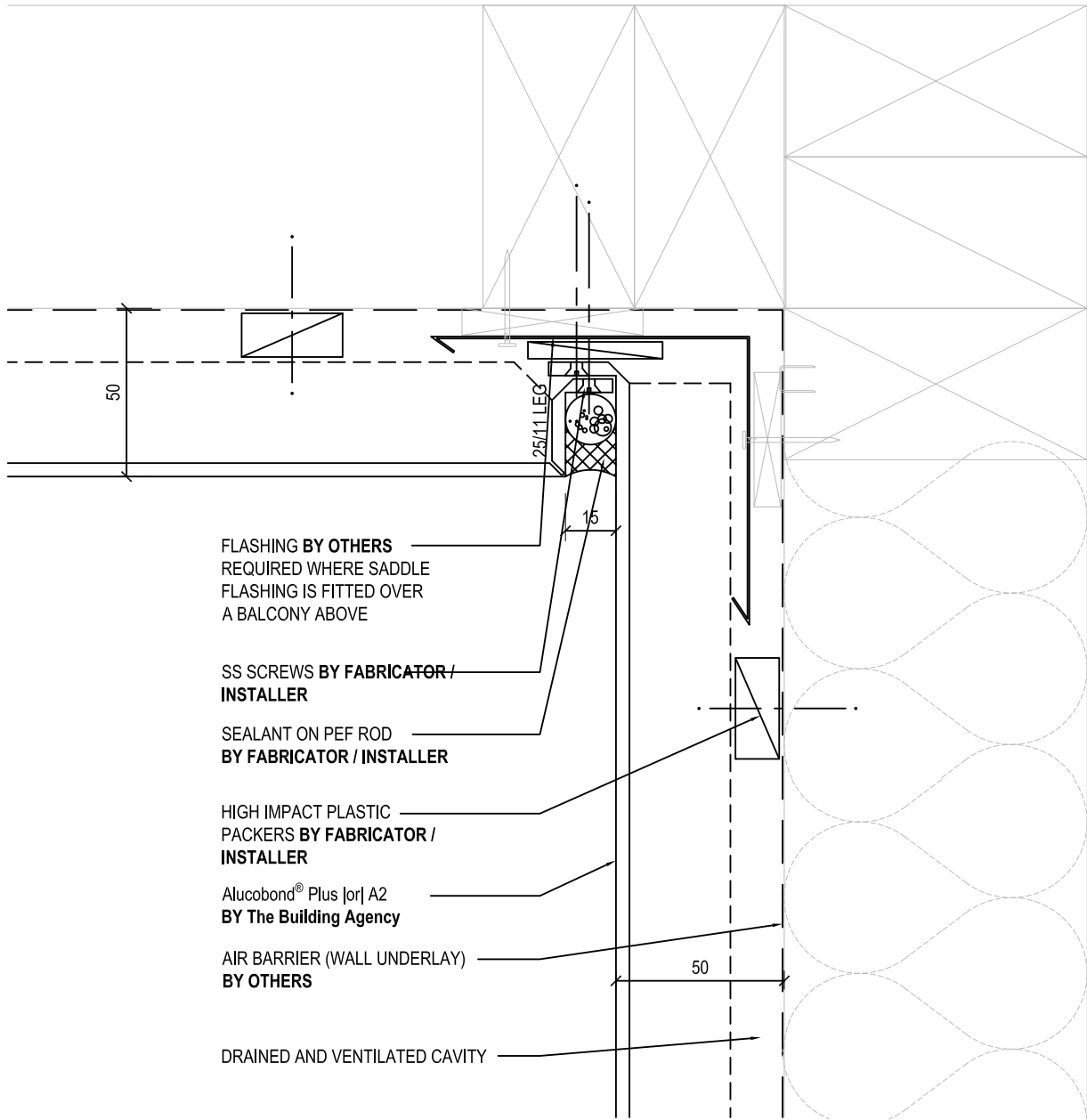
14 Link Drive
Yakau Valley
Auckland, New Zealand
09 415 2669
www.buildingagency.co.nz

DRAWING TITLE	DRAWING STATUS
FASCIA AND SOFFIT DETAIL	ARCHITECTURAL RESOURCE
SCALE @ A4: 1:2	

SHEET NO.	ISSUE
11	A
DATE: Jan, 2021	

Copyright © of this drawing shall remain the property of The Building Agency. No part of this document may be reproduced or transmitted by any means without the prior permission in writing of The Building Agency.

ROUT AND RETURN SYSTEM



FLASHING BY OTHERS
REQUIRED WHERE SADDLE
FLASHING IS FITTED OVER
A BALCONY ABOVE

SS SCREWS BY FABRICATOR/
INSTALLER

SEALANT ON PEF ROD
BY FABRICATOR / INSTALLER

HIGH IMPACT PLASTIC
PACKERS BY FABRICATOR /
INSTALLER

Alucobond® Plus (or) A2
BY The Building Agency

AIR BARRIER (WALL UNDERLAY)
BY OTHERS

DRAINED AND VENTILATED CAVITY

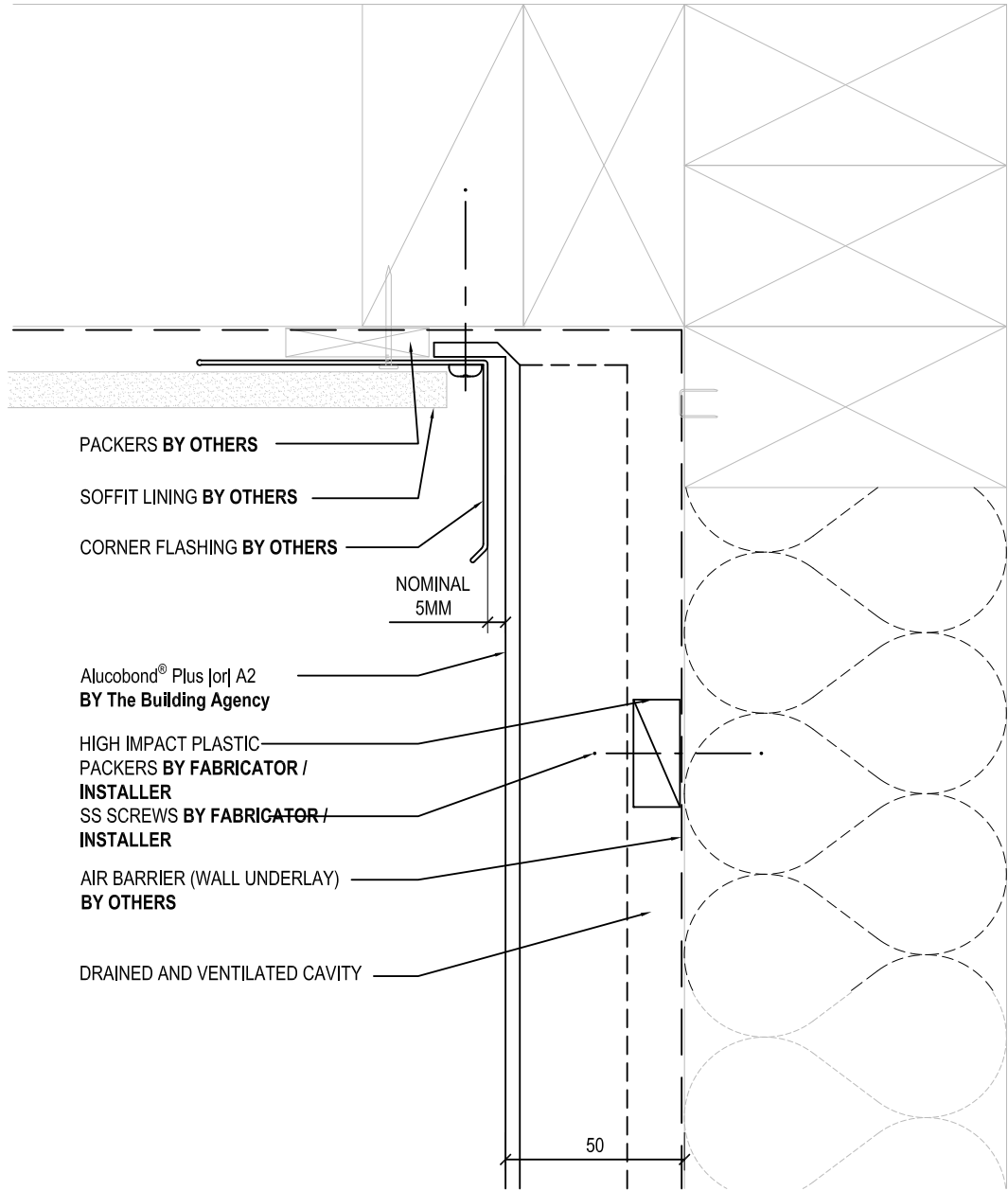
THE BUILDING AGENCY
14 Link Drive
Waikou Valley
Auckland, New Zealand
09 415 2669
www.buildingagency.co.nz

DRAWING TITLE	DRAWING STATUS
SOFFIT / WALL JUNCTION DETAIL	ARCHITECTURAL RESOURCE
SCALE @ A4: 1:2	

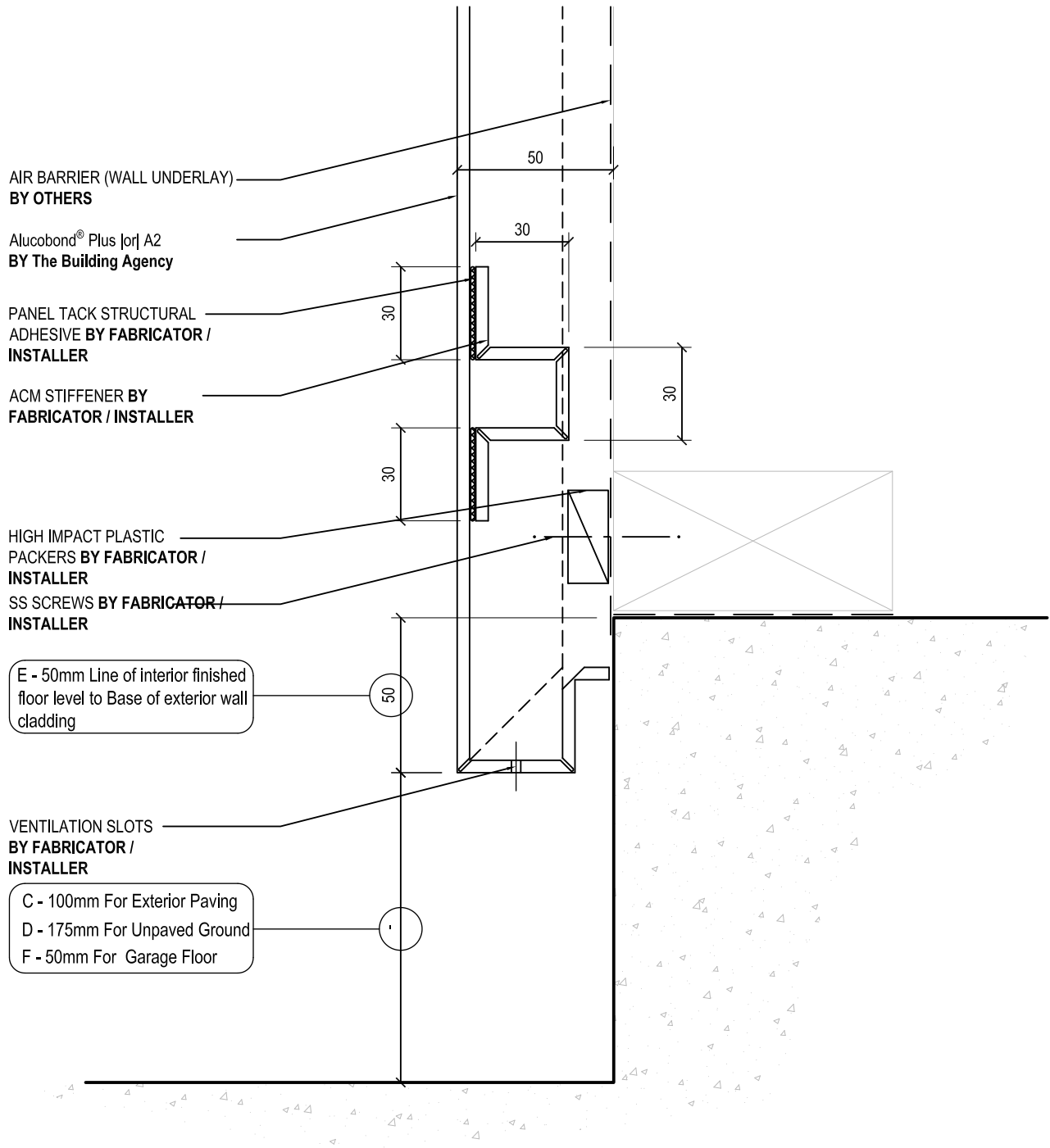
SHEET NO.	ISSUE
12	A
DATE: Jan, 2021	

Copyright © of this drawing shall remain the property of The Building Agency. No part of this document may be reproduced or transmitted by any means without the prior permission in writing of The Building Agency.

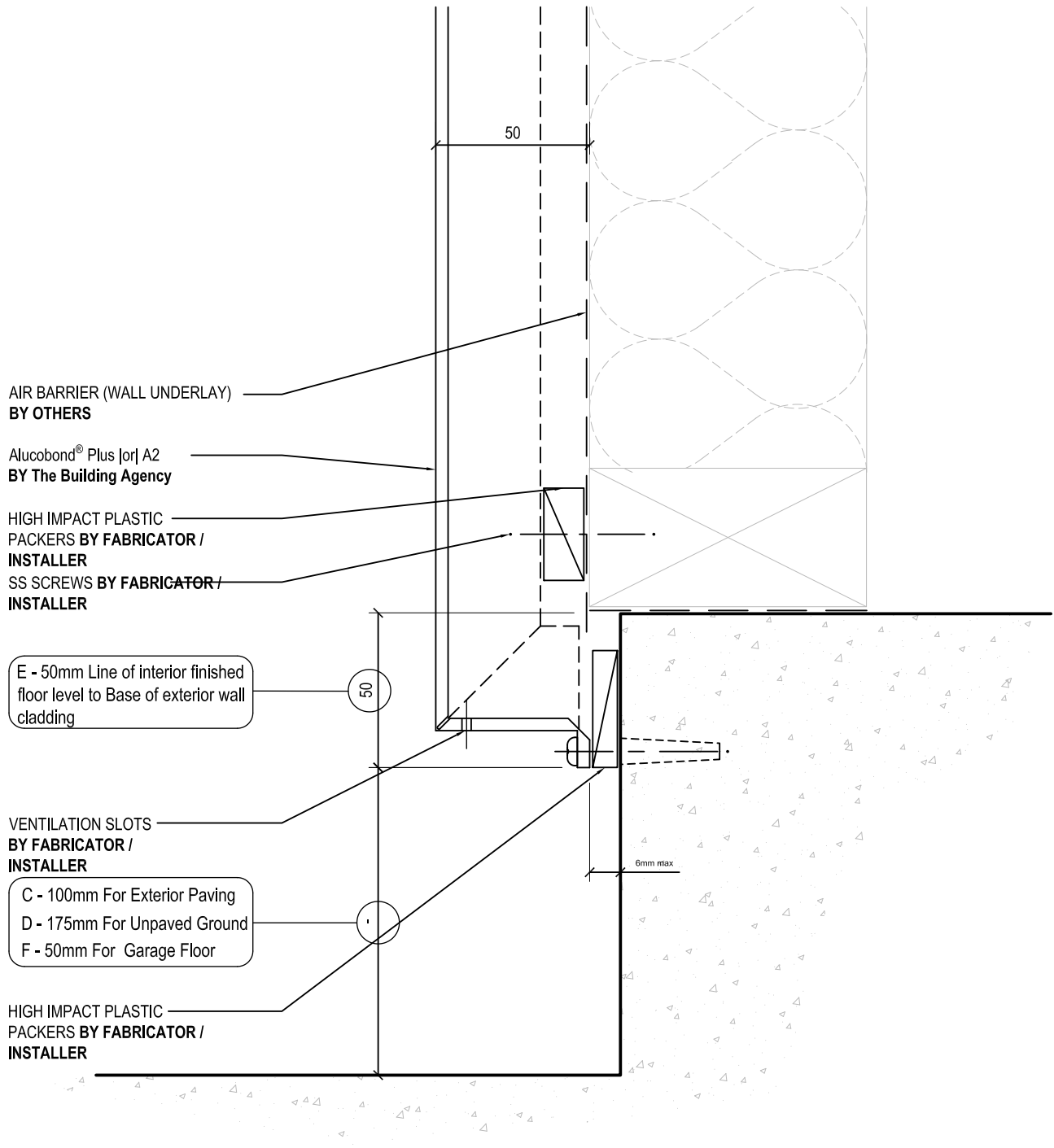
ROUT AND RETURN SYSTEM



ROUT AND RETURN SYSTEM



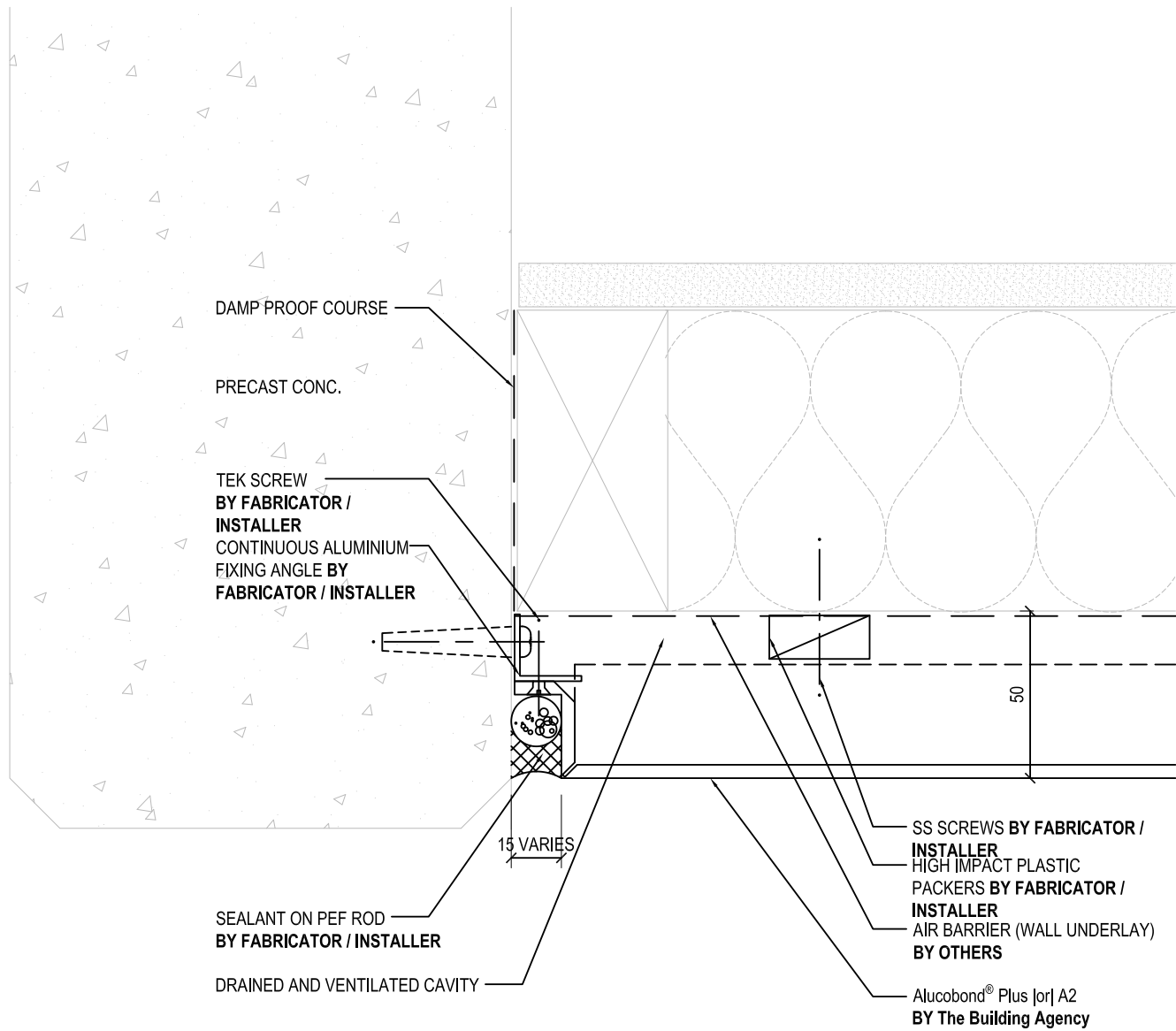
ROUT AND RETURN SYSTEM



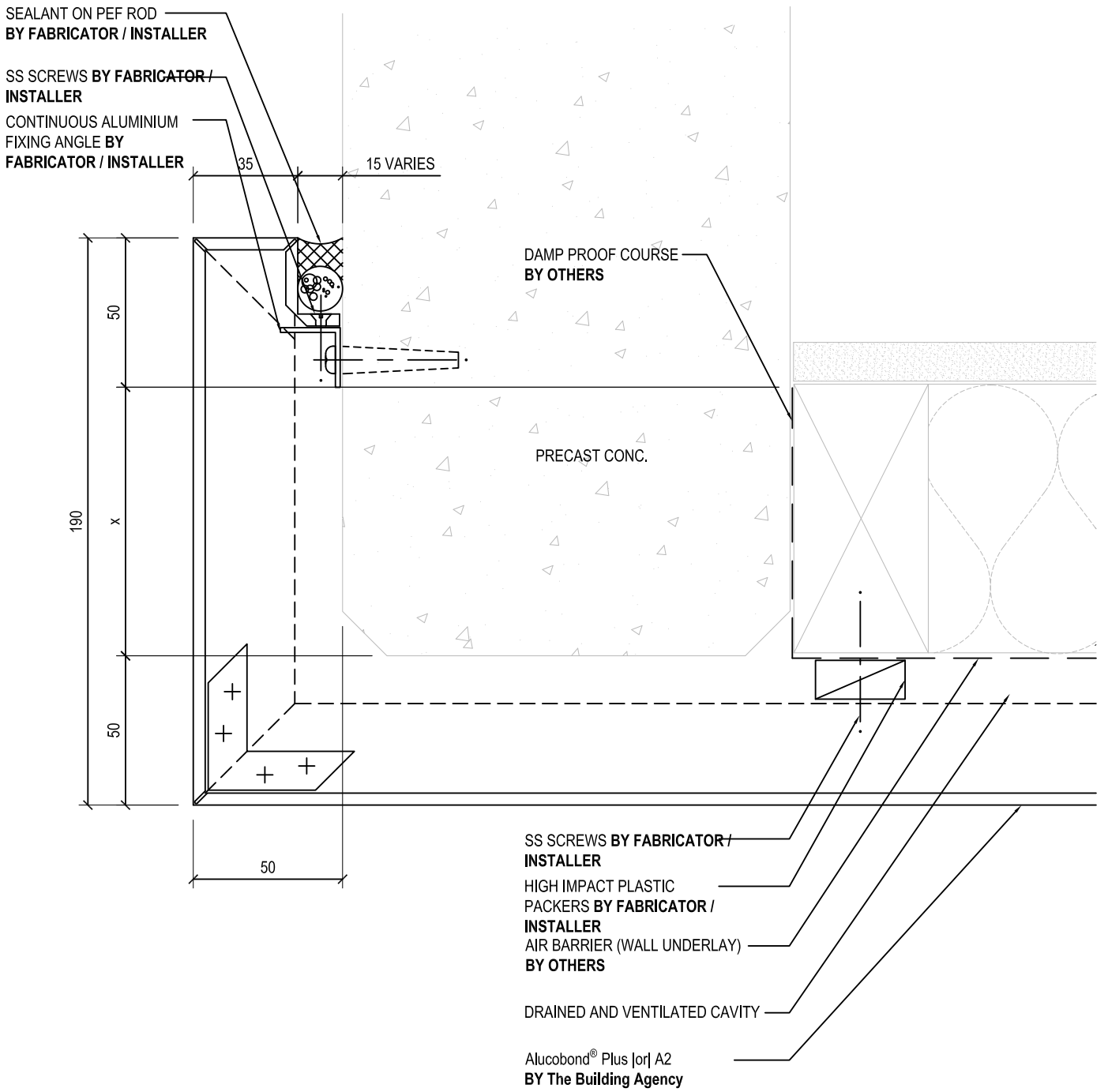
THE BUILDING AGENCY
 14 Link Drive
 Waiuku Valley
 Auckland, New Zealand
 09 415 2669
 www.buildingagency.co.nz

DRAWING TITLE	DRAWING STATUS				
BASE CLEARANCE DETAIL 2	ARCHITECTURAL RESOURCE				
	<table border="1"> <tr> <td>SHEET NO.</td> <td>ISSUE</td> </tr> <tr> <td style="text-align: center;">15</td> <td style="text-align: center;">A</td> </tr> </table>	SHEET NO.	ISSUE	15	A
SHEET NO.	ISSUE				
15	A				
	<table border="1"> <tr> <td>SCALE @ A4: 1:2</td> <td>DATE: Jan, 2021</td> </tr> </table>	SCALE @ A4: 1:2	DATE: Jan, 2021		
SCALE @ A4: 1:2	DATE: Jan, 2021				

ROUT AND RETURN SYSTEM



ROUT AND RETURN SYSTEM



THE BUILDING AGENCY
MATERIALS • SYSTEMS • SOLUTIONS

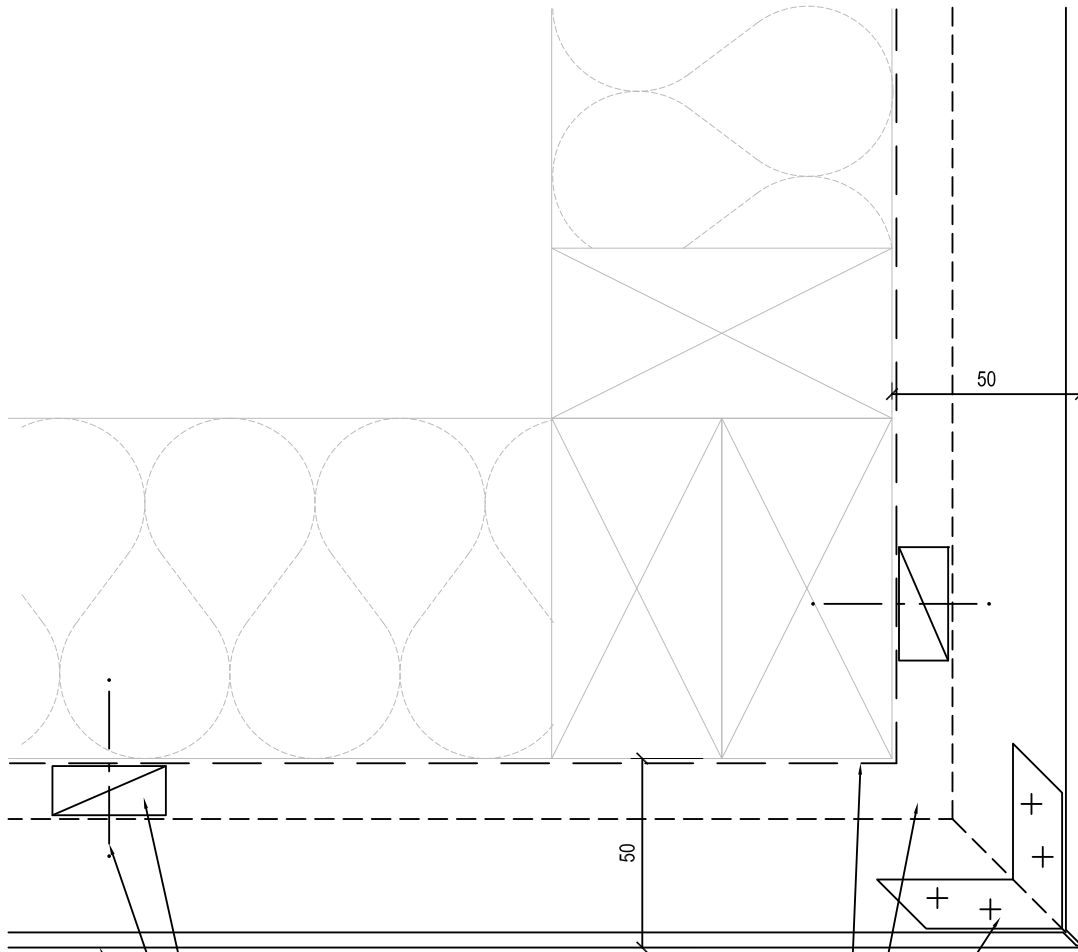
14 Link Drive
Waikau Valley
Auckland, New Zealand
09 415 2669
www.buildingagency.co.nz

DRAWING TITLE	ARCHITECTURAL RESOURCE
ACM / PRECAST JUNCTION DETAIL 2	SCALE @ A4: 1:2


DRAWING STATUS	SHEET NO.	ISSUE
ARCHITECTURAL RESOURCE	17	A
DATE: Jan, 2021		

Copyright © of this drawing shall remain the property of The Building Agency. No part of this document may be reproduced or transmitted by any means without the prior permission in writing of The Building Agency.

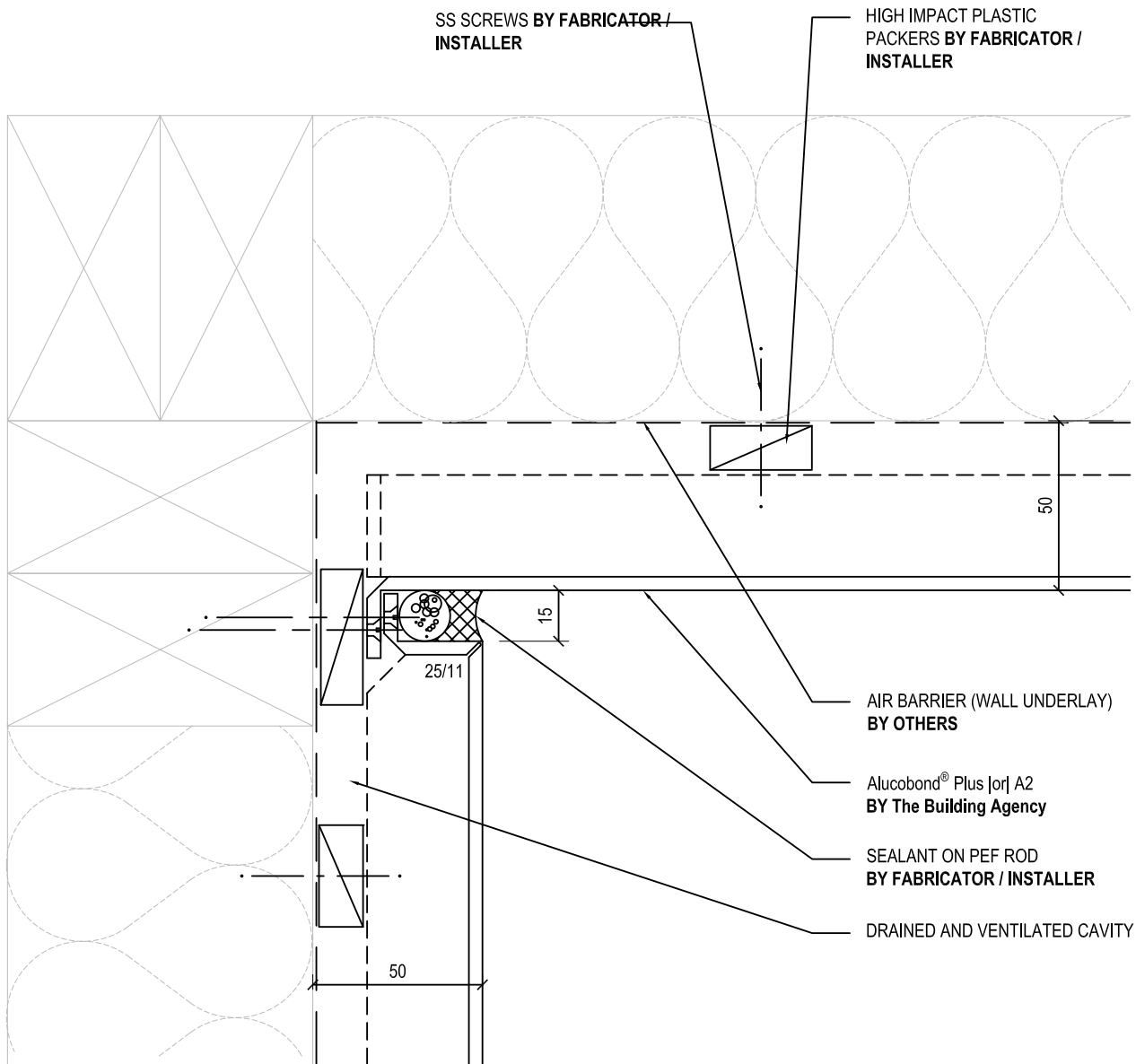
ROUT AND RETURN SYSTEM



- HIGH IMPACT PLASTIC PACKERS **BY FABRICATOR / INSTALLER**
- SS SCREWS **BY FABRICATOR / INSTALLER**
- Alucobond® Plus [or] A2 **BY The Building Agency**
- AIR BARRIER (WALL UNDERLAY) **BY OTHERS**
- DRAINED AND VENTILATED CAVITY
- FACTORY FITTED CLEATS AT PANEL FOLDS **BY FABRICATOR / INSTALLER**

 <p>THE BUILDING AGENCY 14 Link Drive Waikou Valley Auckland, New Zealand 09 415 2669 www.buildingagency.co.nz</p>	DRAWING TITLE	DRAWING STATUS					
	EXTERNAL CORNER DETAIL	ARCHITECTURAL RESOURCE	<table border="1" style="width: 100%; border-collapse: collapse;"> <tr> <td style="font-size: small;">SHEET NO.</td> <td style="font-size: small;">ISSUE</td> </tr> <tr> <td style="text-align: center; font-size: large;">18</td> <td style="text-align: center; font-size: large;">A</td> </tr> </table>	SHEET NO.	ISSUE	18	A
	SHEET NO.	ISSUE					
18	A						
Copyright © of this drawing shall remain the property of The Building Agency. No part of this document may be reproduced or transmitted by any means without the prior permission in writing of The Building Agency.		SCALE @ A4: 1:2	DATE: Jan, 2021				

ROUT AND RETURN SYSTEM



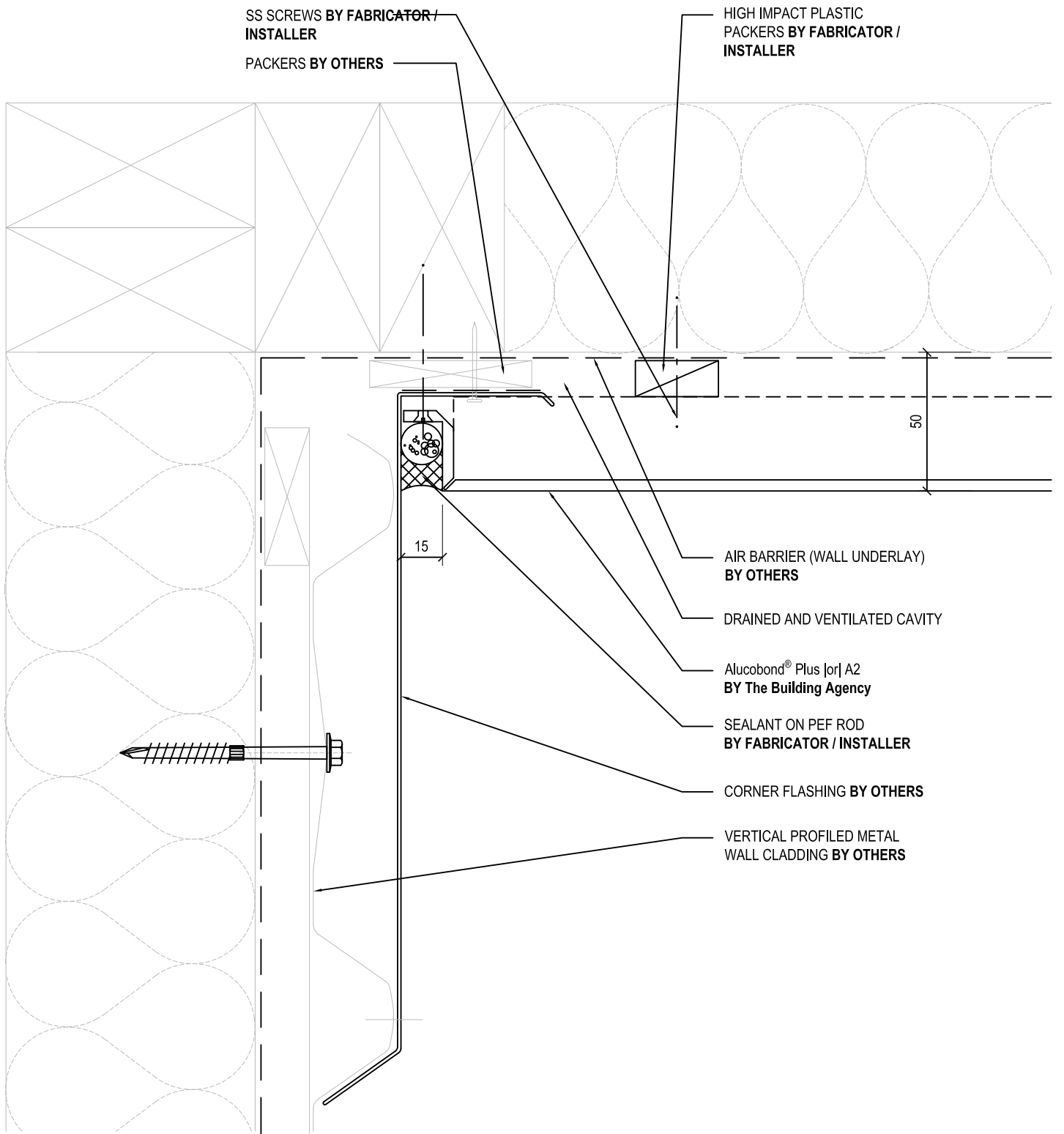
THE BUILDING AGENCY
 14 Link Drive
 Waiuku Valley
 Auckland, New Zealand
 09 415 2669
 www.buildingagency.co.nz

DRAWING TITLE	DRAWING STATUS
INTERNAL CORNER DETAIL 1	ARCHITECTURAL RESOURCE
	SCALE @ A4: 1:2

SHEET NO.	ISSUE
19	A
DATE: Jan, 2021	

Copyright © of this drawing shall remain the property of The Building Agency. No part of this document may be reproduced or transmitted by any means without the prior permission in writing of The Building Agency.

ROUT AND RETURN SYSTEM



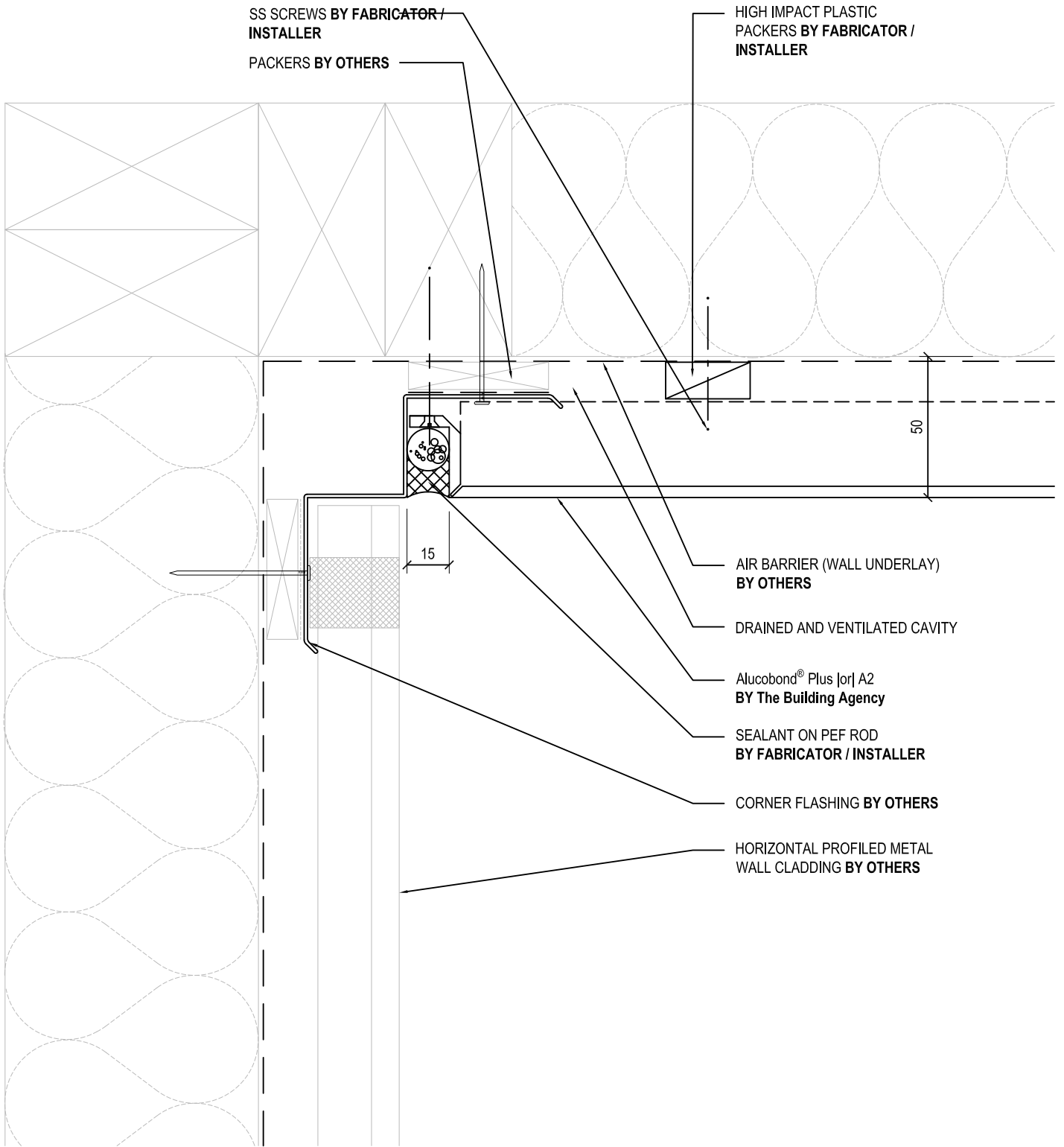
THE BUILDING AGENCY
 14 Link Drive
 Waiuku Valley
 Auckland, New Zealand
 09 415 2669
 www.buildingagency.co.nz

DRAWING TITLE	DRAWING STATUS
INTERNAL CORNER DETAIL 2	ARCHITECTURAL RESOURCE
	SCALE @ A4: 1:2

SHEET NO.	ISSUE
20	A
DATE: Jan, 2021	

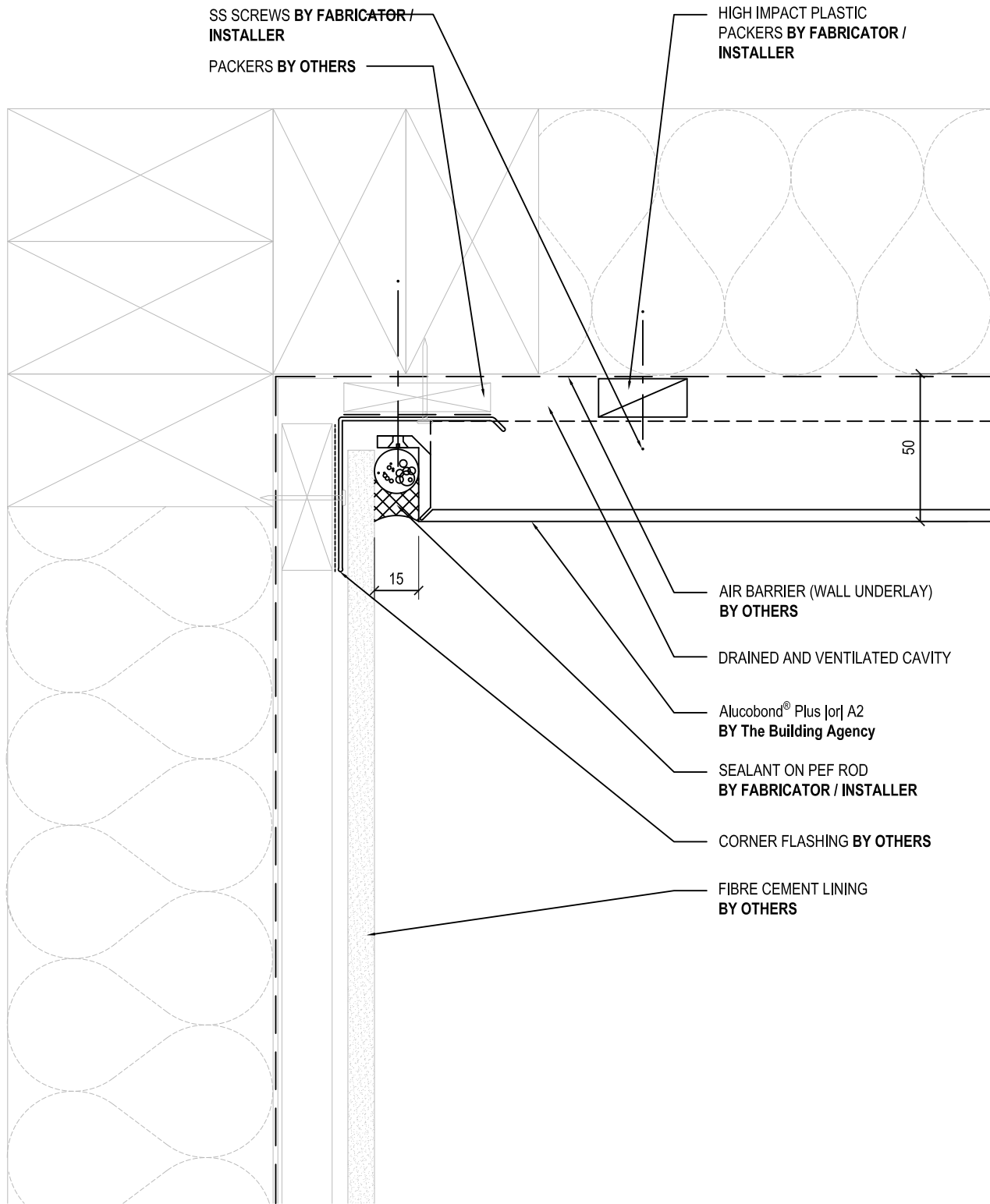
Copyright © of this drawing shall remain the property of The Building Agency. No part of this document may be reproduced or transmitted by any means without the prior permission in writing of The Building Agency.

ROUT AND RETURN SYSTEM



DRAWING TITLE		DRAWING STATUS	
INTERNAL CORNER DETAIL 3		ARCHITECTURAL RESOURCE	SHEET NO. 21
		SCALE @ A4: 1:2	ISSUE A
		DATE: Jan, 2021	

ROUT AND RETURN SYSTEM



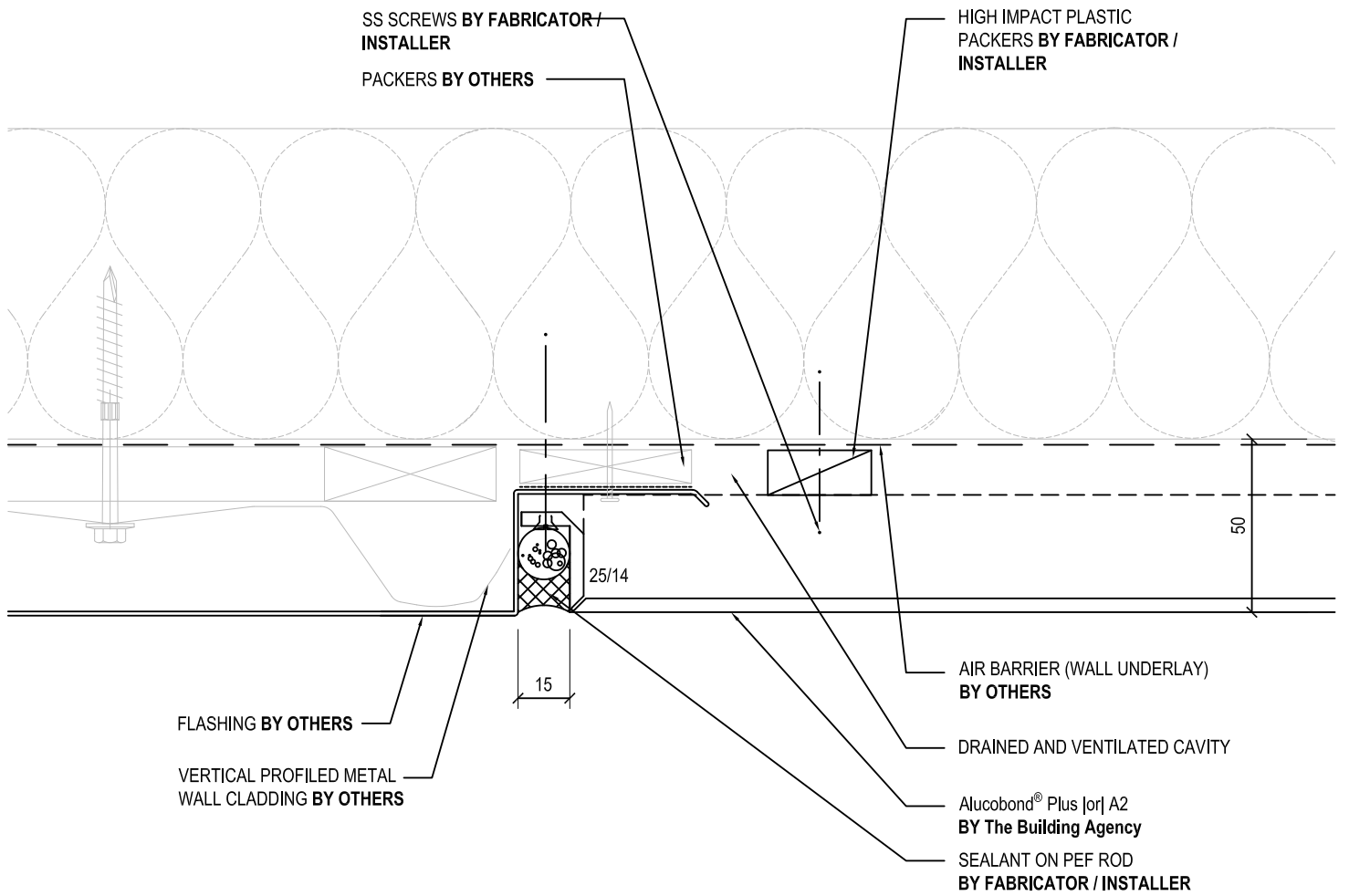
THE BUILDING AGENCY
 14 Link Drive
 Waiuku Valley
 Auckland, New Zealand
 09 415 2669
 www.buildingagency.co.nz

DRAWING TITLE	DRAWING STATUS
INTERNAL CORNER DETAIL 3	ARCHITECTURAL RESOURCE
	SCALE @ A4: 1:2

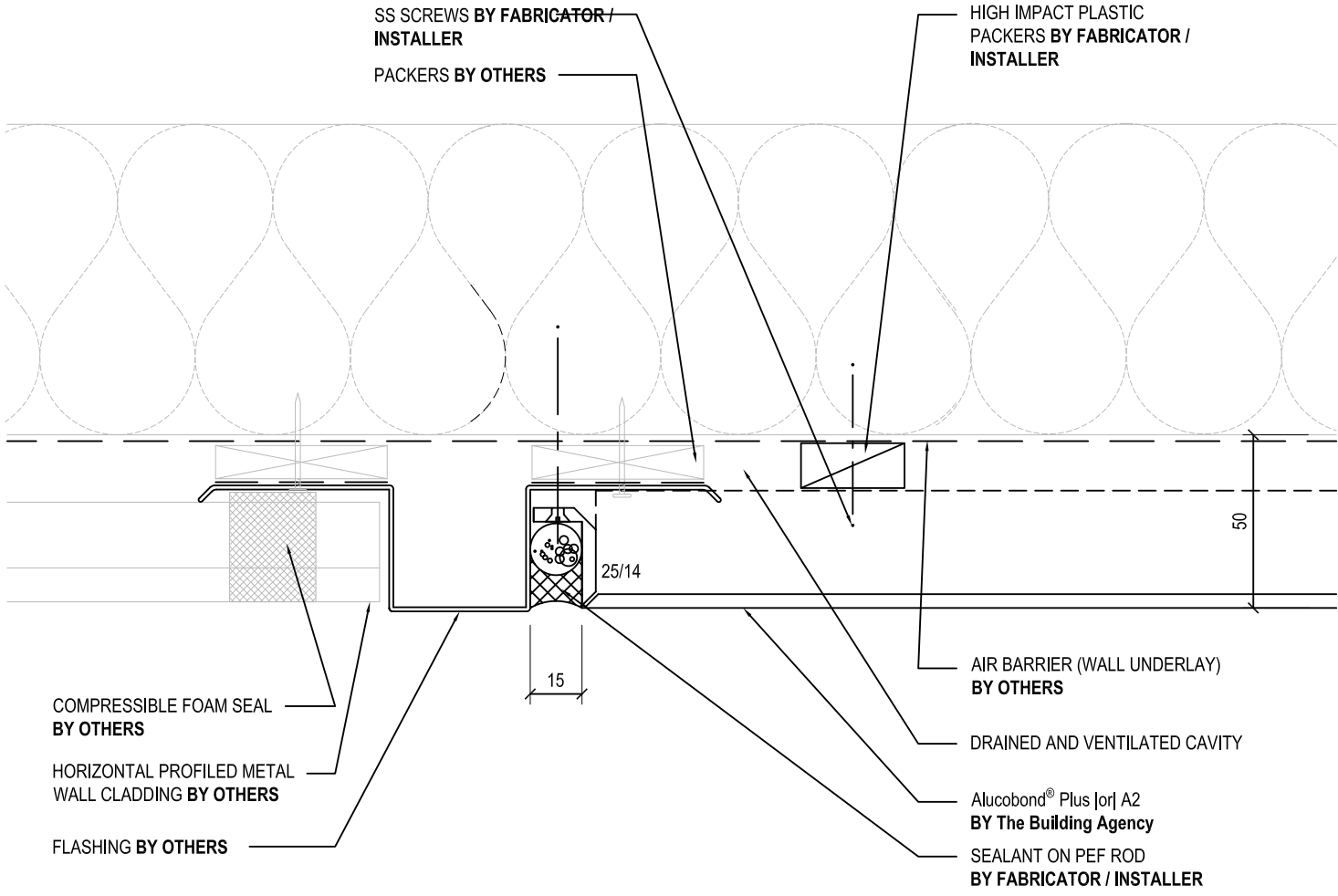
SHEET NO.	ISSUE
22	A
DATE: Jan, 2021	

Copyright © of this drawing shall remain the property of The Building Agency. No part of this document may be reproduced or transmitted by any means without the prior permission in writing of The Building Agency.

ROUT AND RETURN SYSTEM



ROUT AND RETURN SYSTEM



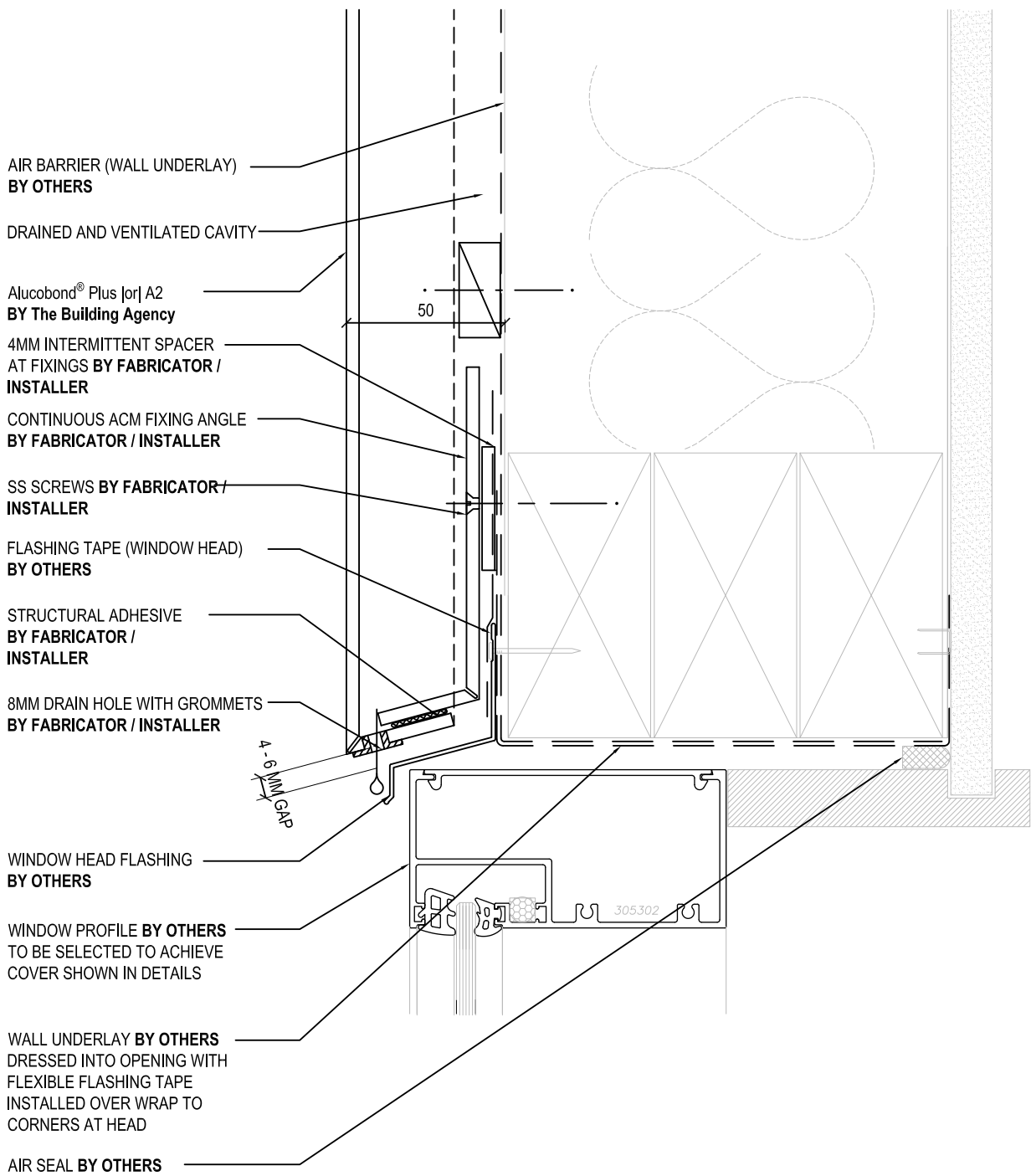
THE BUILDING AGENCY
 14 Link Drive
 Waiuku Valley
 Auckland, New Zealand
 09 415 2669
 www.buildingagency.co.nz

DRAWING TITLE	DRAWING STATUS
ACM / WALL JUNCTION DETAIL	ARCHITECTURAL RESOURCE
	SCALE @ A4: 1:2

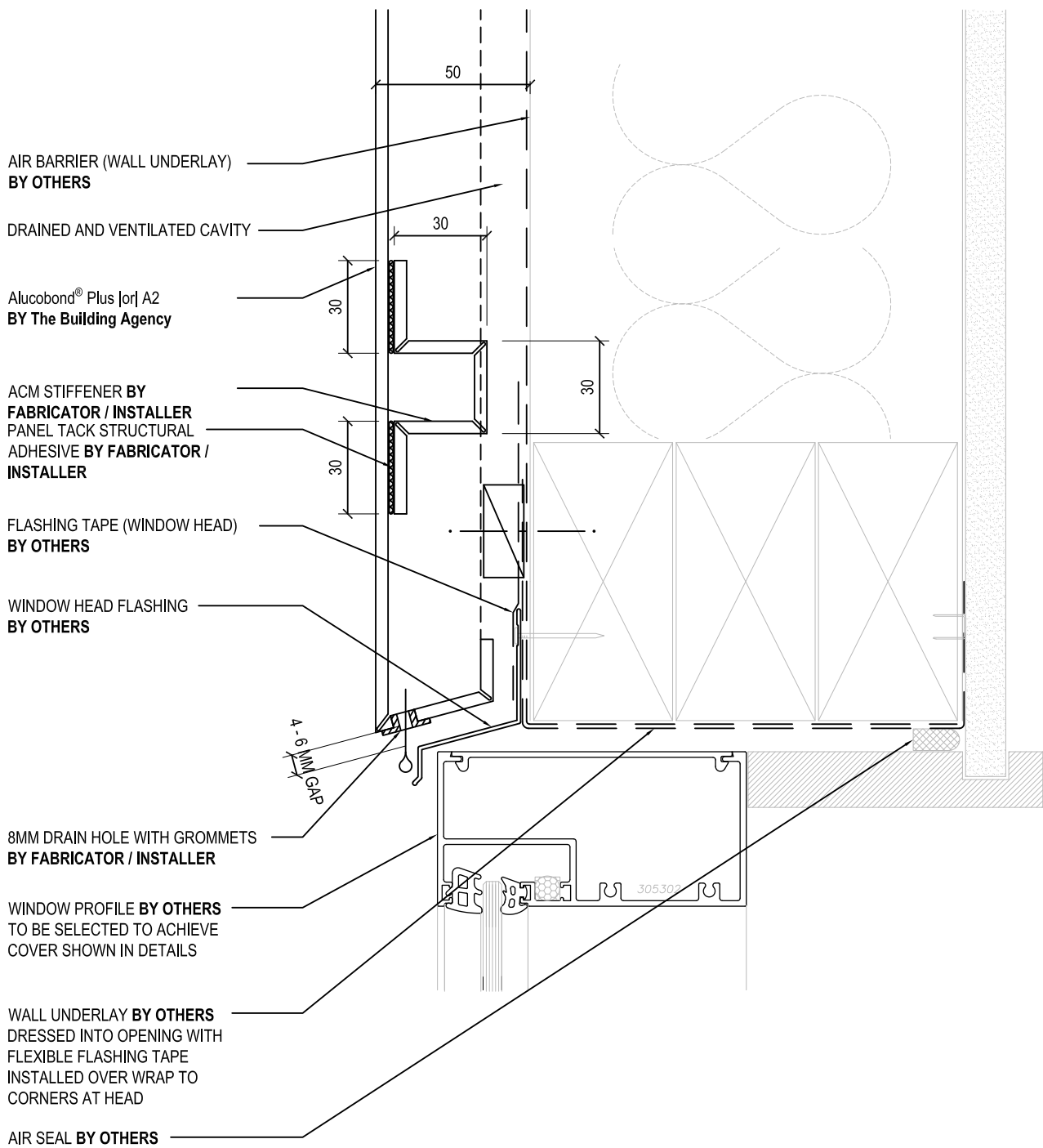
SHEET NO.	ISSUE
24	A
DATE: Jan, 2021	

Copyright © of this drawing shall remain the property of The Building Agency. No part of this document may be reproduced or transmitted in any form without the prior permission in writing of The Building Agency.

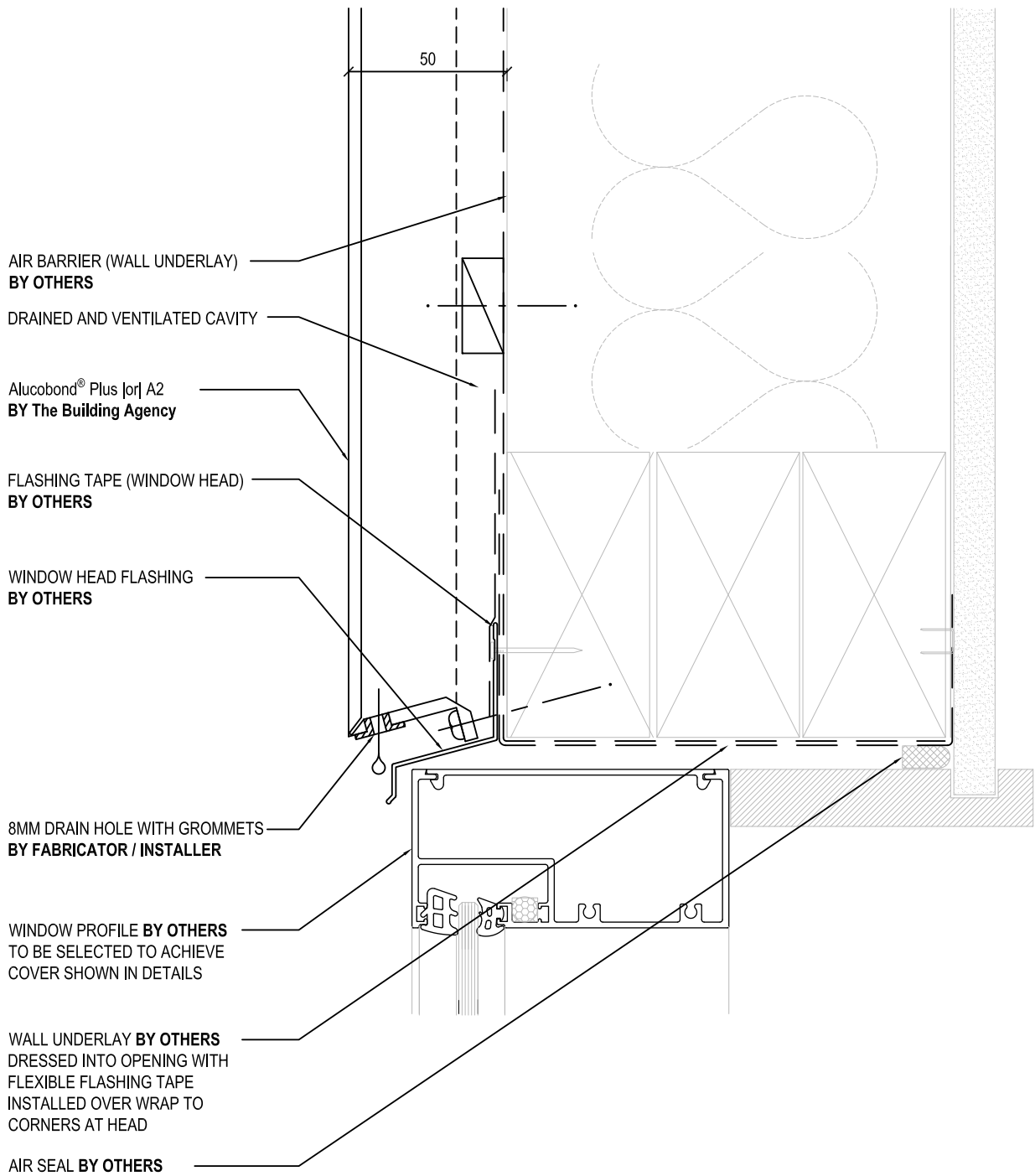
ROUT AND RETURN SYSTEM



ROUT AND RETURN SYSTEM



ROUT AND RETURN SYSTEM



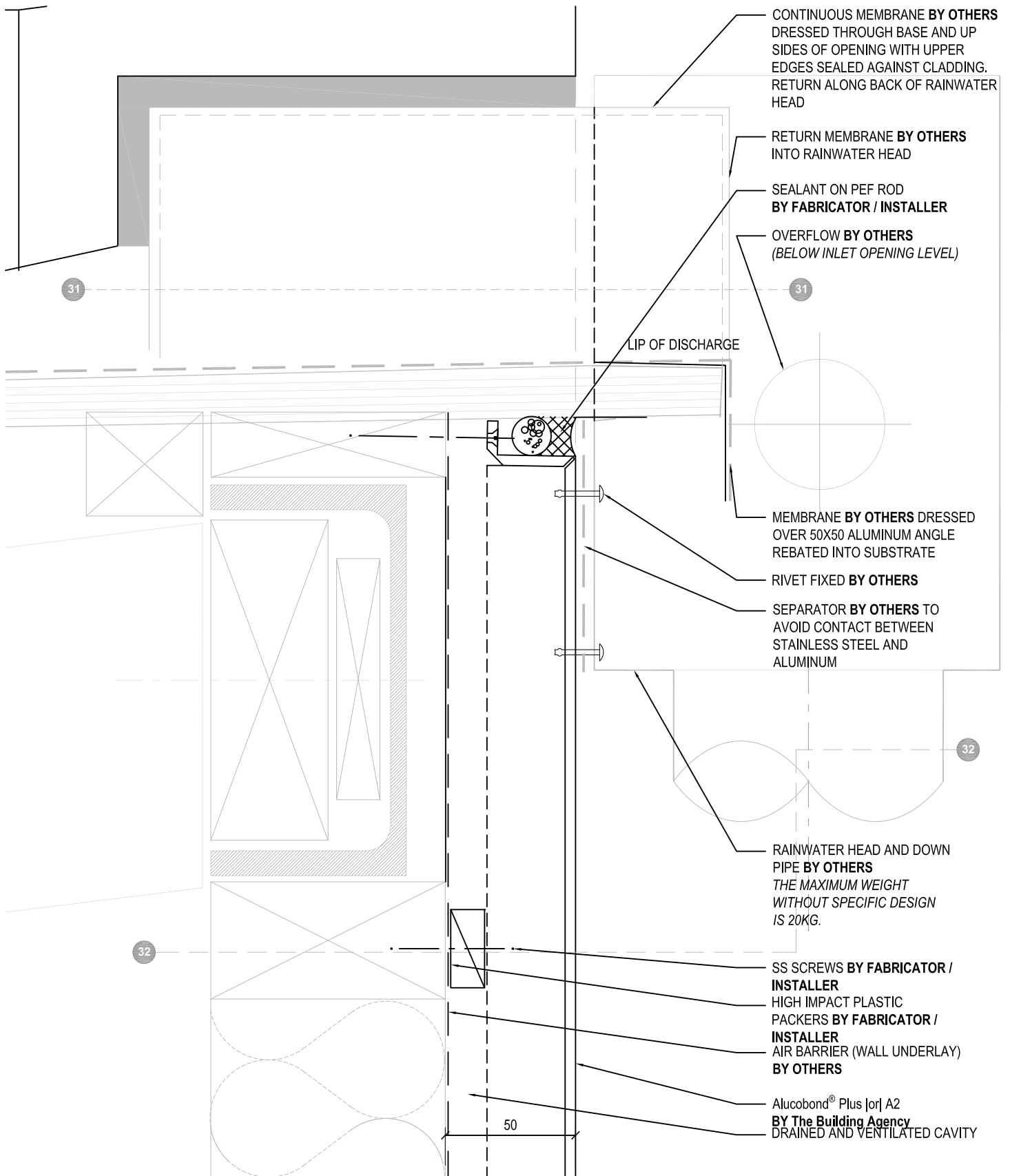
THE BUILDING AGENCY
 14 Link Drive
 Waiuku Valley
 Auckland, New Zealand
 09 415 2669
 www.buildingagency.co.nz

DRAWING TITLE	COMMERCIAL WINDOW HEAD DETAIL (ALTERNATIVE DETAIL)
----------------------	---

DRAWING STATUS		ARCHITECTURAL RESOURCE	SHEET NO. 27	ISSUE A
SCALE @ A4: 1:2		DATE: Jan, 2021		

Copyright © of this drawing shall remain the property of The Building Agency. No part of this document may be reproduced or transmitted by any means without the prior permission in writing of The Building Agency.

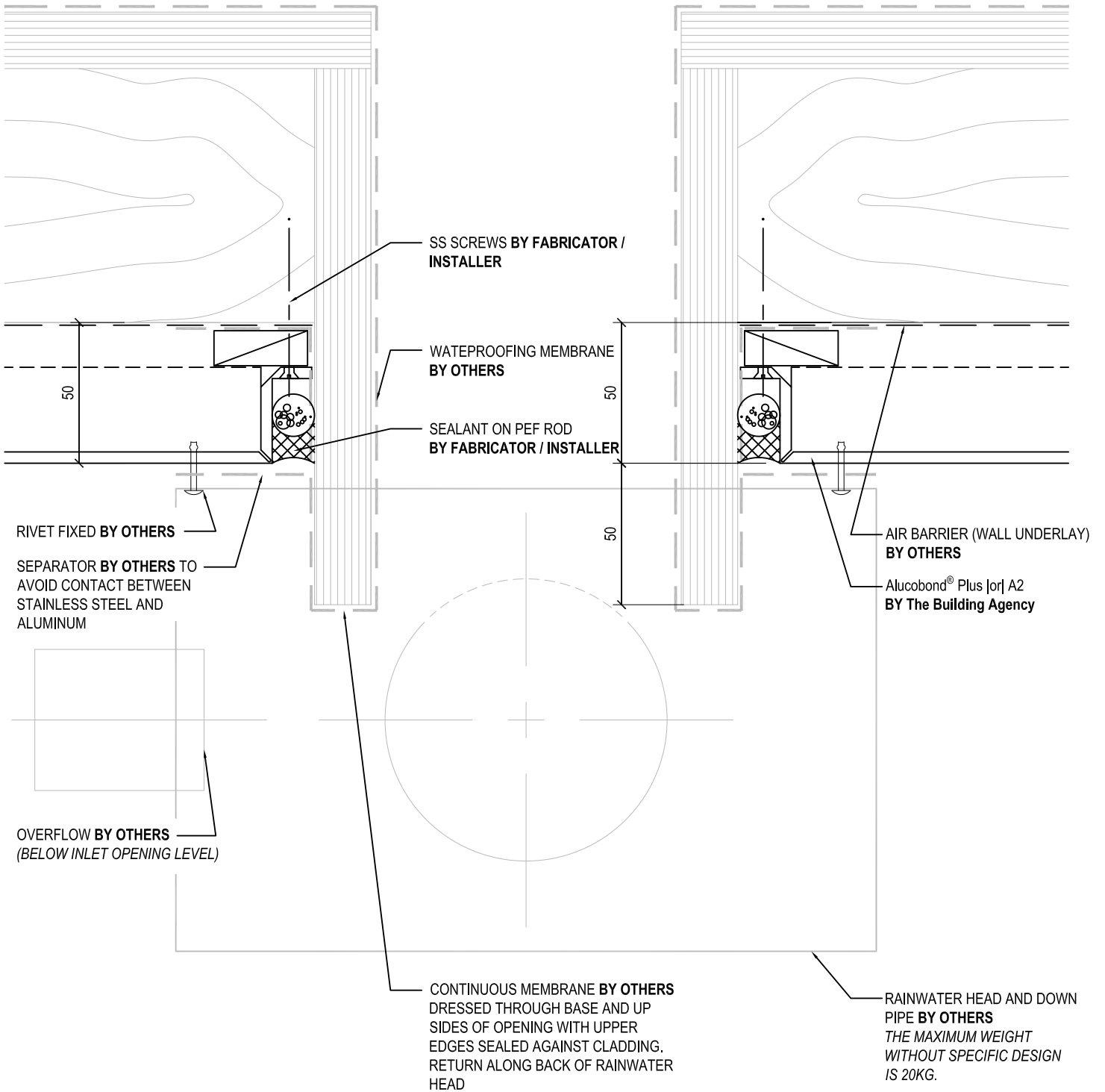
ROUT AND RETURN SYSTEM



NOTE

- TO BE READ WITH SHEET 31 & 32

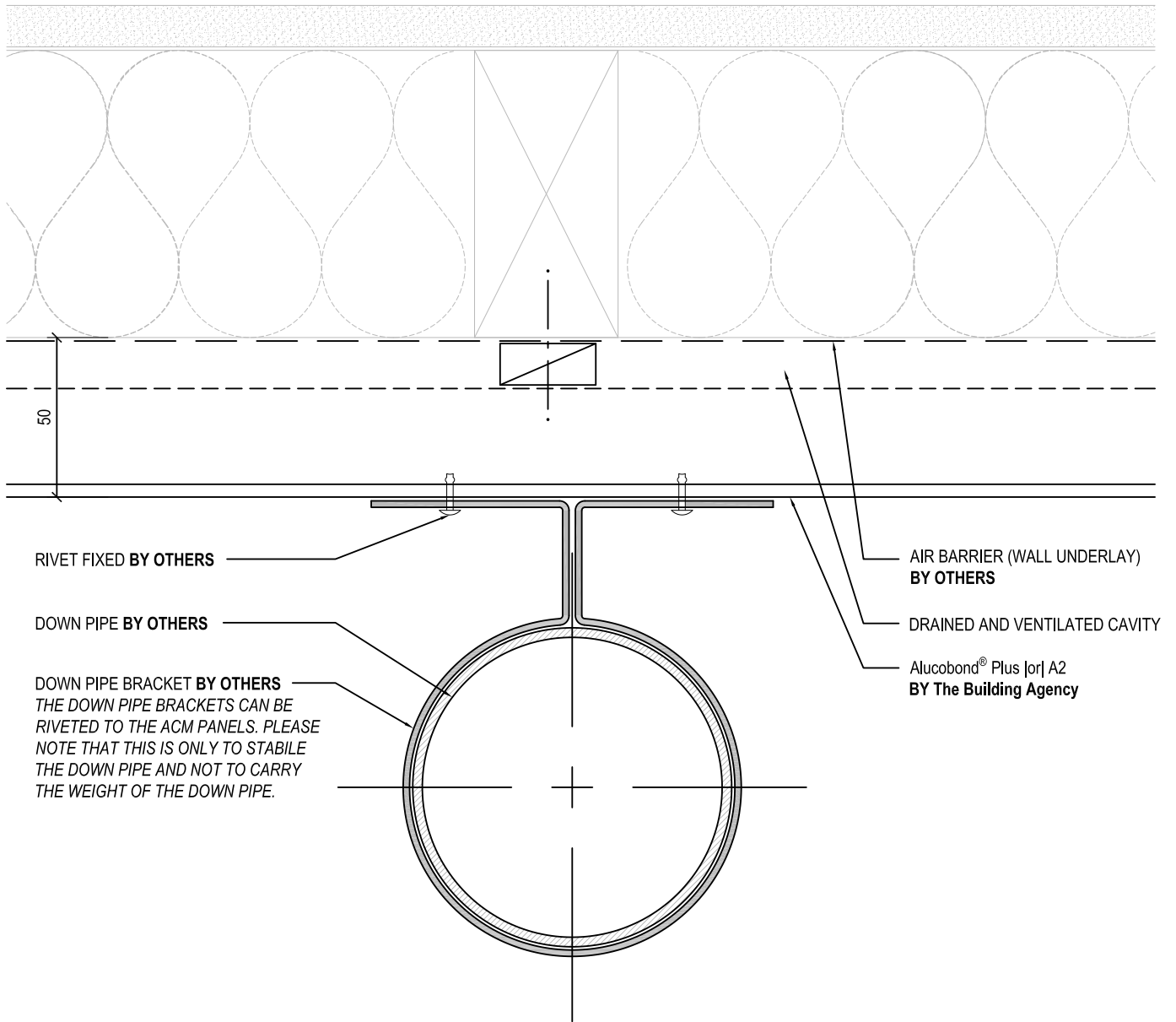
ROUT AND RETURN SYSTEM



NOTE

- TO BE READ WITH SHEET 30 & 32

ROUT AND RETURN SYSTEM



NOTE

- TO BE READ WITH SHEET 30 & 31

ROUT AND RETURN SYSTEM

NOTE

THIS DETAIL CAN ONLY BE USED WHERE THE PANEL CAN BE SLID OVER THE PIPE

Alucobond® Plus |or| A2
BY The Building Agency

ESCUTCHEON ACM PLATE TO NEAT FIT ON PIPE BY FABRICATOR / INSTALLER

SPECIFIED ACM ROLLED EDGE FINISH BY FABRICATOR / INSTALLER ALL AROUND PENETRATION

SEALANT ALL AROUND PENETRATION BY FABRICATOR / INSTALLER

PIPE BY OTHERS

SERRATED ALUMINIUM ANGLE SUPPORT ALL AROUND PENETRATION BY FABRICATOR / INSTALLER

±5 MM

EXISTING BUILDING LINE

Alucobond® Plus |or| A2
BY The Building Agency
TOPHAT LINE

ESCUTCHEON ACM PLATE TO NEAT FIT ON PIPE BY FABRICATOR / INSTALLER

PIPE MIN 20MMØ

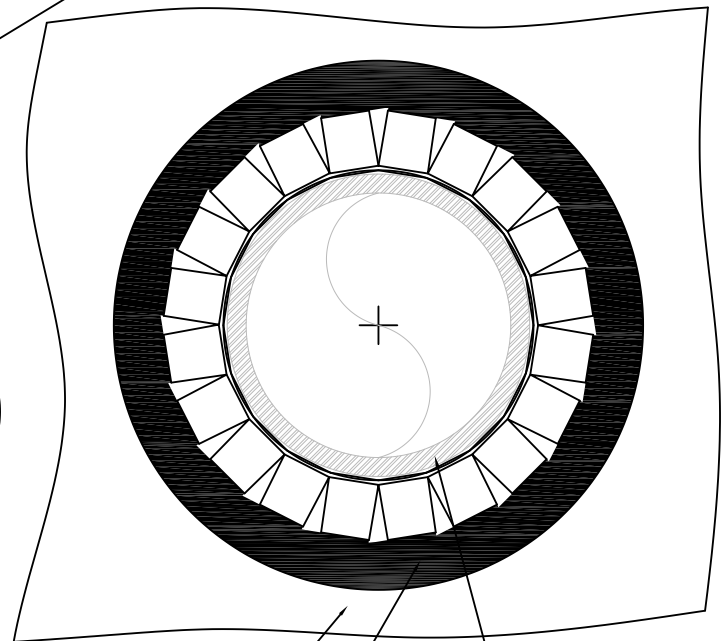
PIPE BY OTHERS

34

50

80

OUTSIDE SIDE ELEVATION INSIDE



Alucobond® Plus |or| A2
BY The Building Agency
ESCUTCHEON ACM PLATE TO NEAT FIT ON PIPE BY FABRICATOR / INSTALLER

PIPE BY OTHERS

BACK ELEVATION

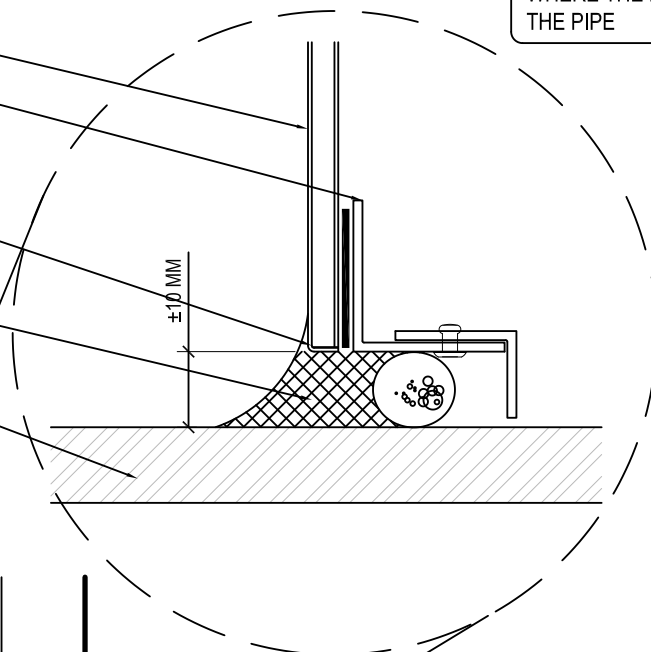
ROUT AND RETURN SYSTEM

NOTE

THIS DETAIL CAN ONLY BE USED WHERE THE PANEL CAN BE SLID OVER THE PIPE

Alucobond® Plus |or| A2
BY The Building Agency
 SERRATED ALUMINIUM ANGLE
 STRUCTURALLY GLUED FIXED
 WITH 3M VHB DOUBLE SIDED
 TAPE **BY FABRICATOR /**
INSTALLER
 SPECIFIED ACM ROLLED
 EDGE FINISH **BY**
FABRICATOR / INSTALLER
 ALL AROUND PENETRATION
 SEALANT ON PEF ROD
BY FABRICATOR / INSTALLER

PIPE **BY OTHERS**

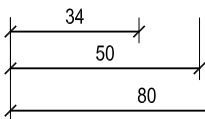


EXISTING BUILDING LINE

Alucobond® Plus |or| A2
BY The Building Agency
 TOPHAT LINE

PIPE MIN 80MMØ

PIPE **BY OTHERS**



OUTSIDE SIDE ELEVATION **INSIDE**

Alucobond® Plus |or| A2
BY The Building Agency
 SERRATED ALUMINIUM ANGLE
 STRUCTURALLY GLUED FIXED
 WITH 3M VHB DOUBLE SIDED
 TAPE **BY FABRICATOR /**
INSTALLER

PIPE **BY OTHERS**

SEALANT ON PEF ROD
BY FABRICATOR / INSTALLER

BACK ELEVATION

DRAWING TITLE	DRAWING STATUS
STANDARD PENETRATION (Minimum of 80 mm Ø)	ARCHITECTURAL RESOURCE
	SCALE @ A4: 1:2

SHEET NO.	ISSUE
34	A
DATE: Jan, 2021	

ROUT AND RETURN SYSTEM

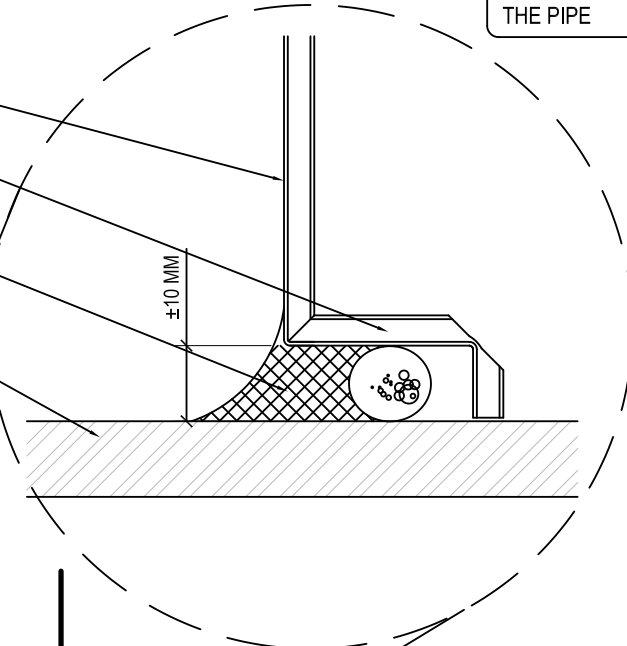
NOTE

THIS DETAIL CAN ONLY BE USED WHERE THE PANEL CAN BE SLID OVER THE PIPE

Alucobond® Plus |or| A2
BY The Building Agency
SERRATED STANDARD ACM LEG
BY FABRICATOR / INSTALLER

SEALANT ON PEF ROD
BY FABRICATOR / INSTALLER

PIPE BY OTHERS

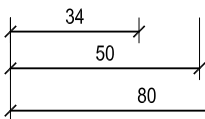


EXISTING BUILDING LINE

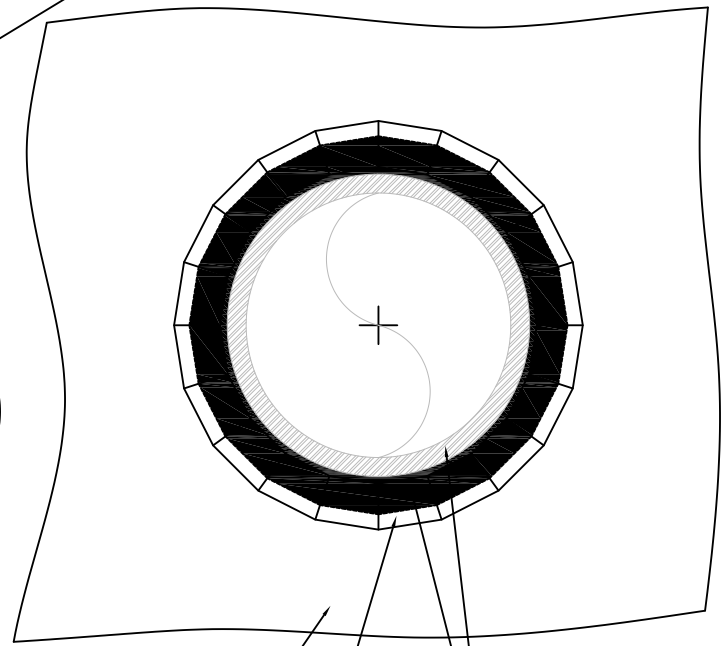
Alucobond® Plus |or| A2
BY The Building Agency
TOPHAT LINE

PIPE MIN 200MMØ

PIPE BY OTHERS



OUTSIDE SIDE ELEVATION INSIDE



Alucobond® Plus |or| A2
BY The Building Agency
SERRATED STANDARD ACM LEG
BY FABRICATOR / INSTALLER

PIPE BY OTHERS

SEALANT ON PEF ROD
BY FABRICATOR / INSTALLER

BACK ELEVATION

THE BUILDING AGENCY
MATERIALS • SYSTEMS • SOLUTIONS

14 Link Drive
Waikau Valley
Auckland, New Zealand
09 415 2669
www.buildingagency.co.nz

DRAWING TITLE	DRAWING STATUS
STANDARD PENETRATION (Minimum of 200 mm Ø)	ARCHITECTURAL RESOURCE
	SCALE @ A4: 1:2

SHEET NO.	ISSUE
35	A
DATE: Jan, 2021	

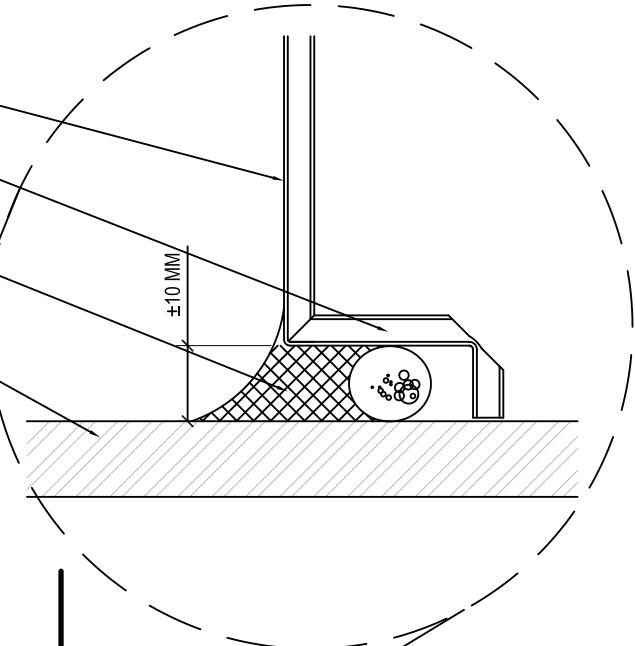
Copyright © of this drawing shall remain the property of The Building Agency. No part of this document may be reproduced or transmitted by any means without the prior permission in writing of The Building Agency.

ROUT AND RETURN SYSTEM

Alucobond® Plus |or| A2
BY The Building Agency
 SERRATED STANDARD ACM LEG
BY FABRICATOR / INSTALLER

SEALANT ON PEF ROD
BY FABRICATOR / INSTALLER

PIPE BY OTHERS

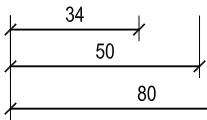


EXISTING BUILDING LINE

Alucobond® Plus |or| A2
BY The Building Agency
 TOPHAT LINE

PIPE MIN 200MMØ

PIPE BY OTHERS

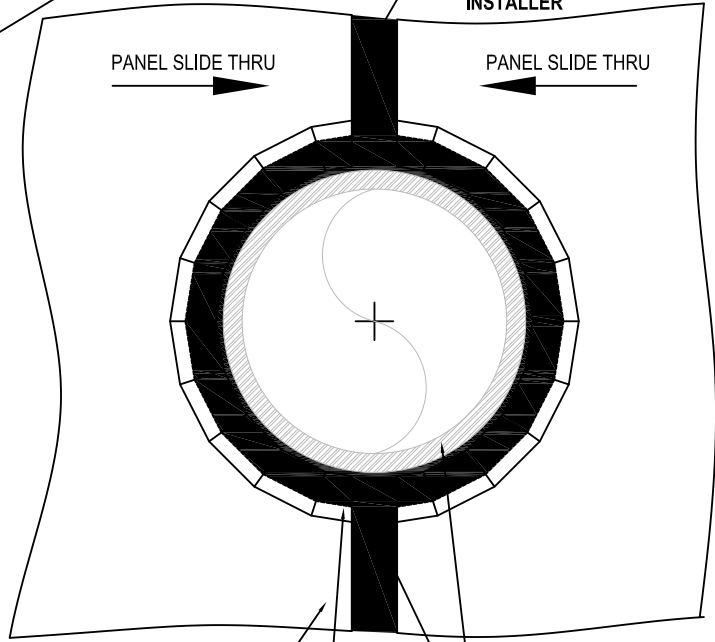


OUTSIDE SIDE ELEVATION INSIDE

15MM STANDARD JOINT
BY FABRICATOR / INSTALLER

PANEL SLIDE THRU

PANEL SLIDE THRU



Alucobond® Plus |or| A2
BY The Building Agency
 SERRATED STANDARD ACM LEG
BY FABRICATOR / INSTALLER

PIPE BY OTHERS

SEALANT ON PEF ROD
BY FABRICATOR / INSTALLER

BACK ELEVATION

THE BUILDING AGENCY
 14 Link Drive
 Waikau Valley
 Auckland, New Zealand
 09 415 2669
 www.buildingagency.co.nz

DRAWING TITLE	DRAWING STATUS
STANDARD PENETRATION (Minimum of 200 mm Ø)	ARCHITECTURAL RESOURCE
SCALE @ A4: 1:2	SHEET NO. 36
	ISSUE A
	DATE: Jan, 2021

ROUT AND RETURN SYSTEM

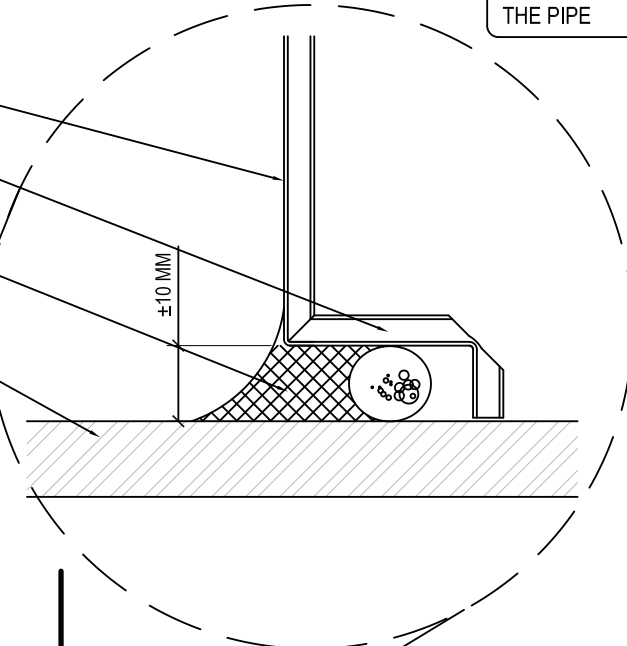
NOTE

THIS DETAIL CAN ONLY BE USED WHERE THE PANEL CAN BE SLID OVER THE PIPE

Alucobond® Plus |or| A2
BY The Building Agency
SERRATED STANDARD ACM LEG
BY FABRICATOR / INSTALLER

SEALANT ON PEF ROD
BY FABRICATOR / INSTALLER

RHS OR SHS PIPE
BY OTHERS

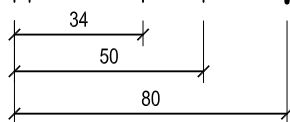


EXISTING BUILDING LINE

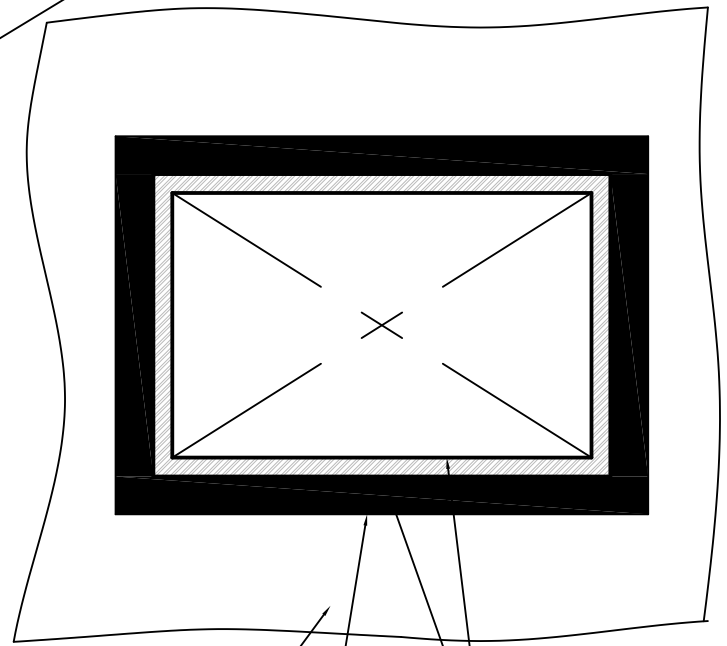
Alucobond® Plus |or| A2
BY The Building Agency
TOPHAT LINE

HEIGHT

RHS OR SHS PIPE
BY OTHERS



OUTSIDE SIDE ELEVATION INSIDE



Alucobond® Plus |or| A2
BY The Building Agency

SERRATED STANDARD ACM LEG
BY FABRICATOR / INSTALLER

RHS OR SHS PIPE
BY OTHERS

SEALANT ON PEF ROD
BY FABRICATOR / INSTALLER

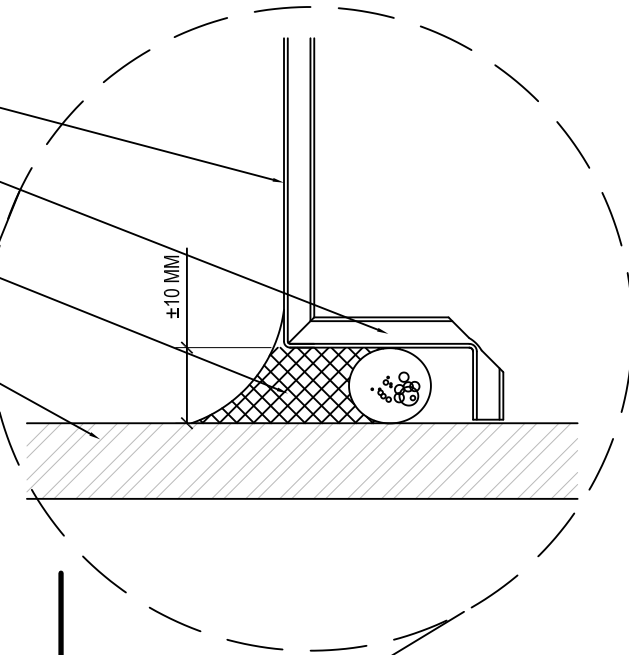
BACK ELEVATION

ROUT AND RETURN SYSTEM

Alucobond® Plus |or| A2
BY The Building Agency
 SERRATED STANDARD ACM LEG
BY FABRICATOR / INSTALLER

SEALANT ON PEF ROD
BY FABRICATOR / INSTALLER

RHS OR SHS PIPE
BY OTHERS



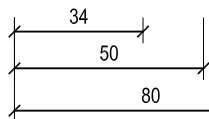
EXISTING BUILDING LINE

Alucobond® Plus |or| A2
BY The Building Agency

TOPHAT LINE

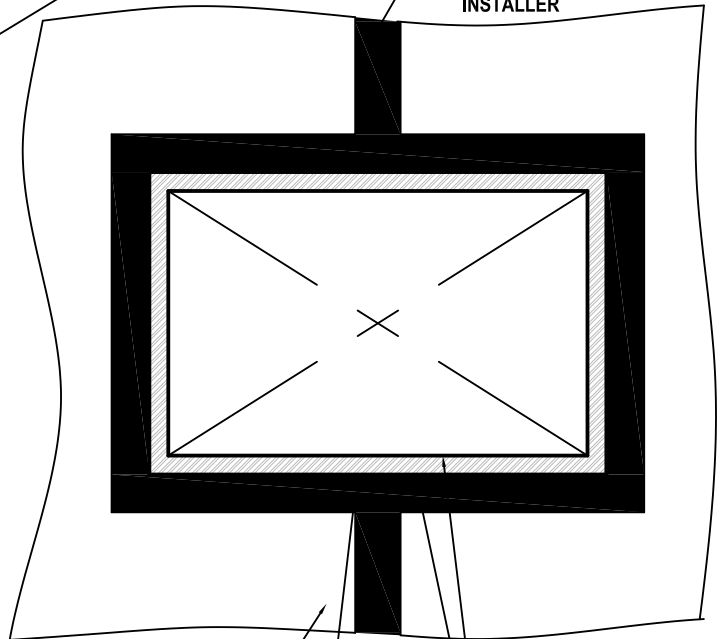
HEIGHT

RHS OR SHS PIPE
BY OTHERS



OUTSIDE SIDE ELEVATION INSIDE

15MM STANDARD JOINT
BY FABRICATOR / INSTALLER



Alucobond® Plus |or| A2
BY The Building Agency

SERRATED STANDARD ACM LEG
BY FABRICATOR / INSTALLER

RHS OR SHS PIPE
BY OTHERS

SEALANT ON PEF ROD
BY FABRICATOR / INSTALLER

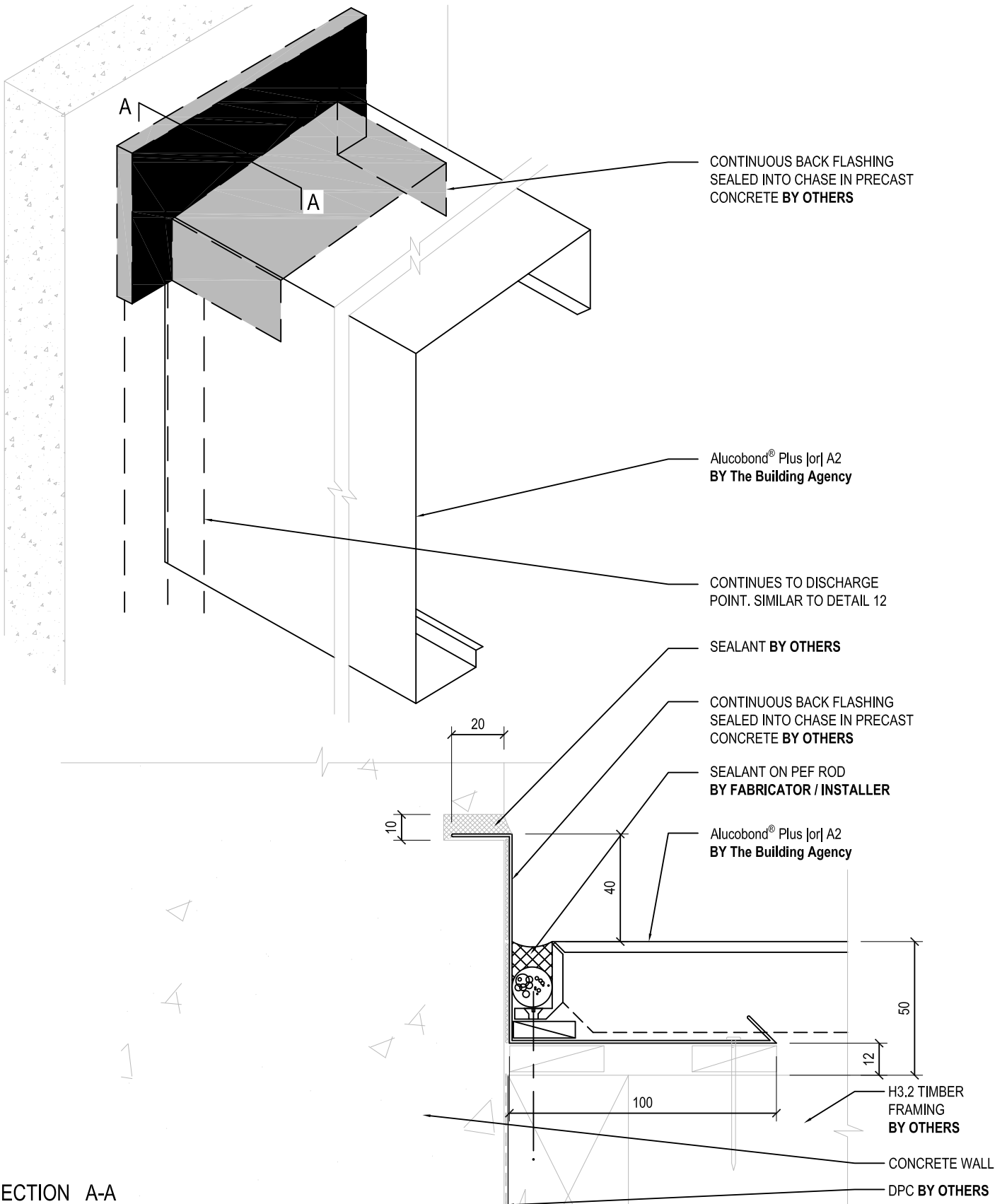
BACK ELEVATION

THE BUILDING AGENCY
 14 Link Drive
 Waiuku Valley
 Auckland, New Zealand
 09 415 2669
 www.buildingagency.co.nz


DRAWING TITLE	DRAWING STATUS
STANDARD PENETRATION (RHS OR SHS PIPE SECTION)	ARCHITECTURAL RESOURCE
SCALE @ A4: 1:2	DATE: Jan, 2021

SHEET NO.	ISSUE
38	A

ROUT AND RETURN SYSTEM

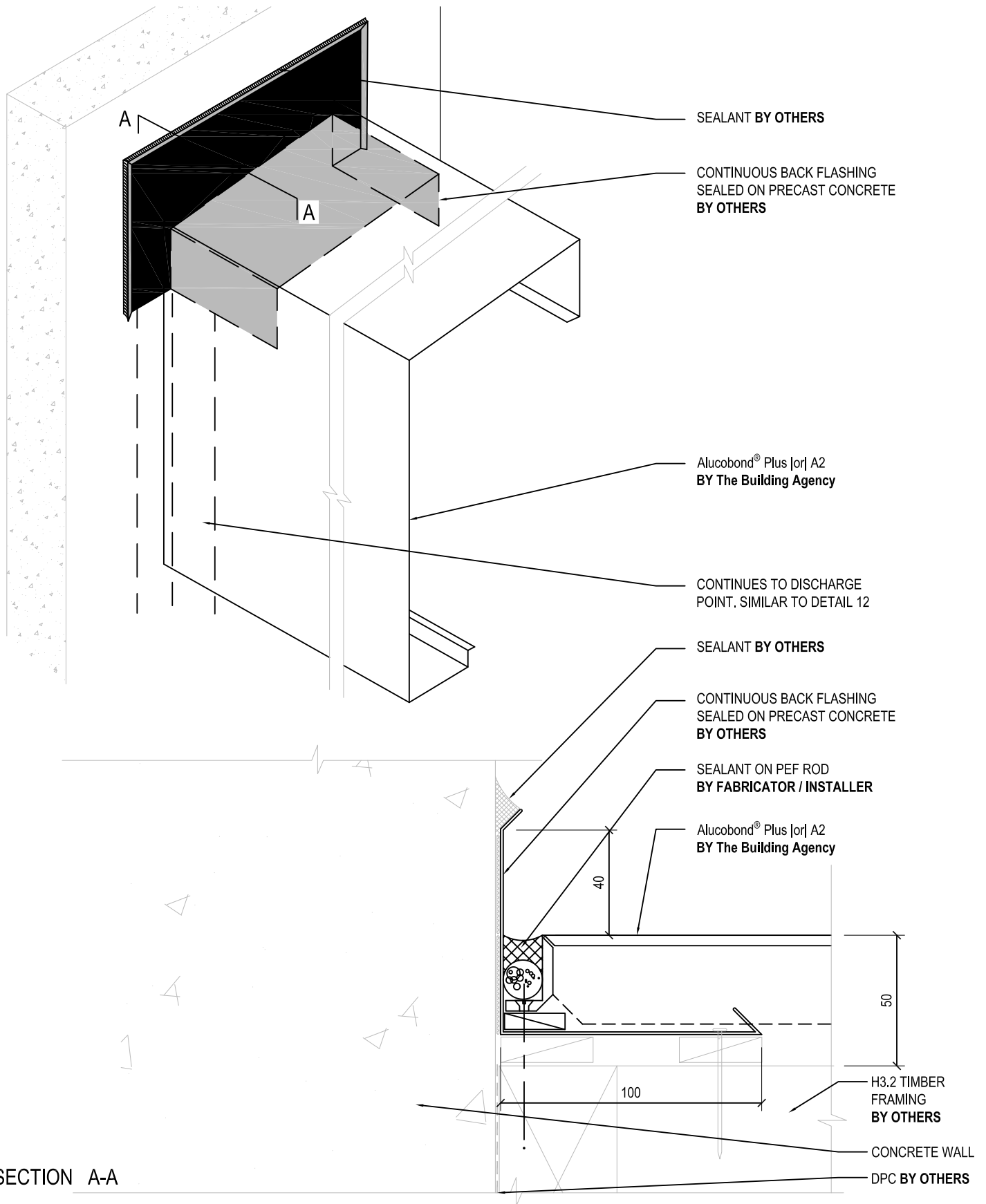


NOTE

 <p>14 Link Drive Waikou Valley Auckland, New Zealand 09 415 2669 www.buildingagency.co.nz</p>	DRAWING TITLE	DRAWING STATUS	
	<p>SADDLE FLASHING CHASED TO CONCRETE</p>	<p>ARCHITECTURAL RESOURCE</p>	
		<p>SCALE @ A4: 1:2</p>	<p>SHEET NO. 39</p>
<p>DATE: Jan, 2021</p>			

Copyright © of this drawing shall remain the property of The Building Agency. No part of this document may be reproduced or transmitted by any means without the prior permission in writing of The Building Agency.

ROUT AND RETURN SYSTEM



SECTION A-A

THE BUILDING AGENCY
 MATERIALS • SYSTEMS • SOLUTIONS

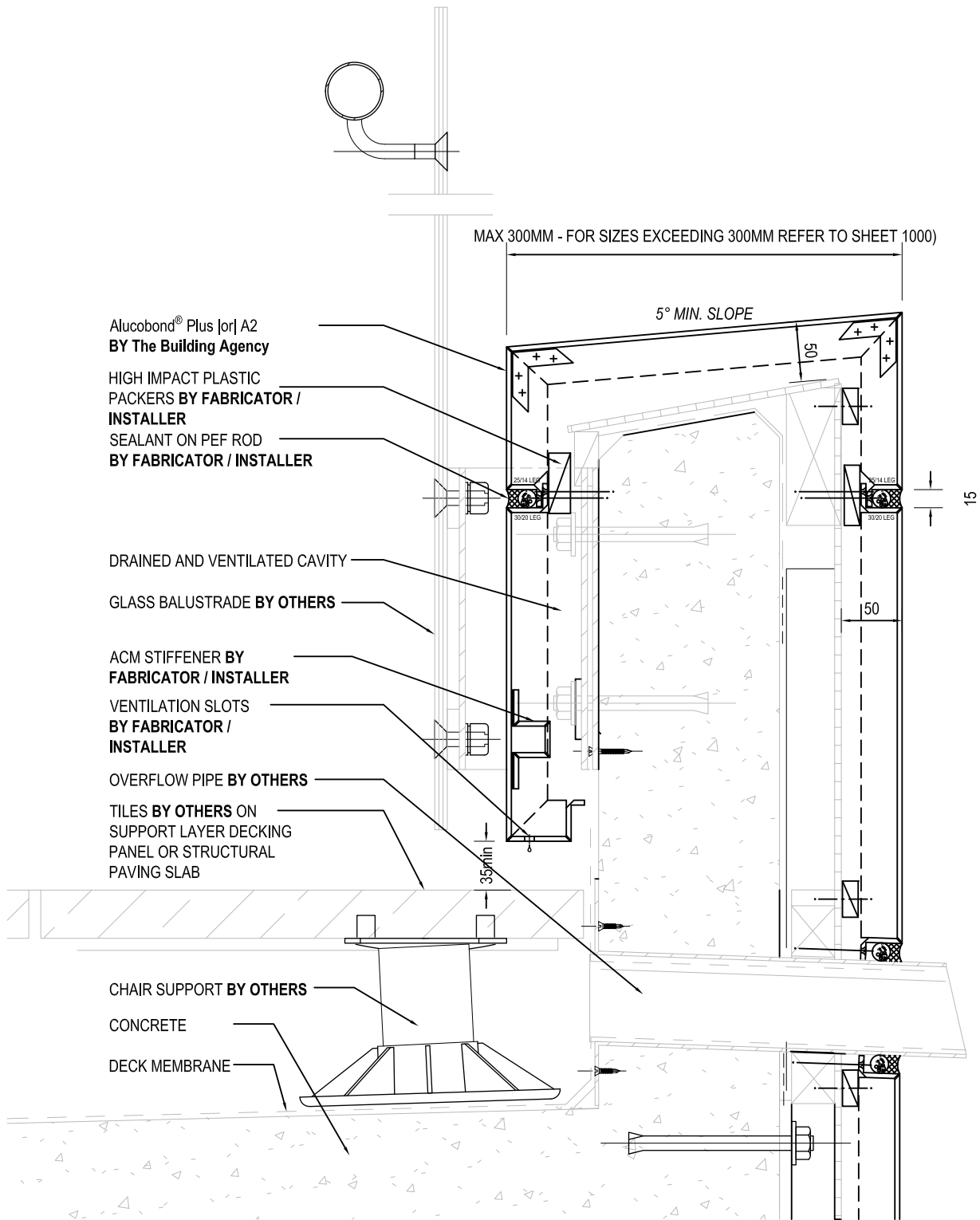
14 Link Drive
 Waiuku Valley
 Auckland, New Zealand
 09 415 2669
 www.buildingagency.co.nz

DRAWING TITLE	DRAWING STATUS
SADDLE FLASHING IN BIRD BEAK	ARCHITECTURAL RESOURCE
SCALE @ A4: 1:2	

SHEET NO.	ISSUE
40	A
DATE: Jan, 2021	

Copyright © of this drawing shall remain the property of The Building Agency. No part of this document may be reproduced or transmitted by any means without the prior permission in writing of The Building Agency.

ROUT AND RETURN SYSTEM



Alucobond® Plus for A2
BY The Building Agency
 HIGH IMPACT PLASTIC
 PACKERS **BY FABRICATOR /**
INSTALLER
 SEALANT ON PEF ROD
BY FABRICATOR / INSTALLER

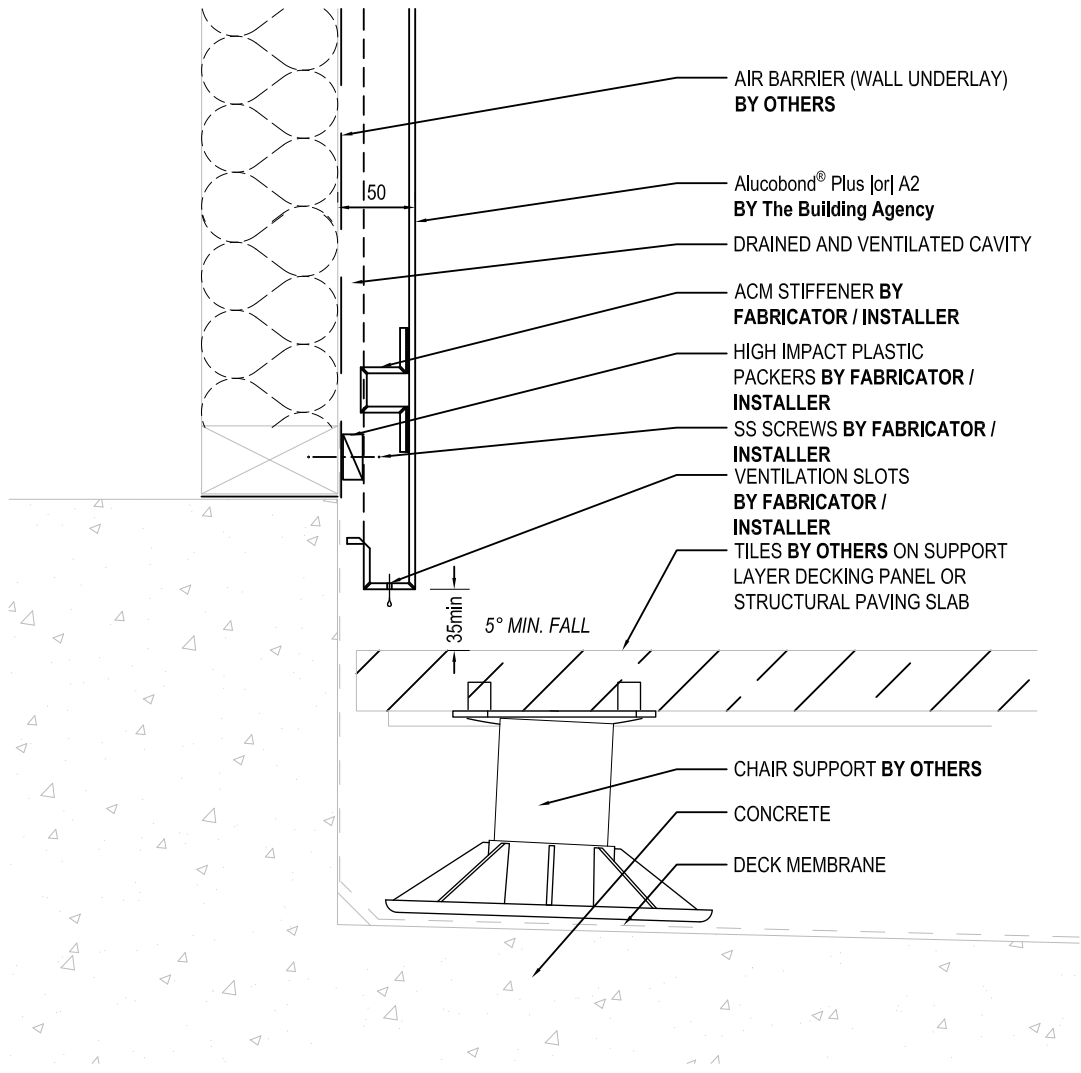
DRAINED AND VENTILATED CAVITY
 GLASS BALUSTRADE **BY OTHERS**

ACM STIFFENER **BY**
FABRICATOR / INSTALLER
 VENTILATION SLOTS
BY FABRICATOR /
INSTALLER

OVERFLOW PIPE **BY OTHERS**
 TILES **BY OTHERS** ON
 SUPPORT LAYER DECKING
 PANEL OR STRUCTURAL
 PAVING SLAB

CHAIR SUPPORT **BY OTHERS**
 CONCRETE
 DECK MEMBRANE

ROUT AND RETURN SYSTEM



AIR BARRIER (WALL UNDERLAY)
BY OTHERS

Alucobond® Plus |or| A2
BY The Building Agency

DRAINED AND VENTILATED CAVITY

ACM STIFFENER BY
FABRICATOR / INSTALLER

HIGH IMPACT PLASTIC
PACKERS BY FABRICATOR /
INSTALLER

SS SCREWS BY FABRICATOR /
INSTALLER

VENTILATION SLOTS
BY FABRICATOR /
INSTALLER

TILES BY OTHERS ON SUPPORT
LAYER DECKING PANEL OR
STRUCTURAL PAVING SLAB

35mm
5° MIN. FALL

CHAIR SUPPORT BY OTHERS

CONCRETE

DECK MEMBRANE

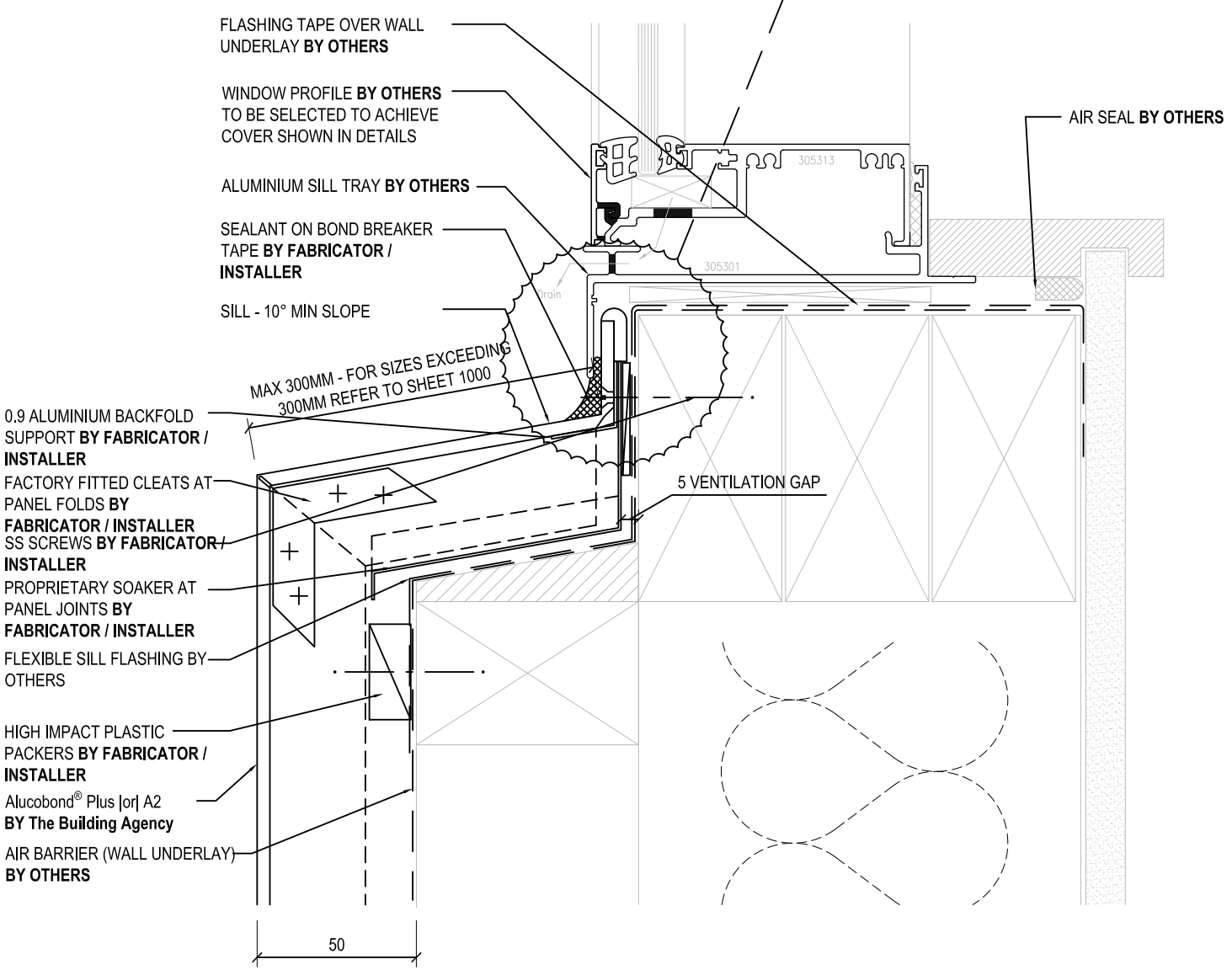
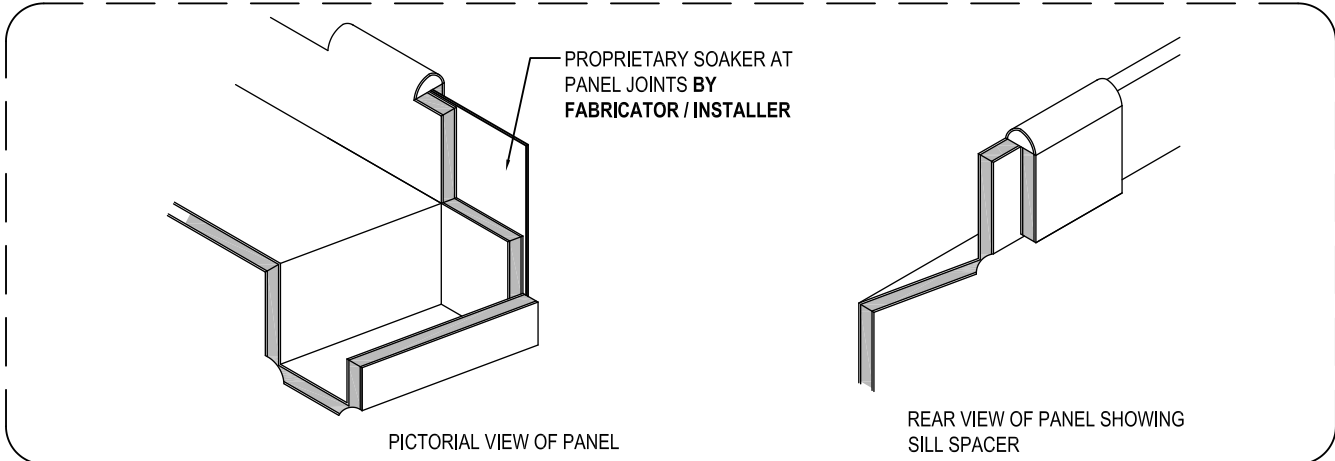
THE BUILDING AGENCY
14 Link Drive
Waiuku Valley
Auckland, New Zealand
09 415 2669
www.buildingagency.co.nz

DRAWING TITLE	SAMPLE DECK DETAIL	DRAWING STATUS
		ARCHITECTURAL RESOURCE
		SCALE @ A4: 1:5

<small>SHEET NO.</small>	42	<small>ISSUE</small>	A	
				<small>DATE: Jan, 2021</small>

Copyright © of this drawing shall remain the property of The Building Agency. No part of this document may be reproduced or transmitted by any means without the prior permission in writing of The Building Agency.

ROUT AND RETURN SYSTEM



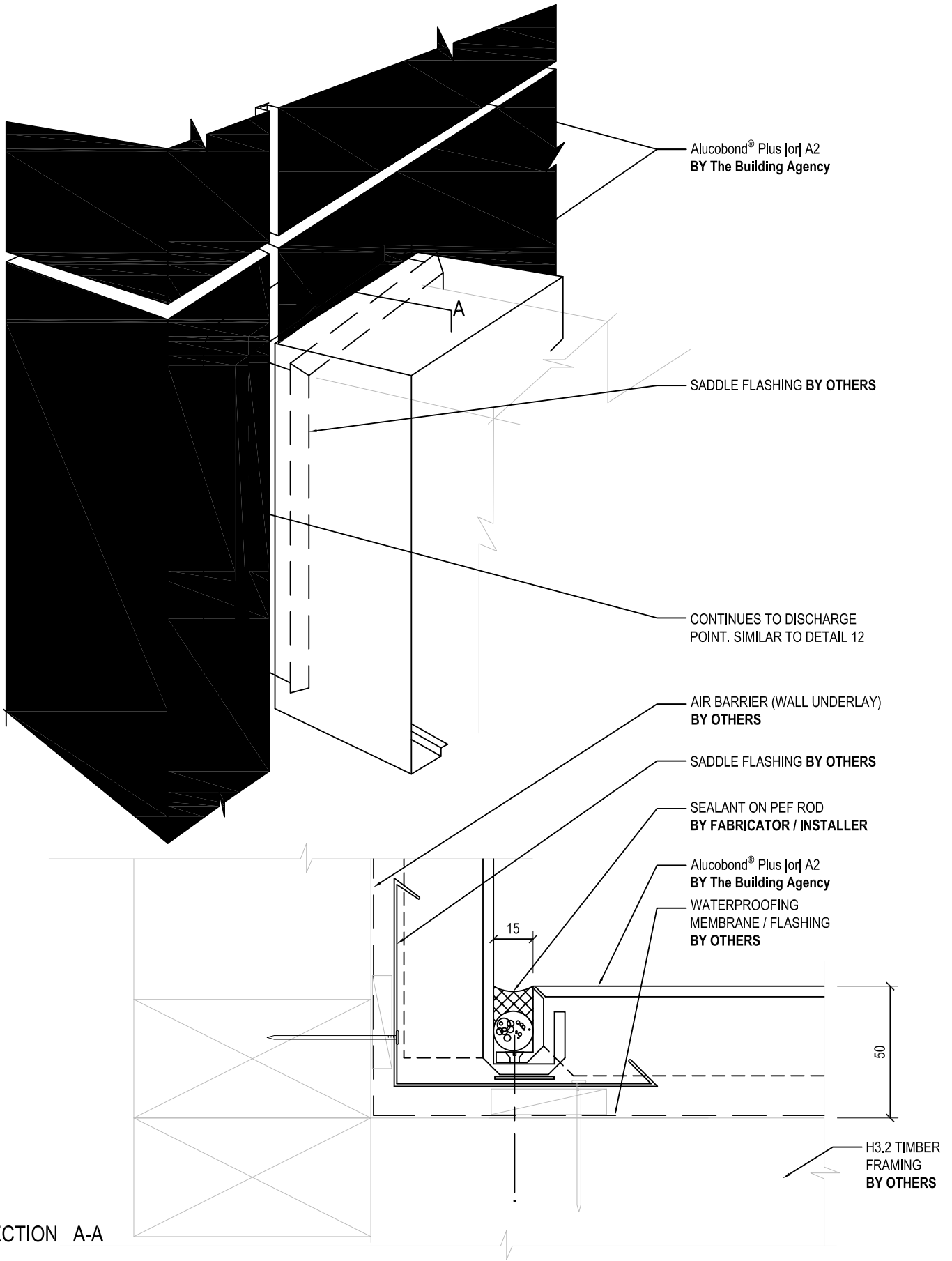
THE BUILDING AGENCY
 14 Link Drive
 Waiuku Valley
 Auckland, New Zealand
 09 415 2669
 www.buildingagency.co.nz

DRAWING TITLE	COMMERCIAL WINDOW SILL DETAIL - RECESSED
---------------	--

DRAWING STATUS	ARCHITECTURAL RESOURCE
SHEET NO.	43
ISSUE	A
SCALE @ A4:	1:2
DATE:	Jan, 2021

Copyright © of this drawing shall remain the property of The Building Agency. No part of this document may be reproduced or transmitted by any means without the prior permission in writing of The Building Agency.

ROUT AND RETURN SYSTEM



THE BUILDING AGENCY
MATERIALS • SYSTEMS • SOLUTIONS

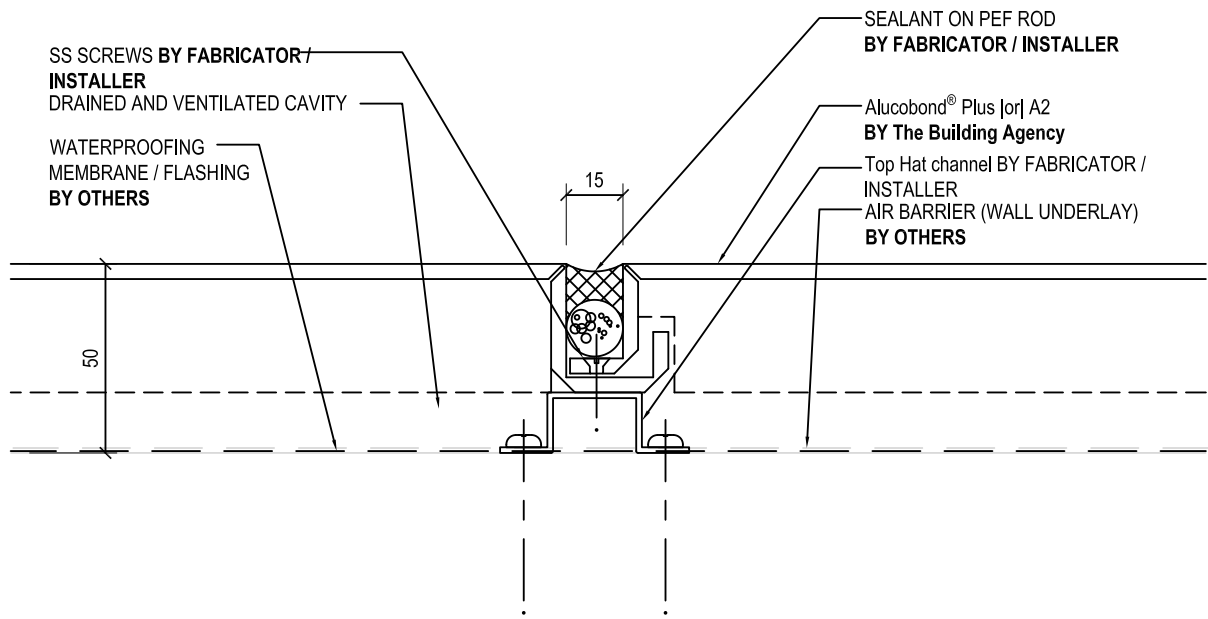
14 Link Drive
Waikau Valley
Auckland, New Zealand
09 415 2669
www.buildingagency.co.nz

DRAWING TITLE	ACM TO ACM CONNECTION
---------------	-----------------------

DRAWING STATUS		SHEET NO.	ISSUE
ARCHITECTURAL RESOURCE		44	A
SCALE @ A4: 1:2		DATE: Jan, 2021	

Copyright © of this drawing shall remain the property of The Building Agency. No part of this document may be reproduced or transmitted by any means without the prior permission in writing of The Building Agency.

ROUT AND RETURN SYSTEM



NOTE

- THIS DETAIL APPLIES TO ACM JOINTS LONGER THAN 300MM SLOPING LESS THAN 30°.

THE BUILDING AGENCY
 14 Link Drive
 Waikou Valley
 Auckland, New Zealand
 09 415 2669
 www.buildingagency.co.nz

DRAWING TITLE
JOINT WITH EDGE SUPPORT DETAIL

DRAWING STATUS	
ARCHITECTURAL RESOURCE	
SCALE @ A4: 1:2	DATE: Jan, 2021

<small>SHEET NO.</small>	<small>ISSUE</small>
1000	A

Copyright © of this drawing shall remain the property of The Building Agency. No part of this document may be reproduced or transmitted by any means without the prior permission in writing of The Building Agency.