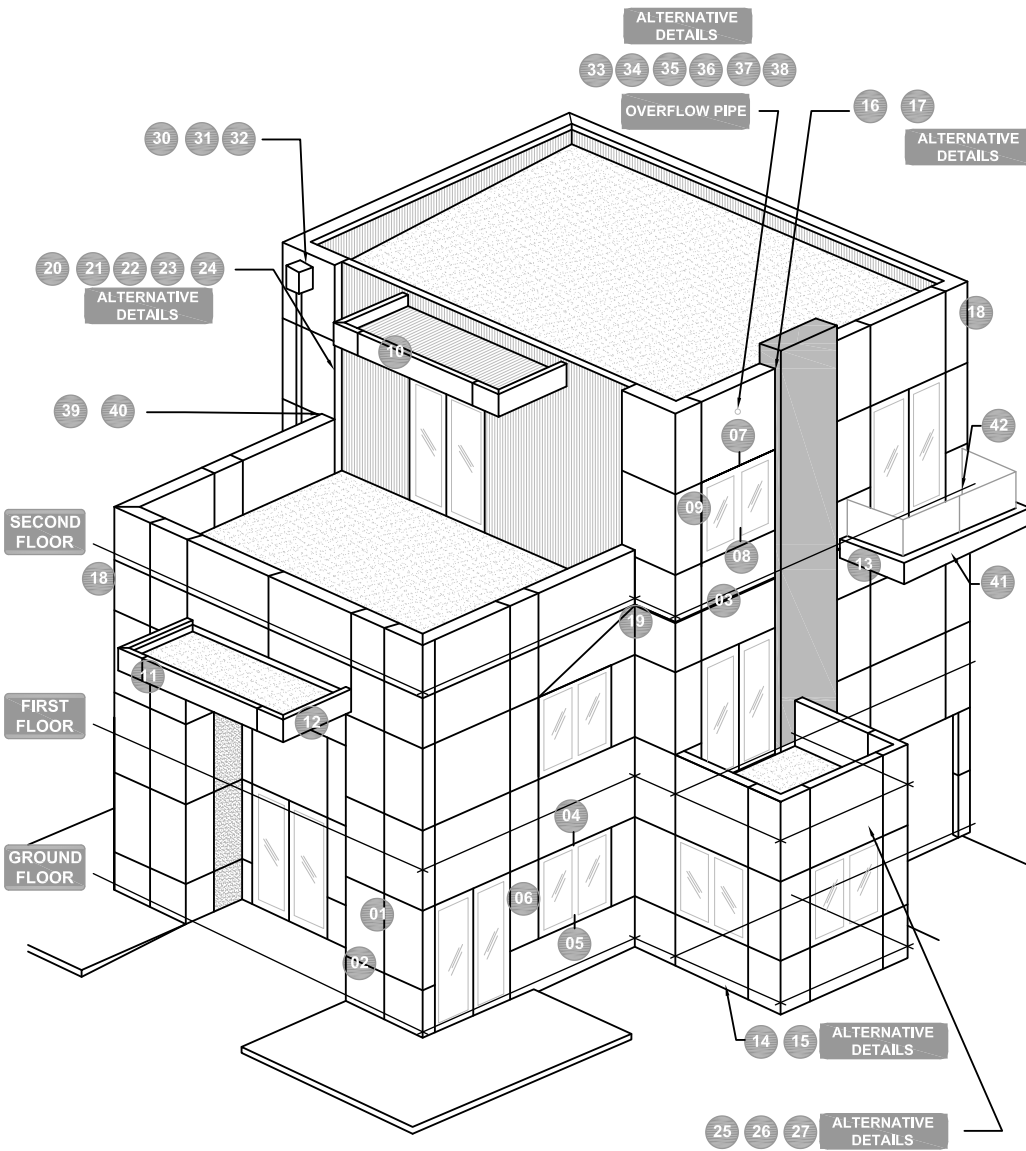


ROUT AND RETURN SYSTEM

CONTENT PAGE



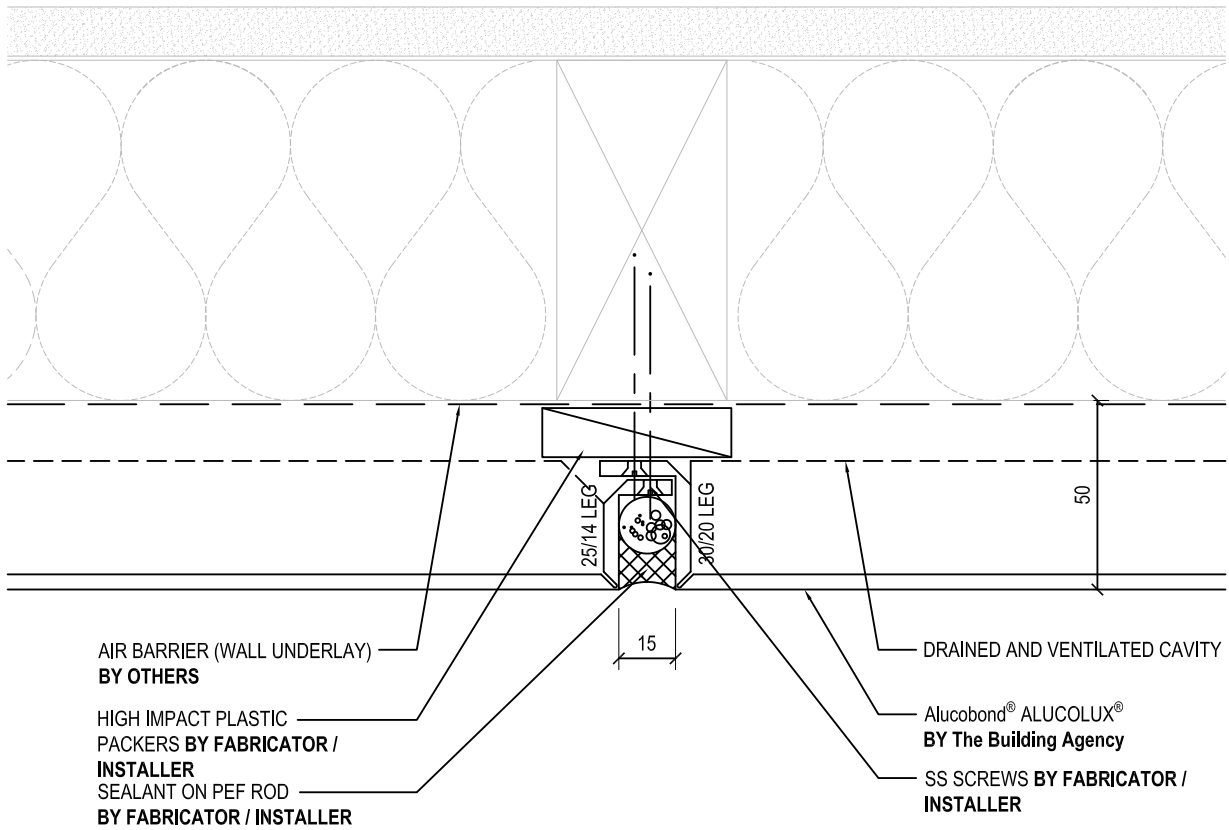
01	TYPICAL VERTICAL JOINT DETAIL
02	TYPICAL HORIZONTAL JOINT DETAIL
03	15 mm OPEN DRAINAGE JOINT
04	RESIDENTIAL WINDOW HEAD DETAIL
05	RESIDENTIAL WINDOW SILL DETAIL
06	RESIDENTIAL WINDOW JAMB DETAIL
07	COMMERCIAL WINDOW HEAD DETAIL
08	COMMERCIAL WINDOW SILL DETAIL
09	COMMERCIAL WINDOW JAMB DETAIL
10	FASCIA AND SOFFIT (METAL ROOF)
11	FASCIA AND SOFFIT (MEMBRANE ROOF)
12	SOFFIT WALL/JUNCTION DETAIL 1
13	SOFFIT WALL/JUNCTION DETAIL 2
14	BASE CLEARANCE / DETAIL 1
15	BASE DETAIL 2
16	ACM/PRECAST JUNCTION DET. 1
17	ACM/PRECAST JUNCTION DET. 2
18	EXTERNAL CORNER DETAIL
19	INTERNAL CORNER DETAIL 1
20	INTERNAL CORNER DETAIL 2
21	INTERNAL CORNER DETAIL 3
22	INTERNAL CORNER DETAIL 4
23	ACM WALL JUNCTION DETAIL 1
24	ACM WALL JUNCTION DETAIL 2
25	WINDOW HEAD DETAIL (ALTERNATIVE DET)
26	WINDOW HEAD DETAIL (ALTERNATIVE DET)
27	WINDOW HEAD DETAIL (ALTERNATIVE DET)
28	X
29	X
30	RAIN HEAD/OUTLET THROUGH WALL DETAIL
31	TYPICAL RAIN HEAD PLAN
32	DOWNPIPE / ACM FIXING DETAIL
33	PENETRATION DETAIL
34	PENETRATION DETAIL
35	PENETRATION DETAIL
36	PENETRATION DETAIL
37	PENETRATION DETAIL
38	PENETRATION DETAIL
39	SADDLE FLASHING DETAIL
40	SADDLE FLASHING DETAIL
41	BALUSTRADE DETAIL
42	DECK DETAIL
43	COMMERCIAL WINDOW SILL DETAIL - RECESSED
44	ACM TO ACM CONNECTION
1000	JOINT WITH EDGE SUPPORT DETAIL

THE BUILDING AGENCY
 14 Link Drive
 Waiuku Valley
 Auckland, New Zealand
 09 415 2669
 www.buildingagency.co.nz
MATERIALS • SYSTEMS • SOLUTIONS

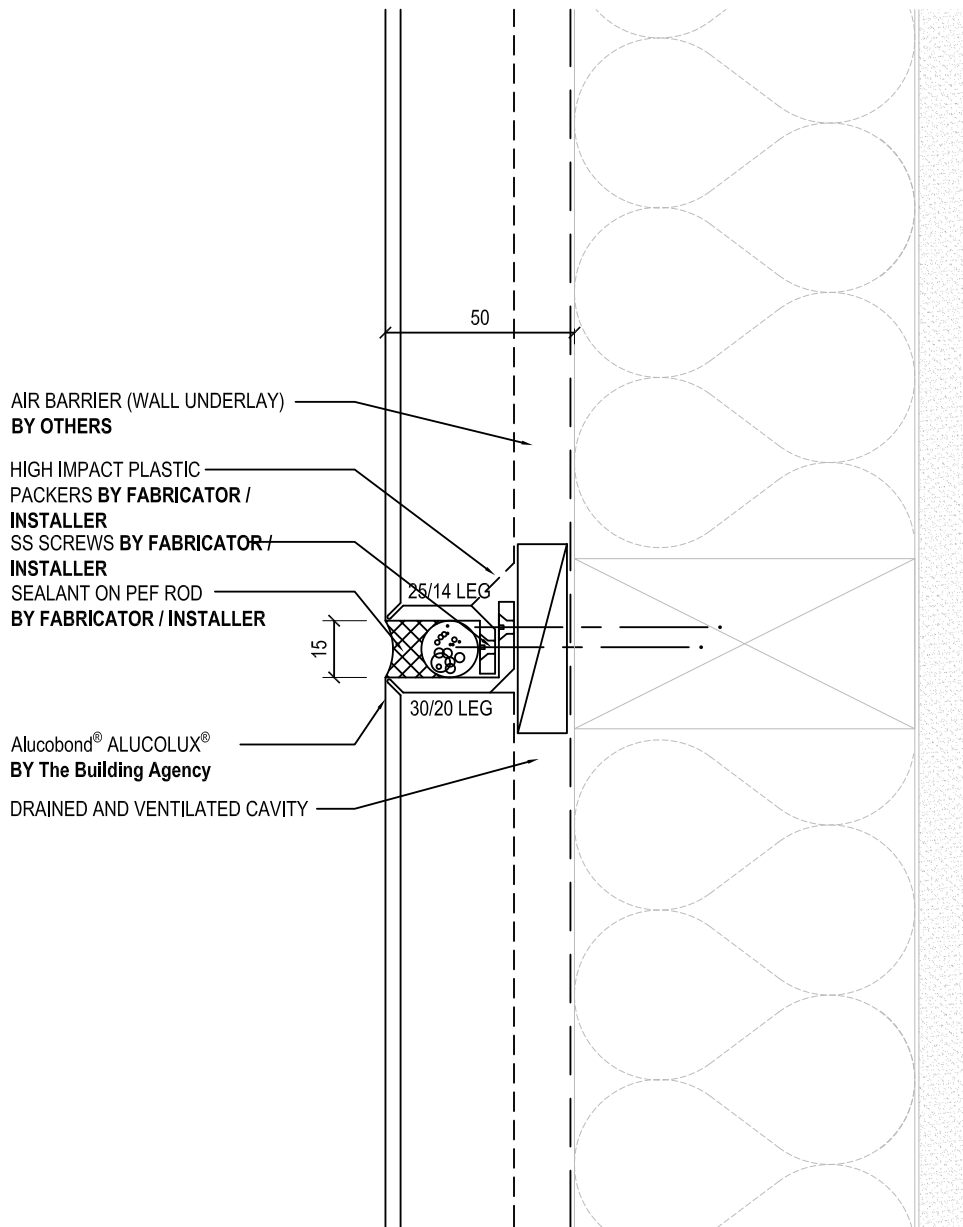
<small>DRAWING TITLE</small>	DIAGRAMMATIC INDEX AND CONTENT PAGE
<small>Copyright © of this drawing shall remain the property of The Building Agency. No part of this document may be reproduced or transmitted by any means without the prior permission in writing of The Building Agency.</small>	

<small>DRAWING STATUS</small>		<small>SHEET NO.</small>	<small>ISSUE</small>
ARCHITECTURAL RESOURCE		00	A
<small>SCALE @ A4: 1:2</small>		<small>DATE: Jan, 2021</small>	

ROUT AND RETURN SYSTEM



ROUT AND RETURN SYSTEM



DRAWING TITLE

STANDARD HORIZONTAL JOINT DETAIL

DRAWING STATUS

ARCHITECTURAL
RESOURCE

SHEET NO.

02

ISSUE

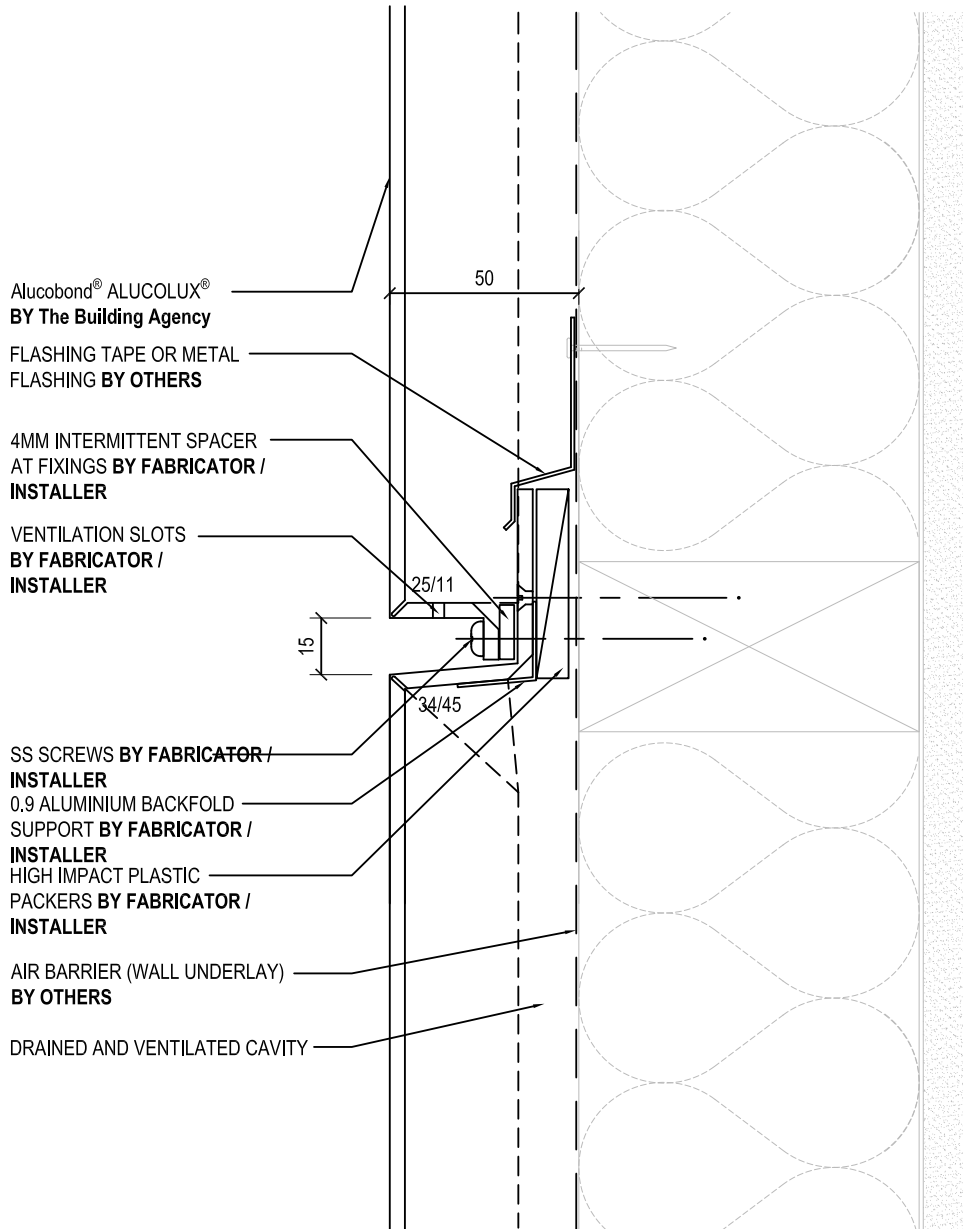
A

SCALE @ A4: 1:2

DATE: Jan, 2021

Copyright © of this drawing shall remain the property of The Building Agency. No part of this document may be reproduced or transmitted by any means without the prior permission in writing of The Building Agency.

ROUT AND RETURN SYSTEM

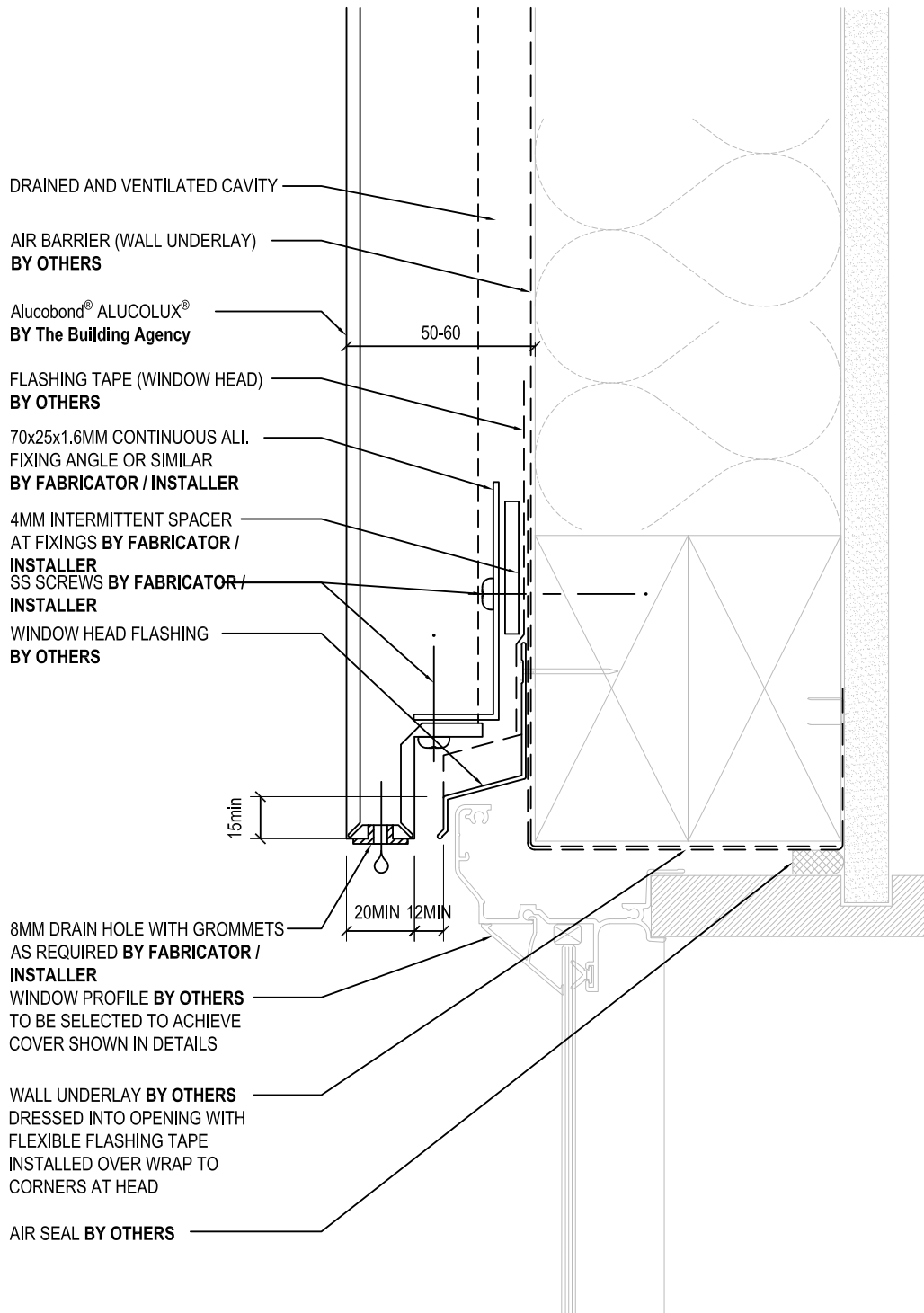


NOTE

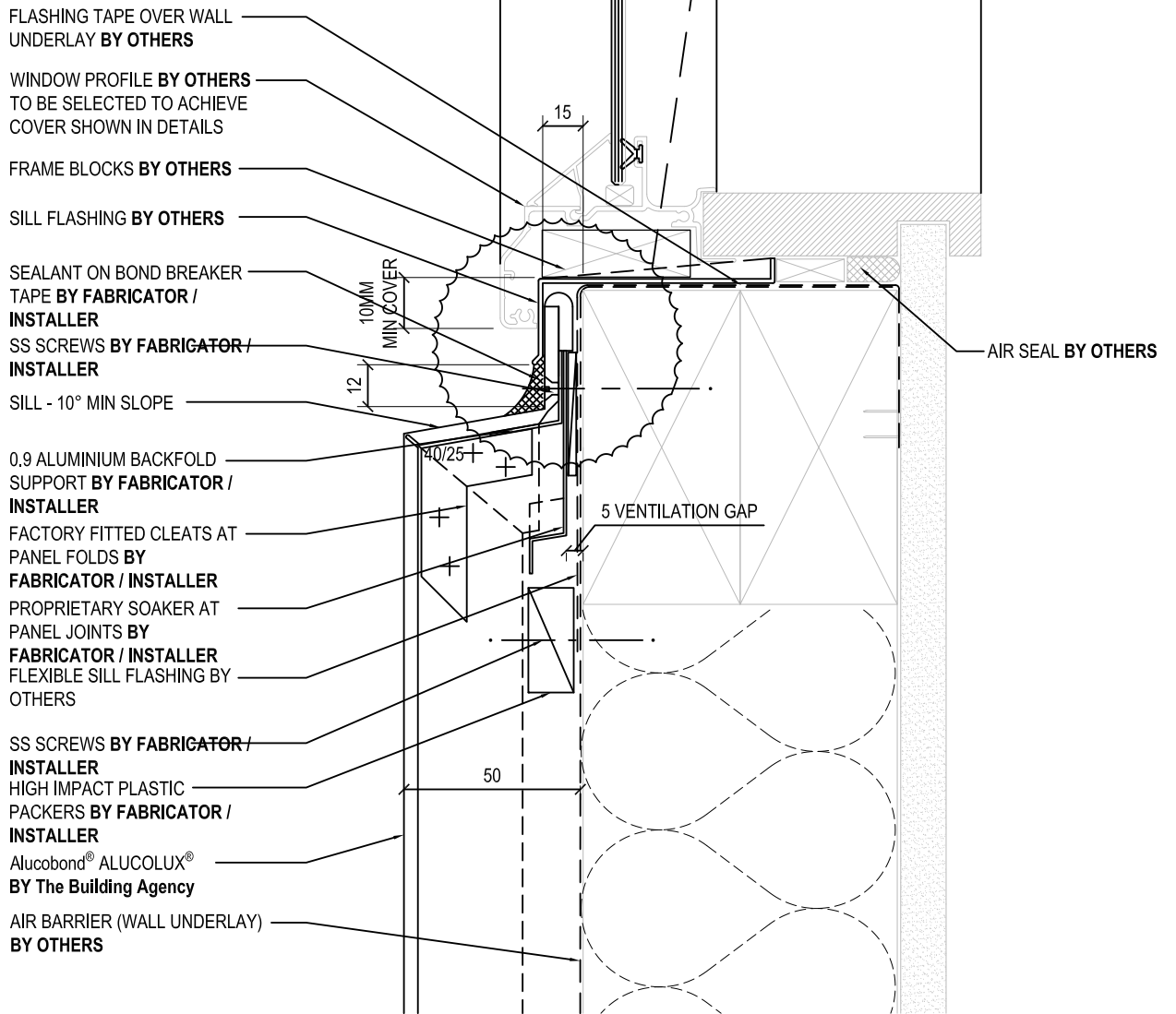
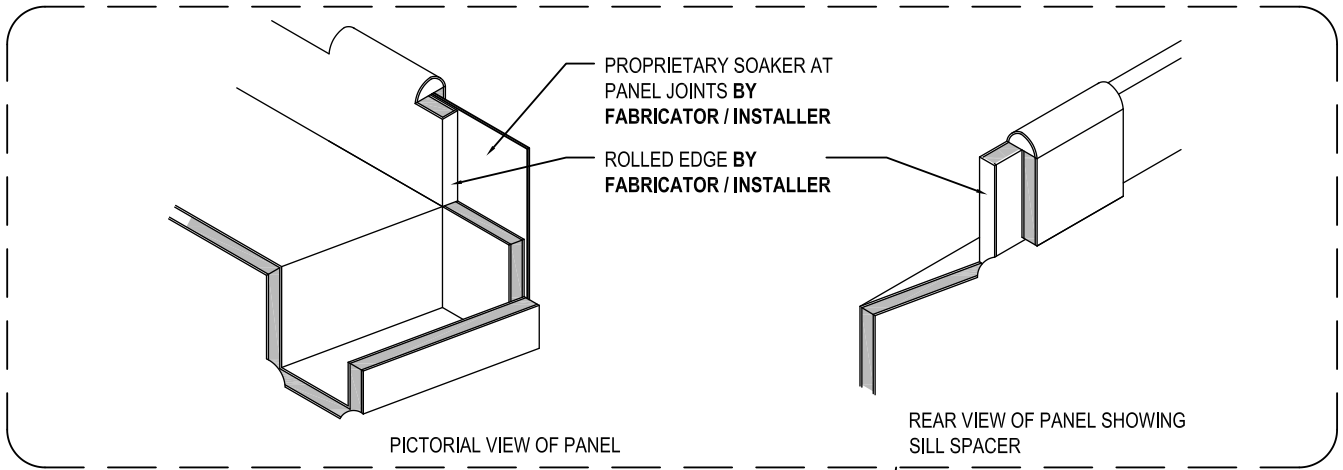
- OPEN DRAINAGE JOINT IS ONLY REQUIRED ON HIGHRISE BUILDINGS AT EVERY SECOND FLOOR LEVEL. FOR BUILDINGS WHERE THE ACM WALL SPANS OVER MORE THAN 3 STOREYS HIGH

DRAWING TITLE		DRAWING STATUS	
15mm OPEN JOINT DETAIL		ARCHITECTURAL RESOURCE	
		SCALE @ A4: 1:2	DATE: Jan, 2021
		SHEET NO. 03	ISSUE A

ROUT AND RETURN SYSTEM



ROUT AND RETURN SYSTEM



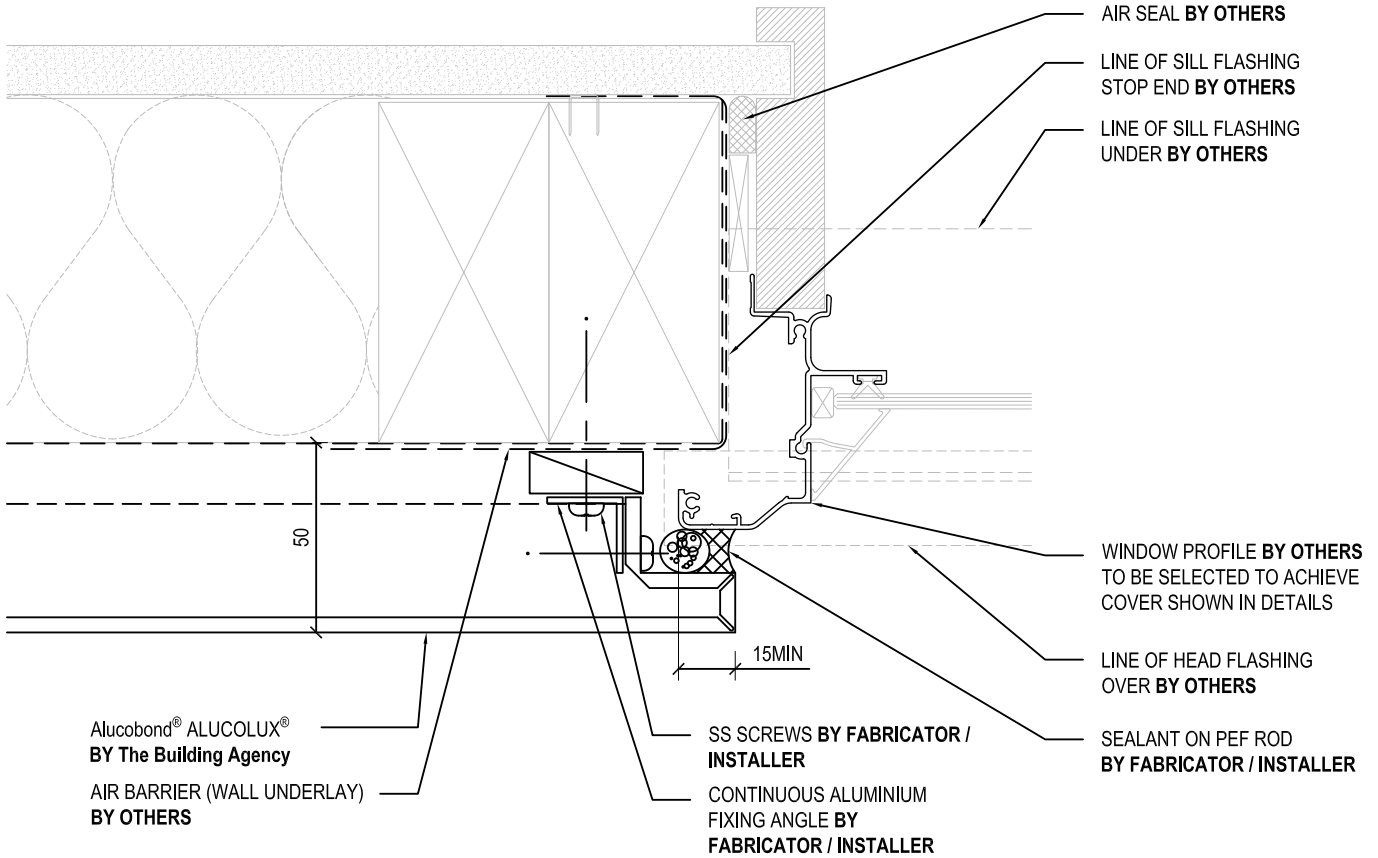
THE BUILDING AGENCY
 14 Link Drive
 Waikau Valley
 Auckland, New Zealand
 09 415 2669
 www.buildingagency.co.nz

DRAWING TITLE	DRAWING STATUS
RESIDENTIAL WINDOW SILL DETAIL	ARCHITECTURAL RESOURCE
	SCALE @ A4: 1:2

SHEET NO.	ISSUE
05	A
DATE: Jan, 2021	

Copyright © of this drawing shall remain the property of The Building Agency. No part of this document may be reproduced or transmitted by any means without the prior permission in writing of The Building Agency.

ROUT AND RETURN SYSTEM



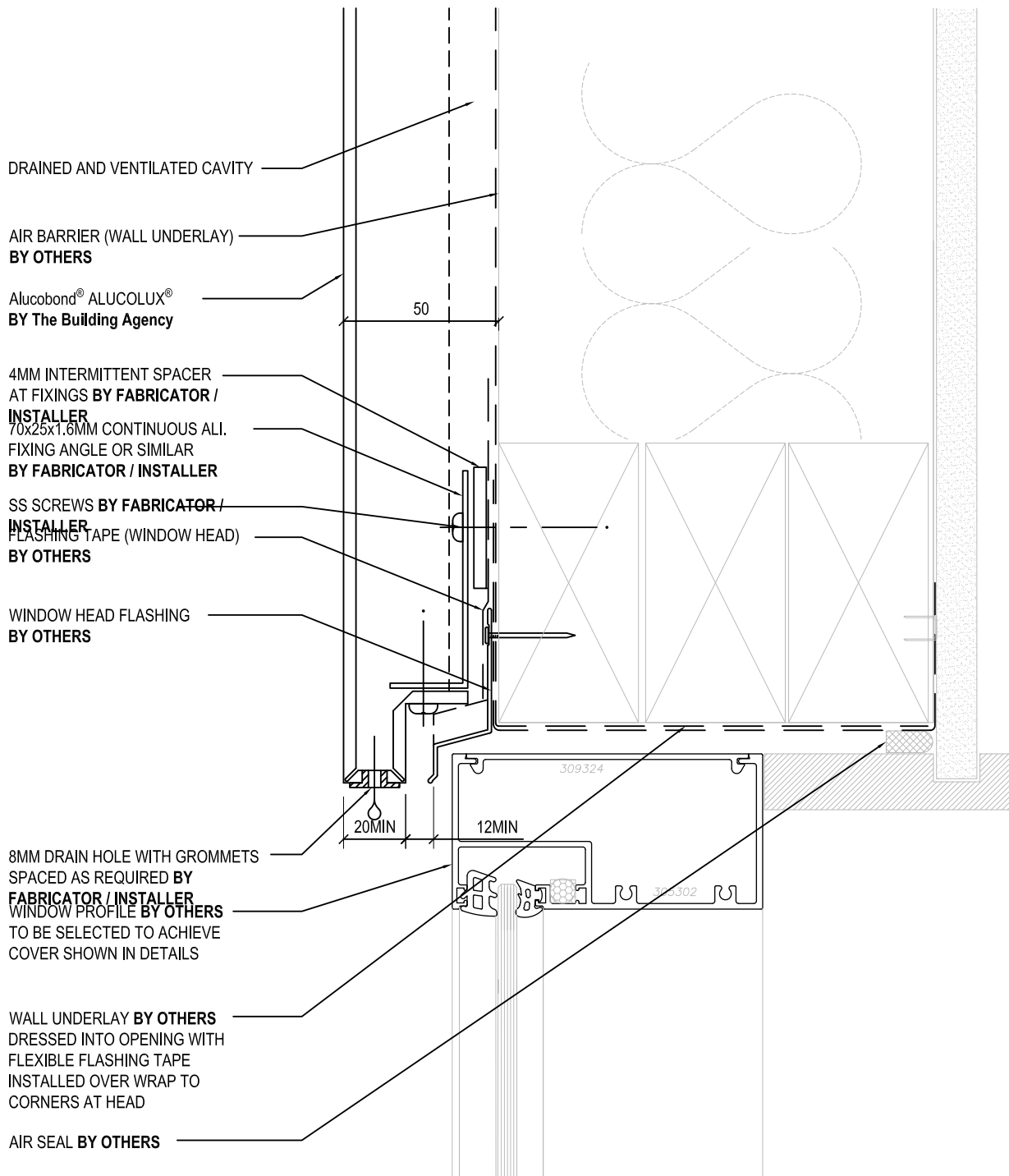
THE BUILDING AGENCY
 14 Link Drive
 Waiuku Valley
 Auckland, New Zealand
 09 415 2669
 www.buildingagency.co.nz

DRAWING TITLE	RESIDENTIAL WINDOW JAMB DETAIL
----------------------	---------------------------------------

DRAWING STATUS		SHEET NO.	ISSUE
ARCHITECTURAL RESOURCE		06	A
SCALE @ A4: 1:2		DATE: Jan, 2021	

Copyright © of this drawing shall remain the property of The Building Agency. No part of this document may be reproduced or transmitted by any means without the prior permission in writing of The Building Agency.

ROUT AND RETURN SYSTEM



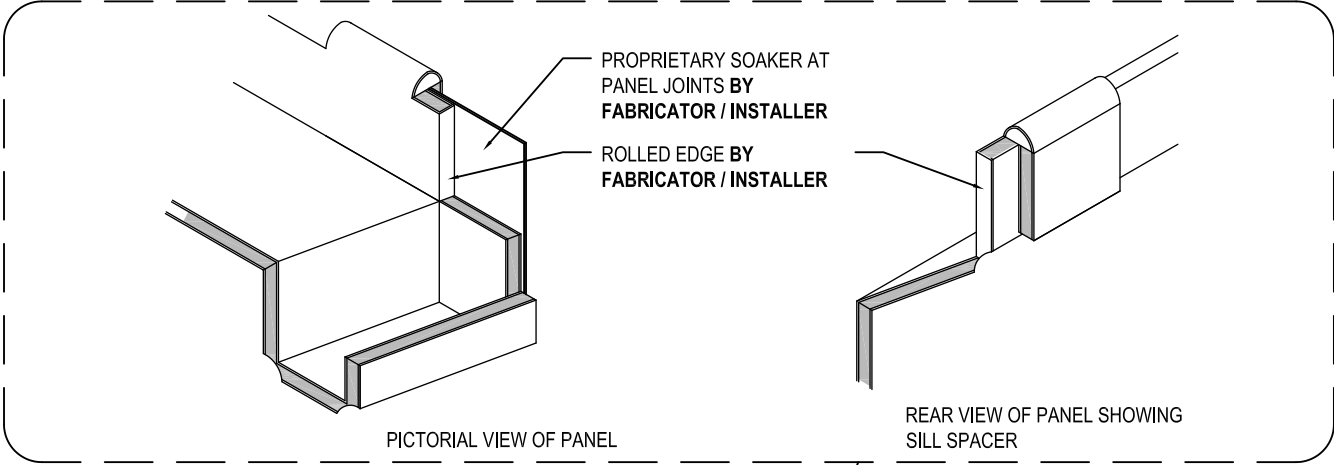
 <p>THE BUILDING AGENCY</p> <p><small>14 Link Drive Waikou Valley Auckland, New Zealand 09 415 2669 www.buildingagency.co.nz</small></p> <p><small>MATERIALS • SYSTEMS • SOLUTIONS</small></p>	<p>DRAWING TITLE</p> <p style="font-size: 1.2em; font-weight: bold;">COMMERCIAL WINDOW HEAD DETAIL</p>
---	---

<p>DRAWING STATUS</p> <p style="font-size: 1.2em; font-weight: bold;">ARCHITECTURAL RESOURCE</p>
<p>SCALE @ A4: 1:2</p>

<p><small>SHEET NO.</small></p> <p style="font-size: 1.5em; font-weight: bold;">07</p>	<p><small>ISSUE</small></p> <p style="font-size: 1.5em; font-weight: bold;">A</p>
<p><small>DATE: Jan, 2021</small></p>	

Copyright © of this drawing shall remain the property of The Building Agency. No part of this document may be reproduced or transmitted by any means without the prior permission in writing of The Building Agency.

ROUT AND RETURN SYSTEM



FLASHING TAPE OVER WALL UNDERLAY **BY OTHERS**

WINDOW PROFILE **BY OTHERS** TO BE SELECTED TO ACHIEVE COVER SHOWN IN DETAILS

AIR SEAL **BY OTHERS**

ALUMINIUM SILL TRAY **BY OTHERS**

SEALANT ON BOND BREAKER TAPE **BY FABRICATOR / INSTALLER**
SILL - 10° MIN SLOPE

0.9 ALUMINIUM BACKFOLD SUPPORT **BY FABRICATOR / INSTALLER**

SS SCREWS **BY FABRICATOR / INSTALLER**

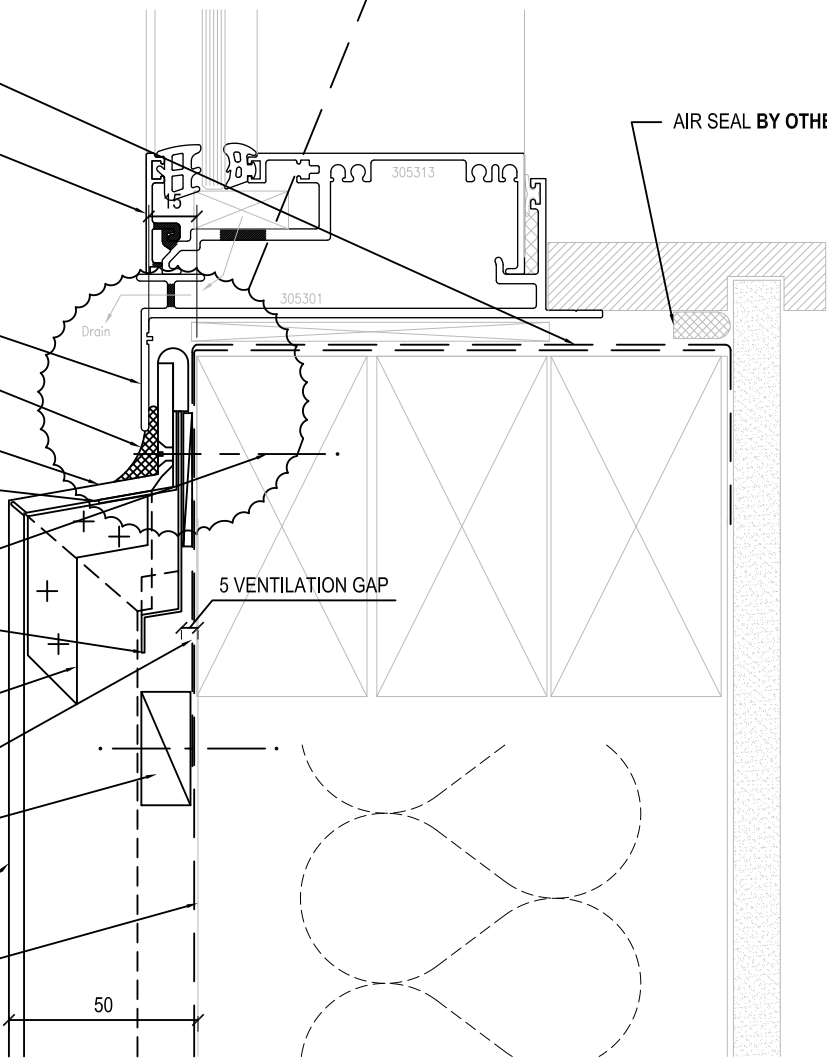
PROPRIETARY SOAKER AT PANEL JOINTS **BY FABRICATOR / INSTALLER**

FACTORY FITTED CLEATS AT PANEL FOLDS **BY FABRICATOR / INSTALLER**

FLEXIBLE SILL FLASHING **BY OTHERS**

HIGH IMPACT PLASTIC PACKERS **BY FABRICATOR / INSTALLER**

Alucobond® ALUCOLUX® **BY The Building Agency**
AIR BARRIER (WALL UNDERLAY) **BY OTHERS**



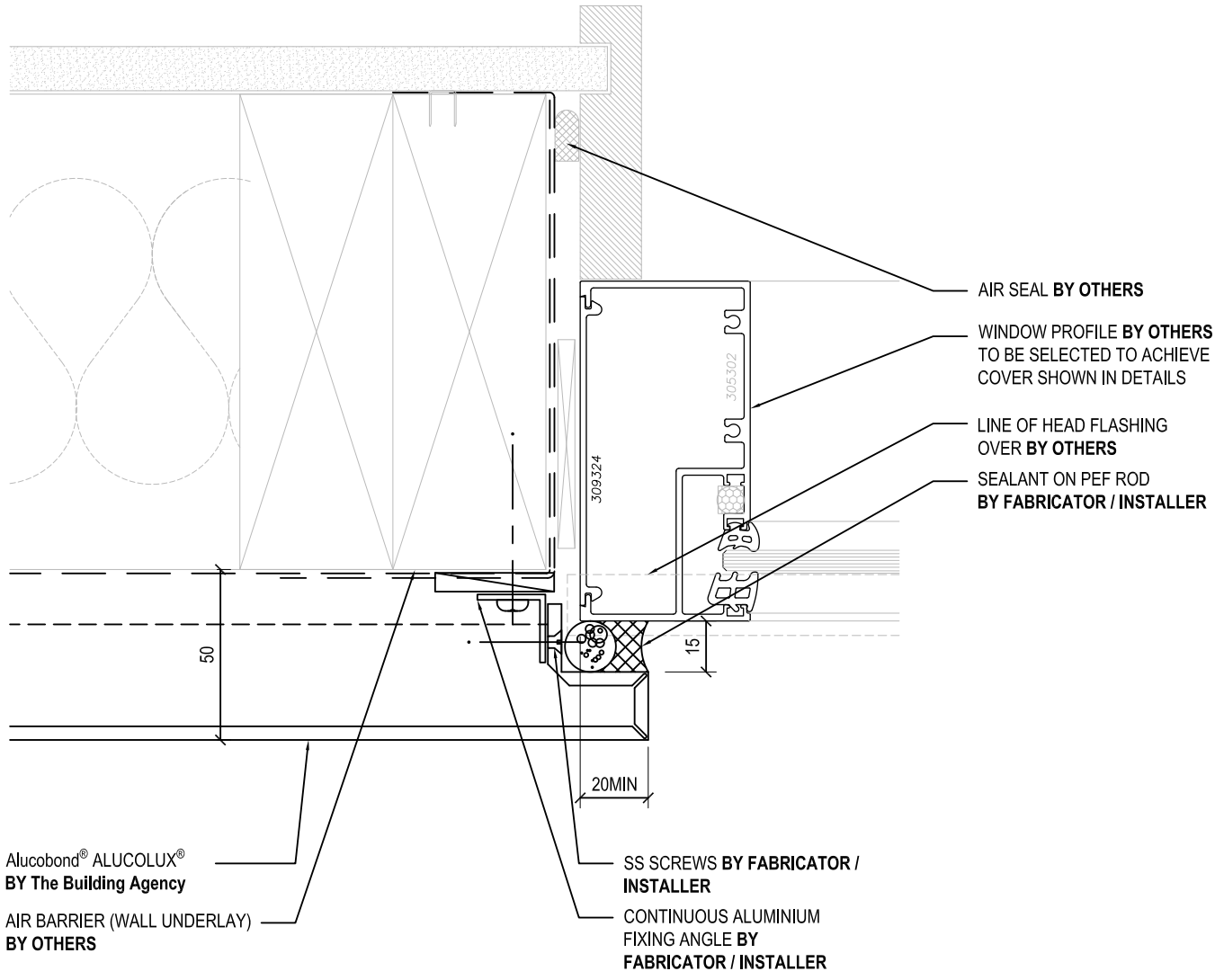
THE BUILDING AGENCY
14 Link Drive
Waikou Valley
Auckland, New Zealand
09 415 2669
www.buildingagency.co.nz

DRAWING TITLE	COMMERCIAL WINDOW SILL DETAIL
---------------	----------------------------------

DRAWING STATUS	ARCHITECTURAL RESOURCE	SHEET NO.	08	ISSUE	A
	SCALE @ A4: 1:2		DATE: Jan, 2021		

Copyright © of this drawing shall remain the property of The Building Agency. No part of this document may be reproduced or transmitted by any means without the prior permission in writing of The Building Agency.

ROUT AND RETURN SYSTEM



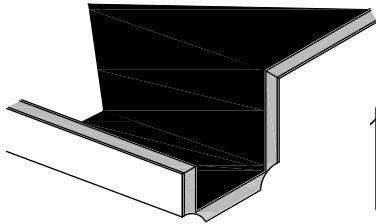
THE BUILDING AGENCY
 14 Link Drive
 Waiuku Valley
 Auckland, New Zealand
 09 415 2669
 www.buildingagency.co.nz

DRAWING TITLE	DRAWING STATUS
COMMERCIAL WINDOW JAMB DETAIL	ARCHITECTURAL RESOURCE
	SCALE @ A4: 1:2

SHEET NO.	ISSUE
09	A
DATE: Jan, 2021	

Copyright © of this drawing shall remain the property of The Building Agency. No part of this document may be reproduced or transmitted by any means without the prior permission in writing of The Building Agency.

ROUT AND RETURN SYSTEM



A-A PICTORIAL

SIZE TO SUIT STRUCTURE (MIN 150MM MAX 300MM -
FOR SIZES EXCEEDING 300MM REFER TO SHEET 1000)

PARAPET TURNDOWN & SCREW
FIXED TO ACM FIXING ANGLE

CONTINUOUS FIXING ANGLE
BY FABRICATOR / INSTALLER

FACTORY FITTED CLEATS AT
PANEL FOLDS BY
FABRICATOR / INSTALLER

WATERPROOFING MEMBRANE
BY OTHERS

HIGH IMPACT PLASTIC
PACKERS BY FABRICATOR /
INSTALLER
SS SCREWS BY FABRICATOR/
INSTALLER

Alucobond® ALUCOLUX®
BY The Building Agency

AIR BARRIER (WALL UNDERLAY)
BY OTHERS

DRAINED AND VENTILATED CAVITY

SS SCREWS BY FABRICATOR/
INSTALLER

VENTILATION SLOTS
BY FABRICATOR /
INSTALLER

8MM DRAIN HOLE WITH GROMMETS
BY FABRICATOR / INSTALLER

5° MIN. SLOPE

TO SUIT
TO SUIT

30mm LEG

35MM MIN. CLEARANCE
(BALCONIES, DECKS AND ROOF)

50

20

50

20

15

OPEN JOINT

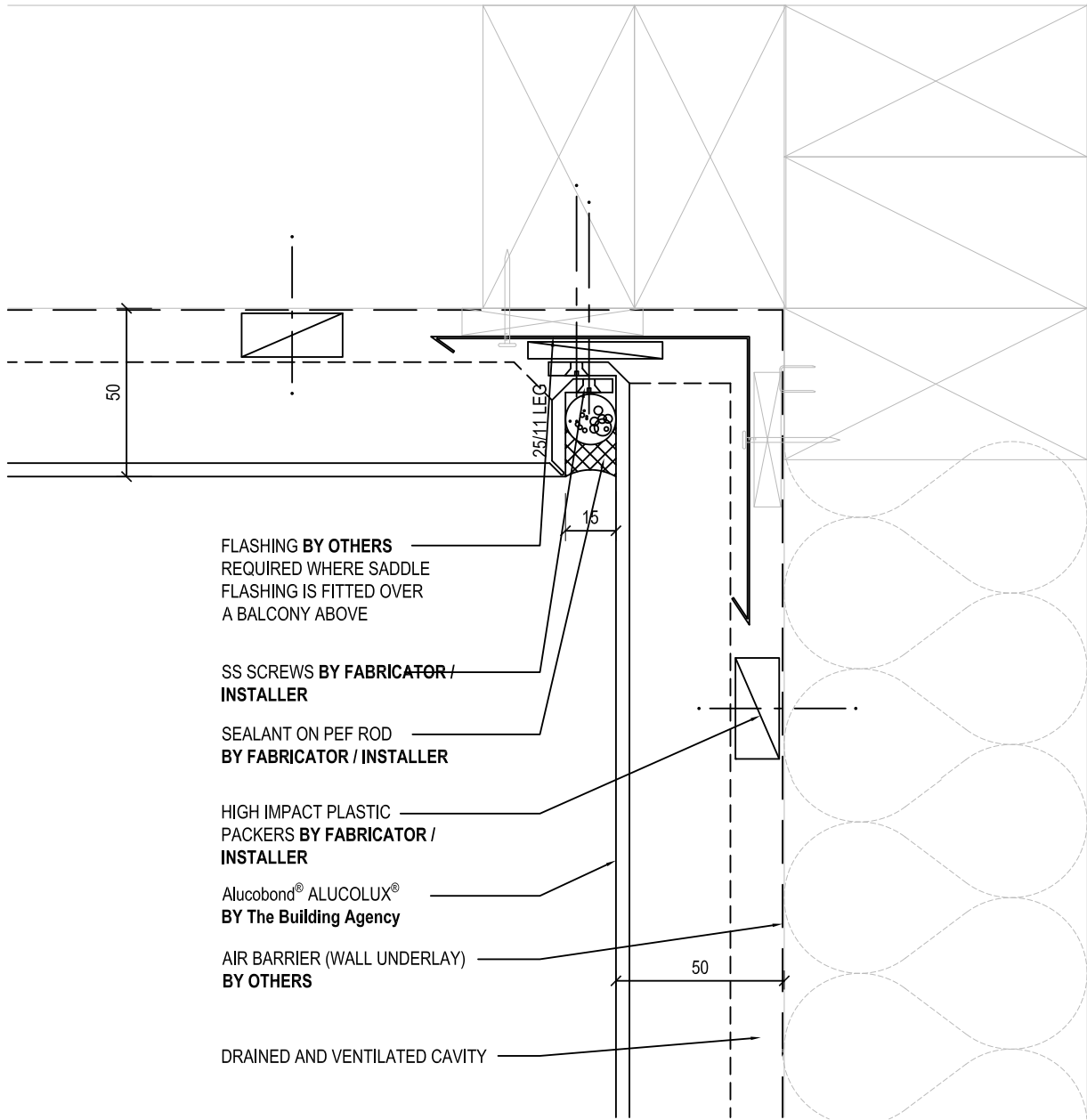
14 Link Drive
Waikau Valley
Auckland, New Zealand
09 415 2669
www.buildingagency.co.nz

MATERIALS • SYSTEMS • SOLUTIONS

DRAWING TITLE	DRAWING STATUS
FASCIA AND SOFFIT DETAIL	ARCHITECTURAL RESOURCE
Copyright © of this drawing shall remain the property of The Building Agency. No part of this document may be reproduced or transmitted by any means without the prior permission in writing of The Building Agency.	

SHEET NO.	ISSUE
11	A
SCALE @ A4: 1:2	DATE: Jan, 2021

ROUT AND RETURN SYSTEM



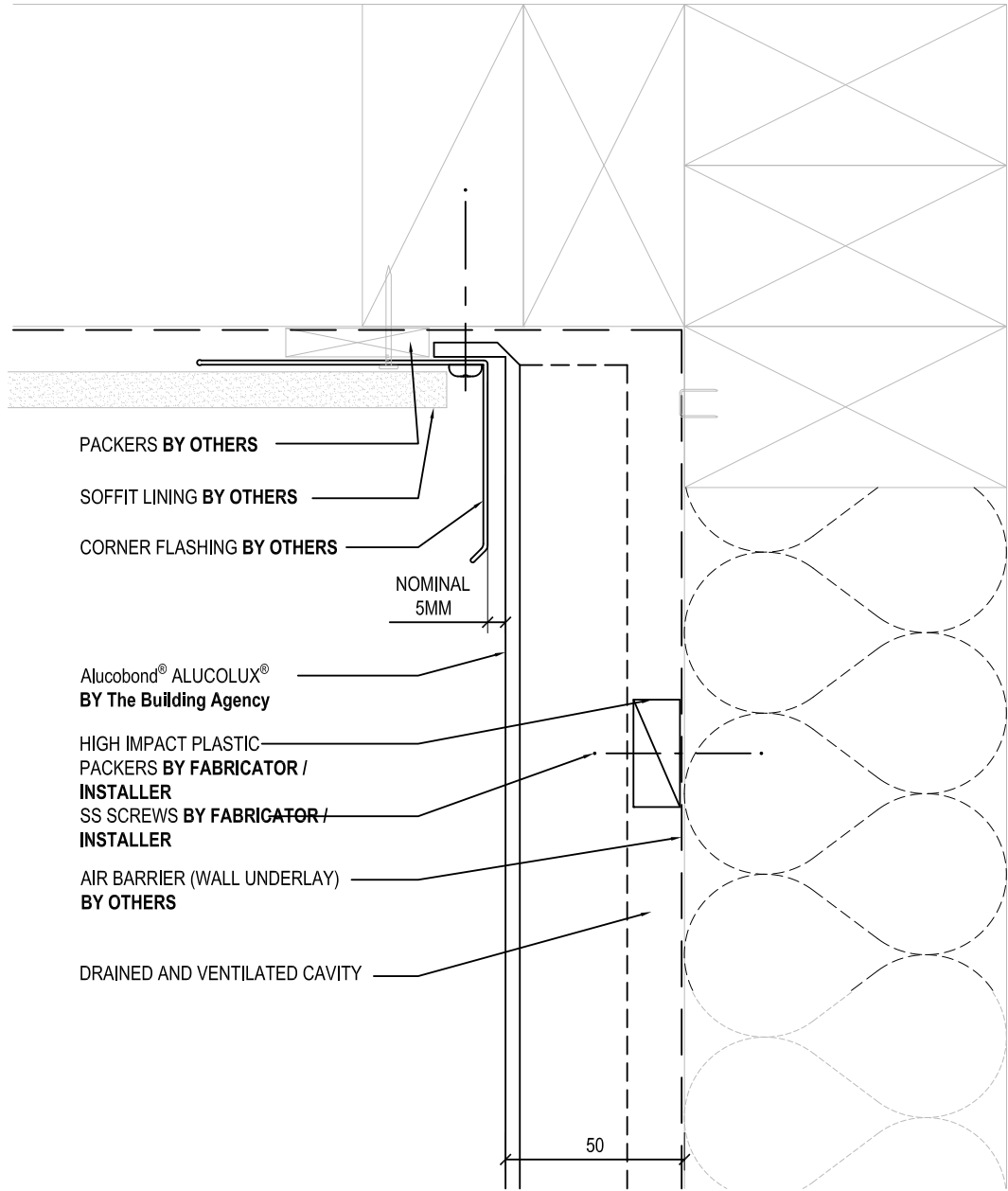
<p>THE BUILDING AGENCY</p> <p style="font-size: 8px;">14 Link Drive Waikou Valley Auckland, New Zealand 09 415 2669 www.buildingagency.co.nz</p> <p style="font-size: 8px; margin-top: 5px;">MATERIALS • SYSTEMS • SOLUTIONS</p>	
---	--

DRAWING TITLE
SOFFIT / WALL JUNCTION DETAIL

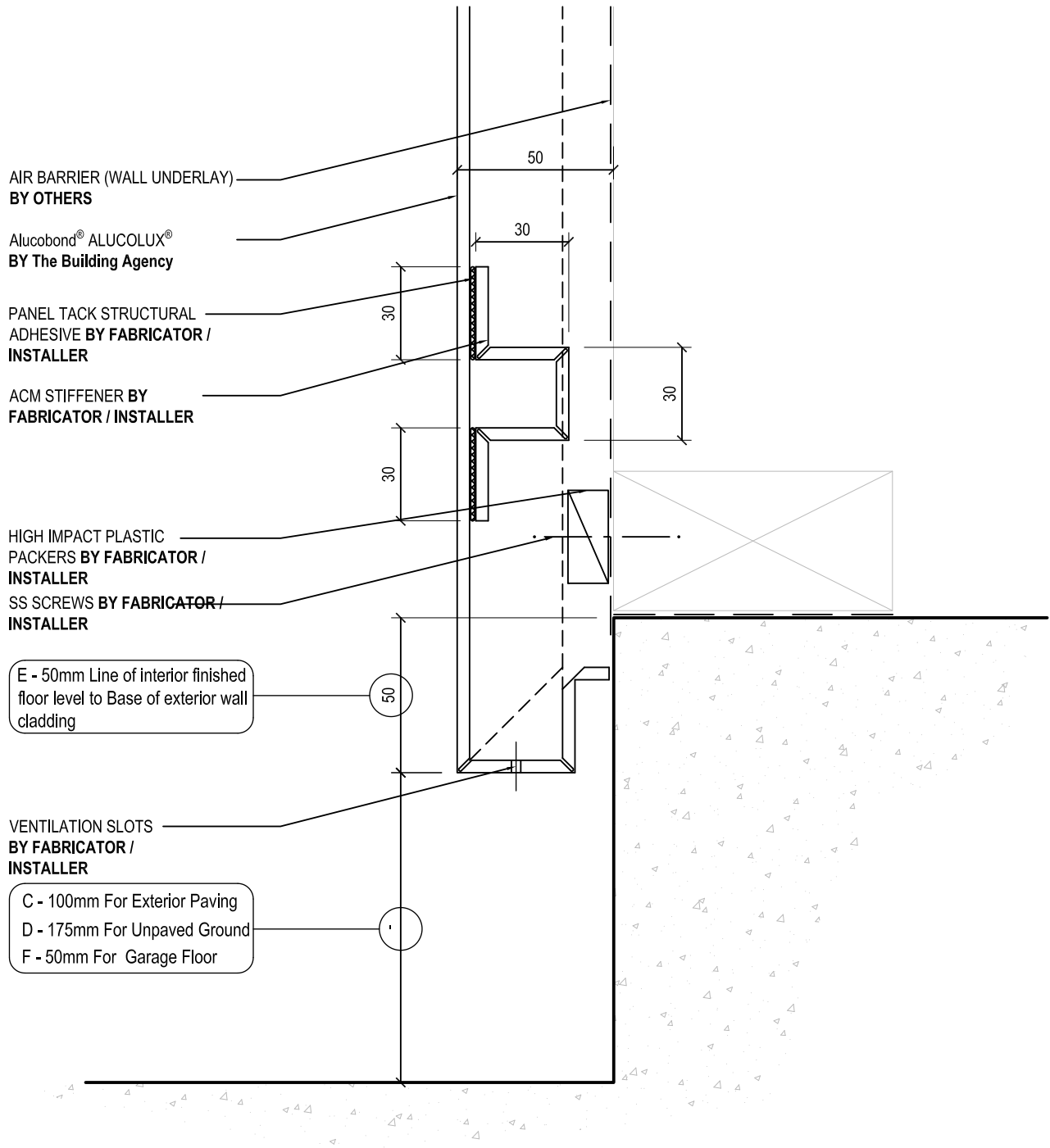
DRAWING STATUS	
ARCHITECTURAL RESOURCE	SHEET NO. 12 ISSUE A
SCALE @ A4: 1:2	DATE: Jan, 2021

Copyright © of this drawing shall remain the property of The Building Agency. No part of this document may be reproduced or transmitted by any means without the prior permission in writing of The Building Agency.

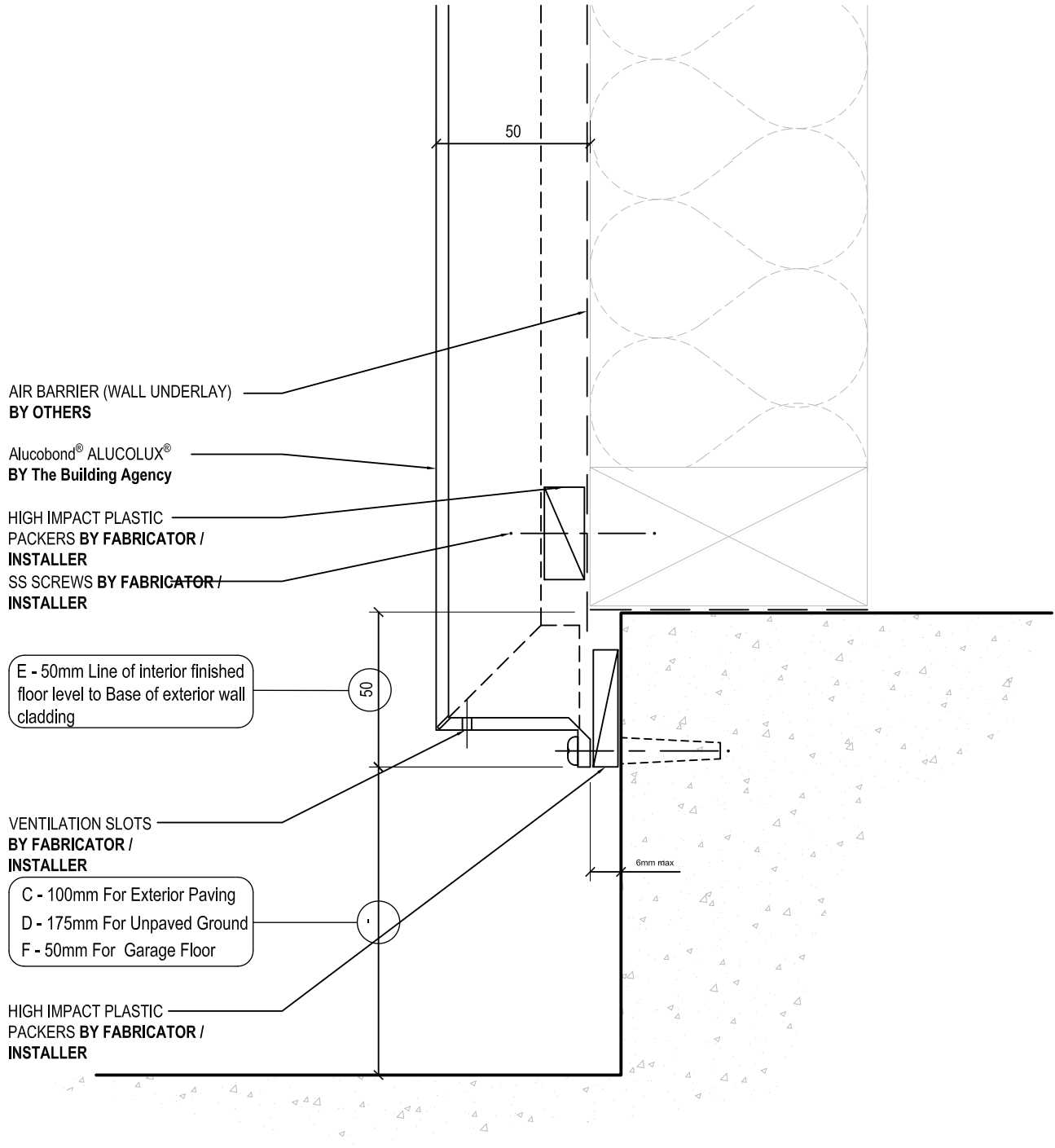
ROUT AND RETURN SYSTEM



ROUT AND RETURN SYSTEM



ROUT AND RETURN SYSTEM

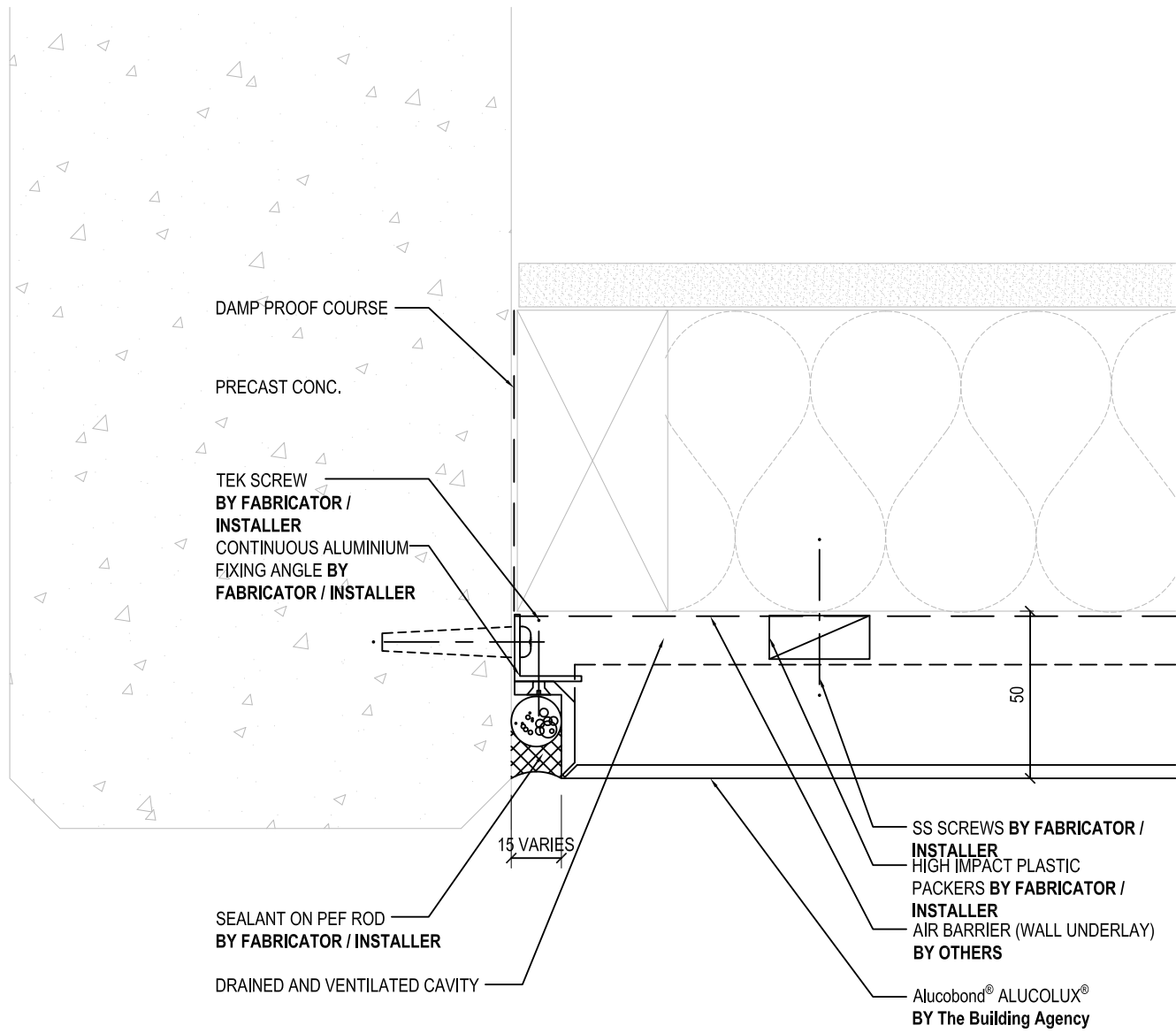


THE BUILDING AGENCY
 14 Link Drive
 Waikau Valley
 Auckland, New Zealand
 09 415 2669
 www.buildingagency.co.nz

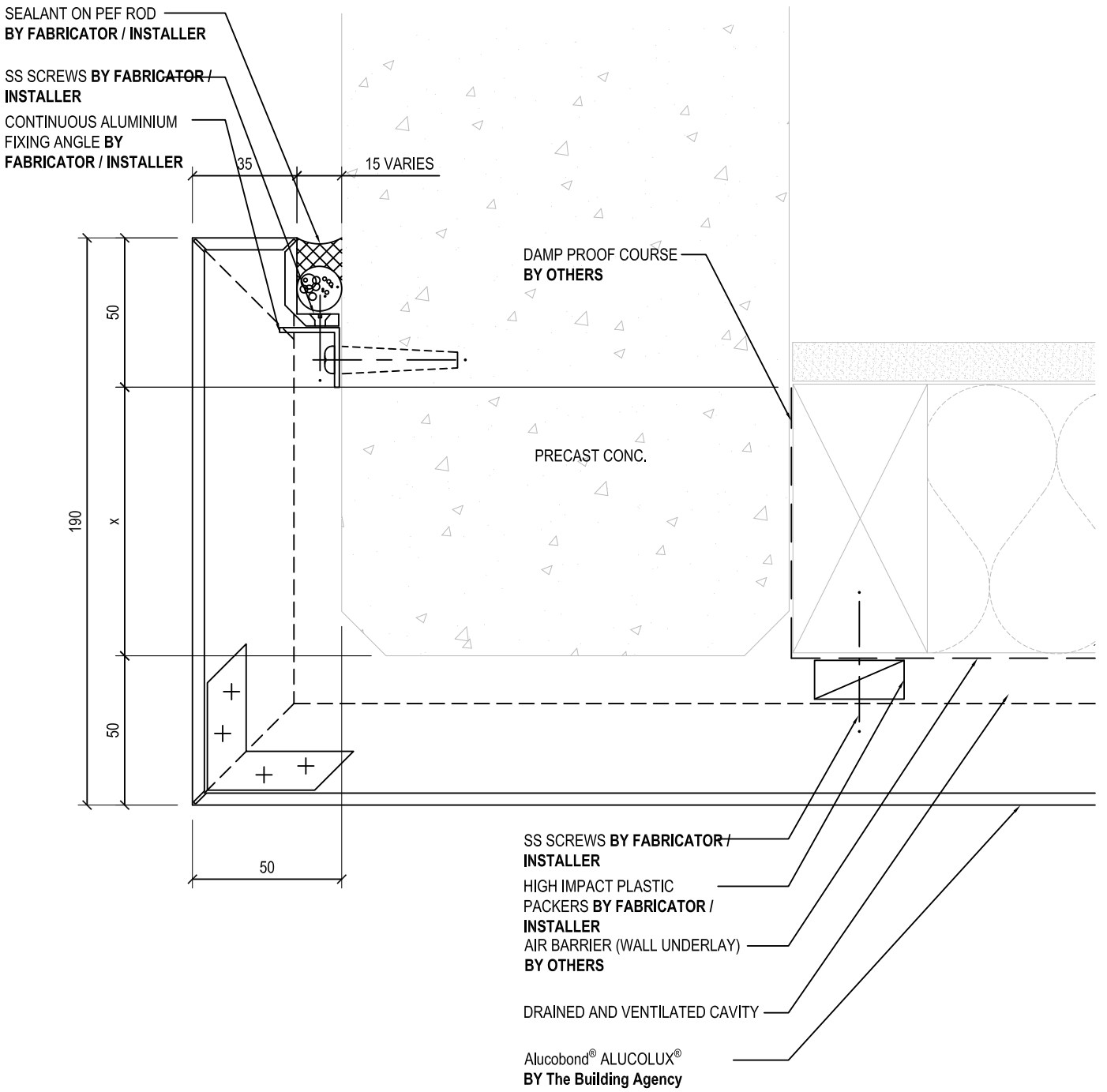
DRAWING TITLE	DRAWING STATUS				
BASE CLEARANCE DETAIL 2	ARCHITECTURAL RESOURCE				
	<table border="1"> <tr> <td>SHEET NO.</td> <td>ISSUE</td> </tr> <tr> <td style="text-align: center;">15</td> <td style="text-align: center;">A</td> </tr> </table>	SHEET NO.	ISSUE	15	A
SHEET NO.	ISSUE				
15	A				
	<table border="1"> <tr> <td>SCALE @ A4: 1:2</td> <td>DATE: Jan, 2021</td> </tr> </table>	SCALE @ A4: 1:2	DATE: Jan, 2021		
SCALE @ A4: 1:2	DATE: Jan, 2021				

Copyright © of this drawing shall remain the property of The Building Agency. No part of this document may be reproduced or transmitted by any means without the prior permission in writing of The Building Agency.

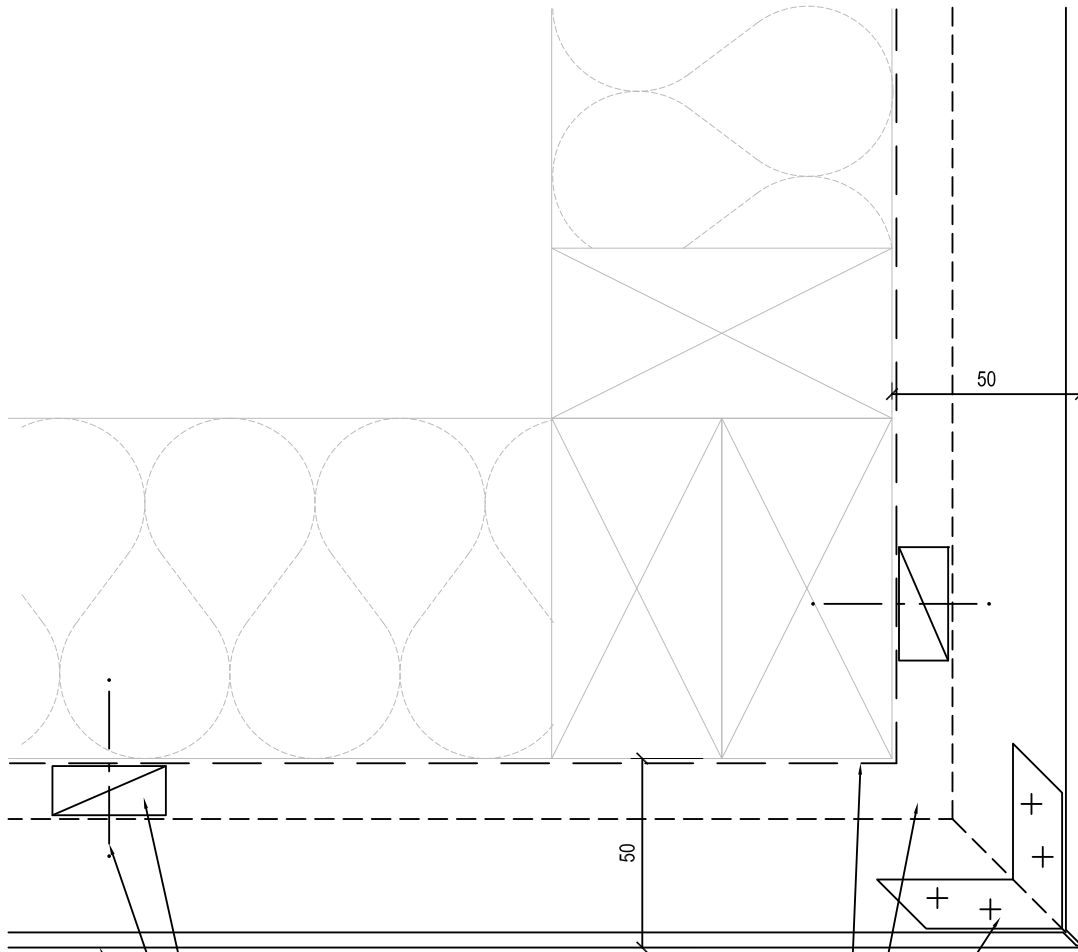
ROUT AND RETURN SYSTEM




ROUT AND RETURN SYSTEM



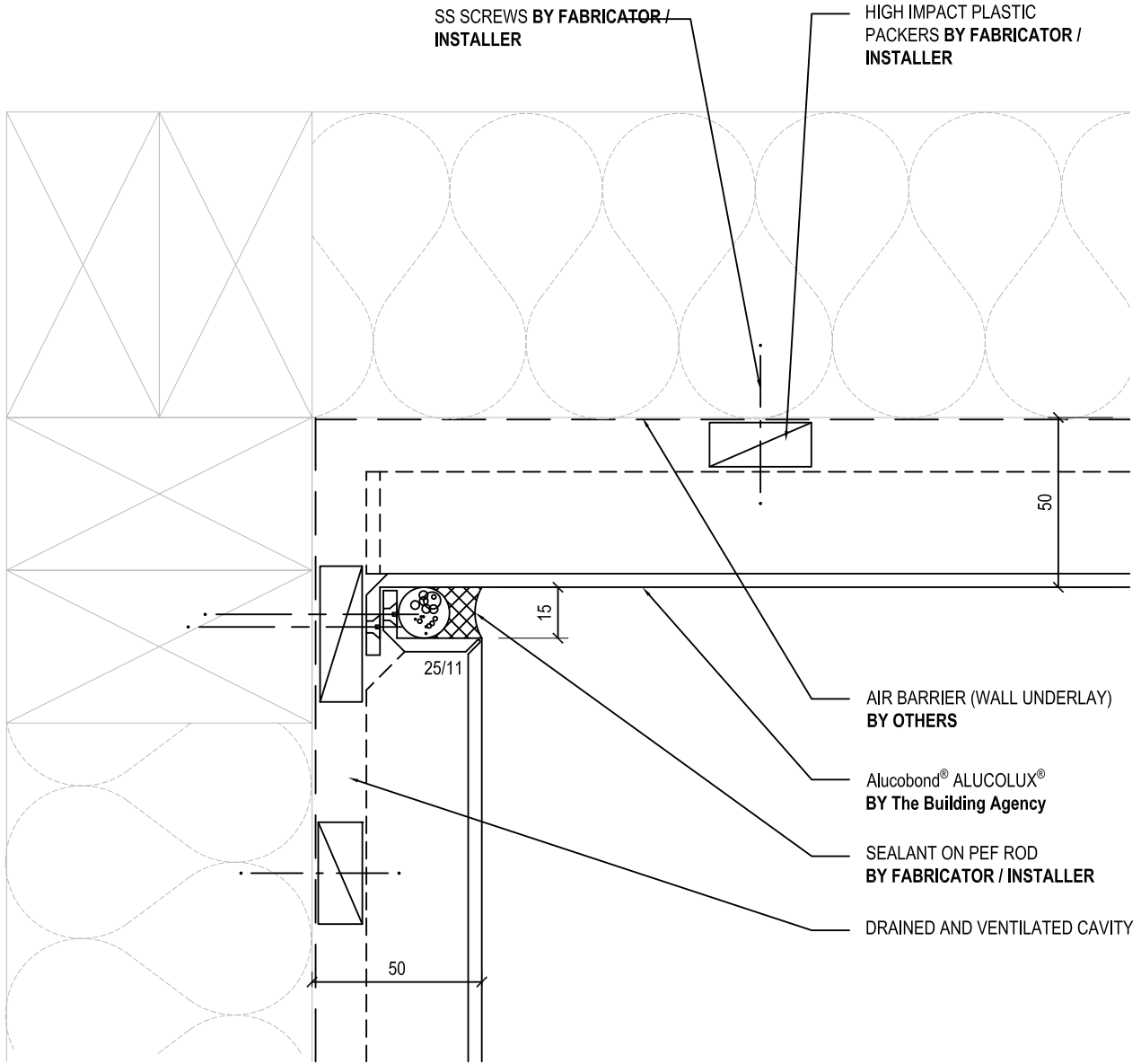
ROUT AND RETURN SYSTEM



- HIGH IMPACT PLASTIC PACKERS **BY FABRICATOR / INSTALLER**
- SS SCREWS **BY FABRICATOR / INSTALLER**
- Alucobond® ALUCOLUX® **BY The Building Agency**
- AIR BARRIER (WALL UNDERLAY) **BY OTHERS**
- DRAINED AND VENTILATED CAVITY
- FACTORY FITTED CLEATS AT PANEL FOLDS **BY FABRICATOR / INSTALLER**

 <p style="font-size: 8px;">14 Link Drive Waikou Valley Auckland, New Zealand 09 415 2669 www.buildingagency.co.nz</p>	DRAWING TITLE	DRAWING STATUS					
	EXTERNAL CORNER DETAIL	ARCHITECTURAL RESOURCE	<table border="1" style="width: 100%; border-collapse: collapse;"> <tr> <td style="font-size: 8px;">SHEET NO.</td> <td style="font-size: 8px;">ISSUE</td> </tr> <tr> <td style="text-align: center; font-size: 16px;">18</td> <td style="text-align: center; font-size: 16px;">A</td> </tr> </table>	SHEET NO.	ISSUE	18	A
	SHEET NO.	ISSUE					
18	A						
	SCALE @ A4: 1:2	DATE: Jan, 2021					
Copyright © of this drawing shall remain the property of The Building Agency. No part of this document may be reproduced or transmitted by any means without the prior permission in writing of The Building Agency.							

ROUT AND RETURN SYSTEM



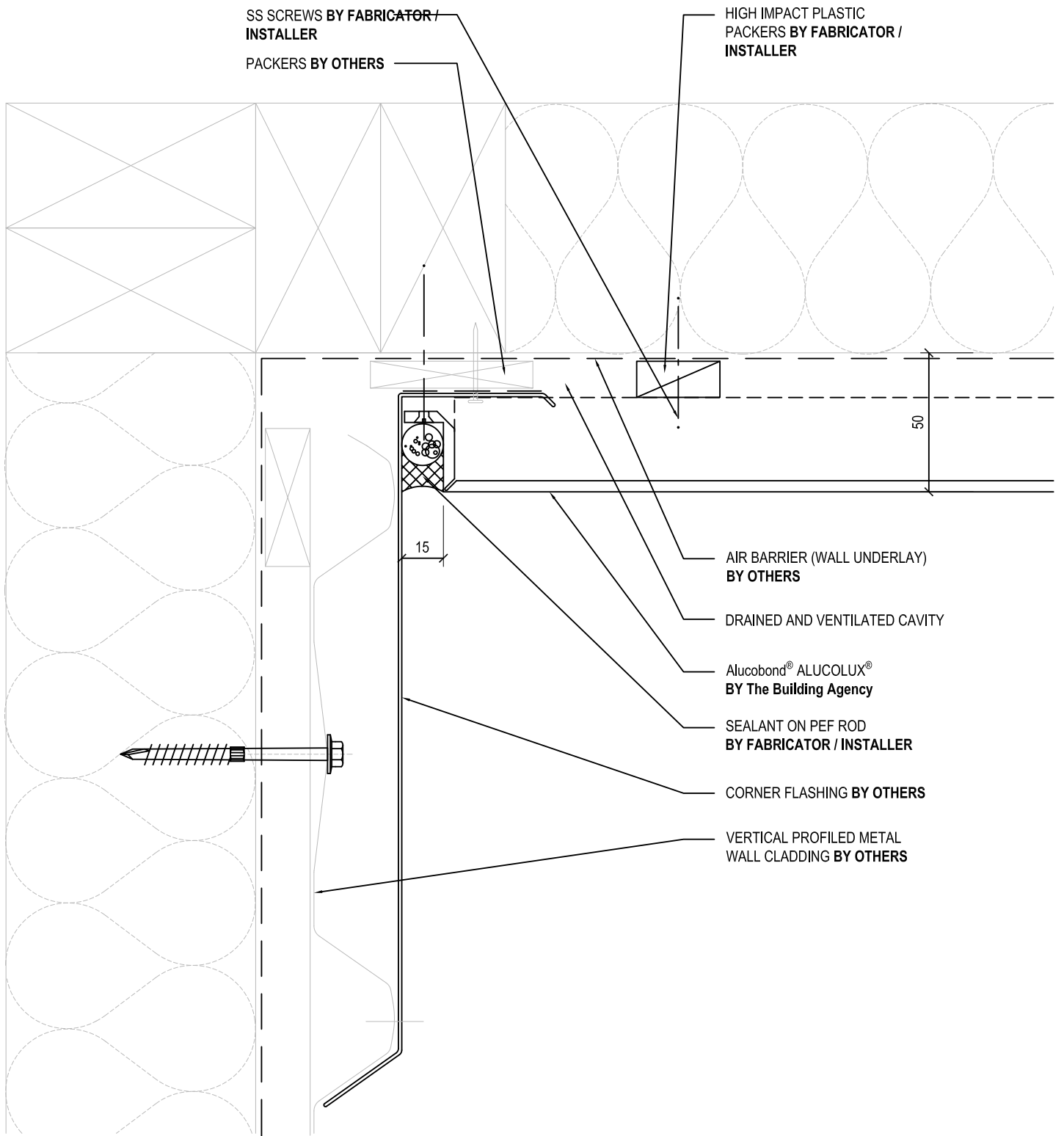
THE BUILDING AGENCY
 14 Link Drive
 Waiuku Valley
 Auckland, New Zealand
 09 415 2669
 www.buildingagency.co.nz

DRAWING TITLE	DRAWING STATUS
INTERNAL CORNER DETAIL 1	ARCHITECTURAL RESOURCE
	SCALE @ A4: 1:2

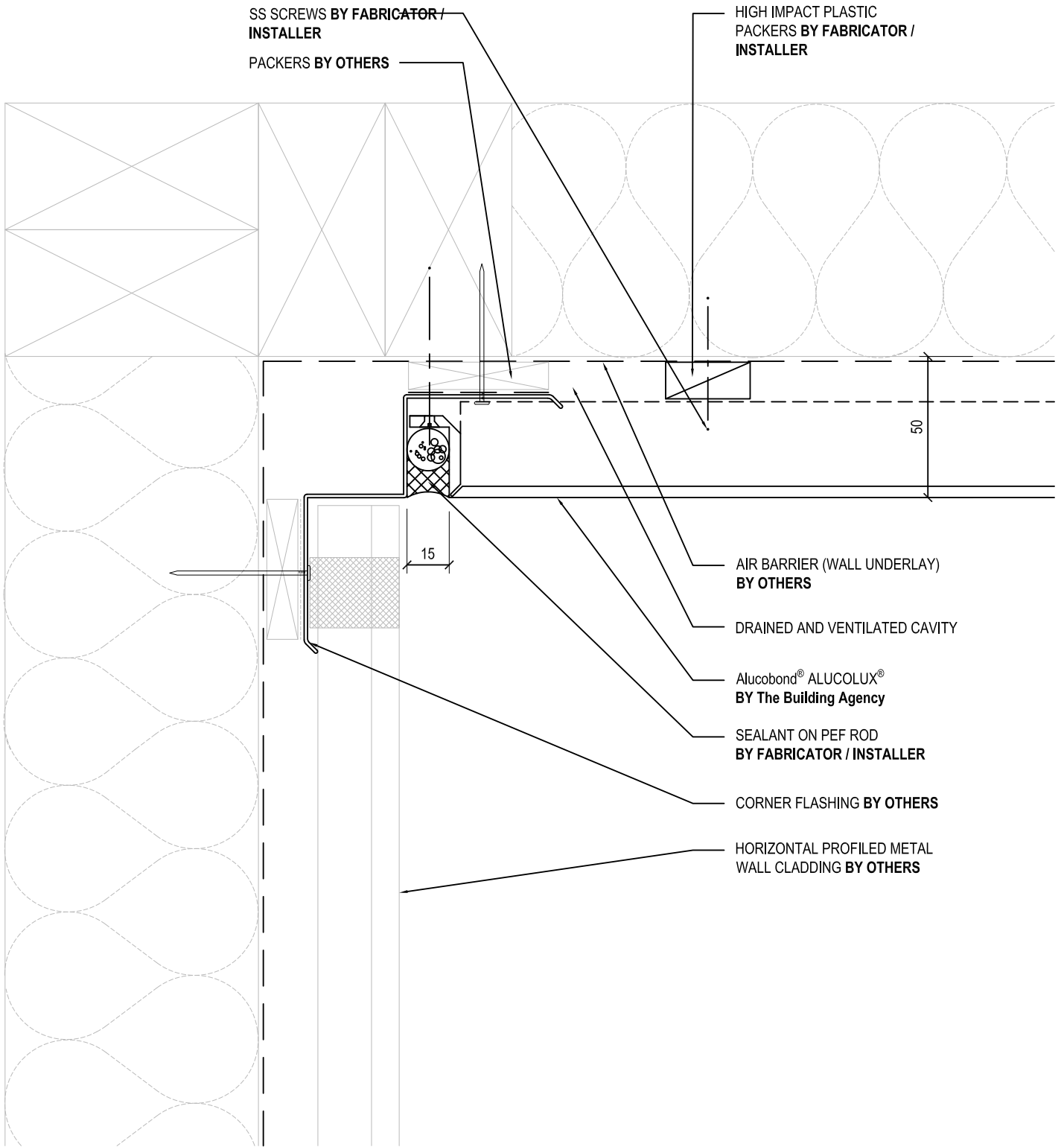
SHEET NO.	ISSUE
19	A
DATE: Jan, 2021	

Copyright © of this drawing shall remain the property of The Building Agency. No part of this document may be reproduced or transmitted by any means without the prior permission in writing of The Building Agency.

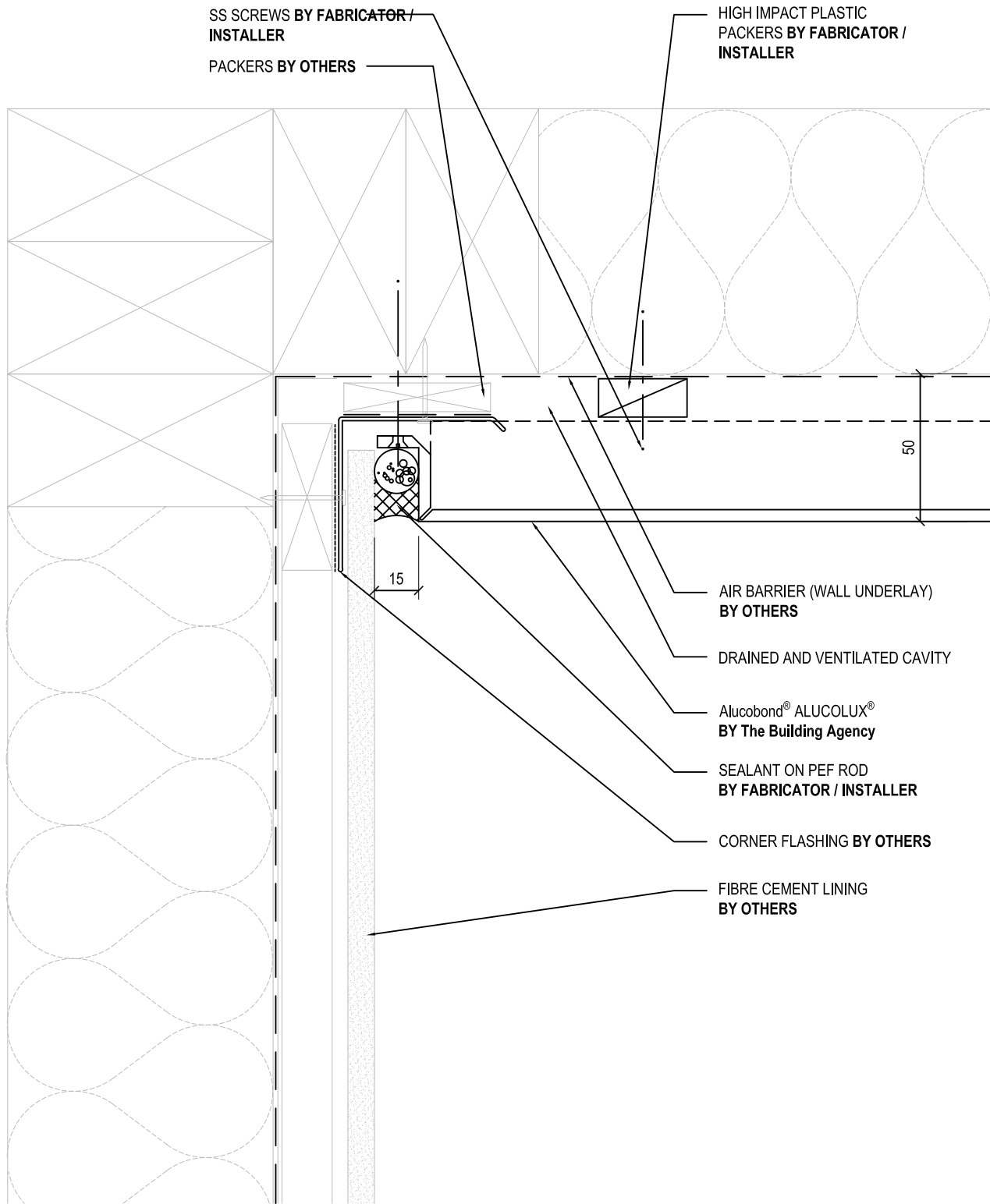
ROUT AND RETURN SYSTEM



ROUT AND RETURN SYSTEM



ROUT AND RETURN SYSTEM



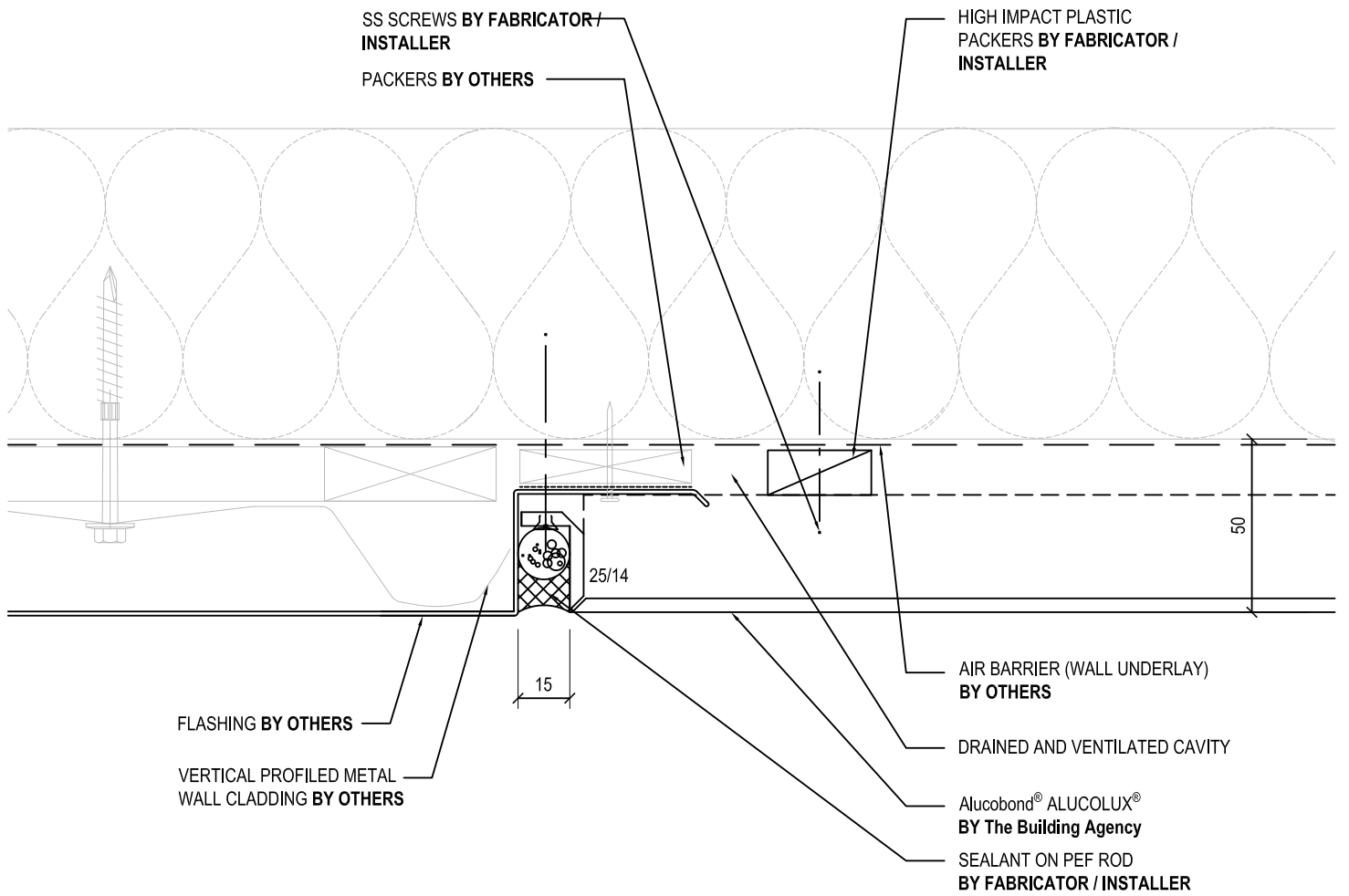
THE BUILDING AGENCY
 14 Link Drive
 Waiuku Valley
 Auckland, New Zealand
 09 415 2669
 www.buildingagency.co.nz

DRAWING TITLE	DRAWING STATUS
INTERNAL CORNER DETAIL 3	ARCHITECTURAL RESOURCE
	SCALE @ A4: 1:2

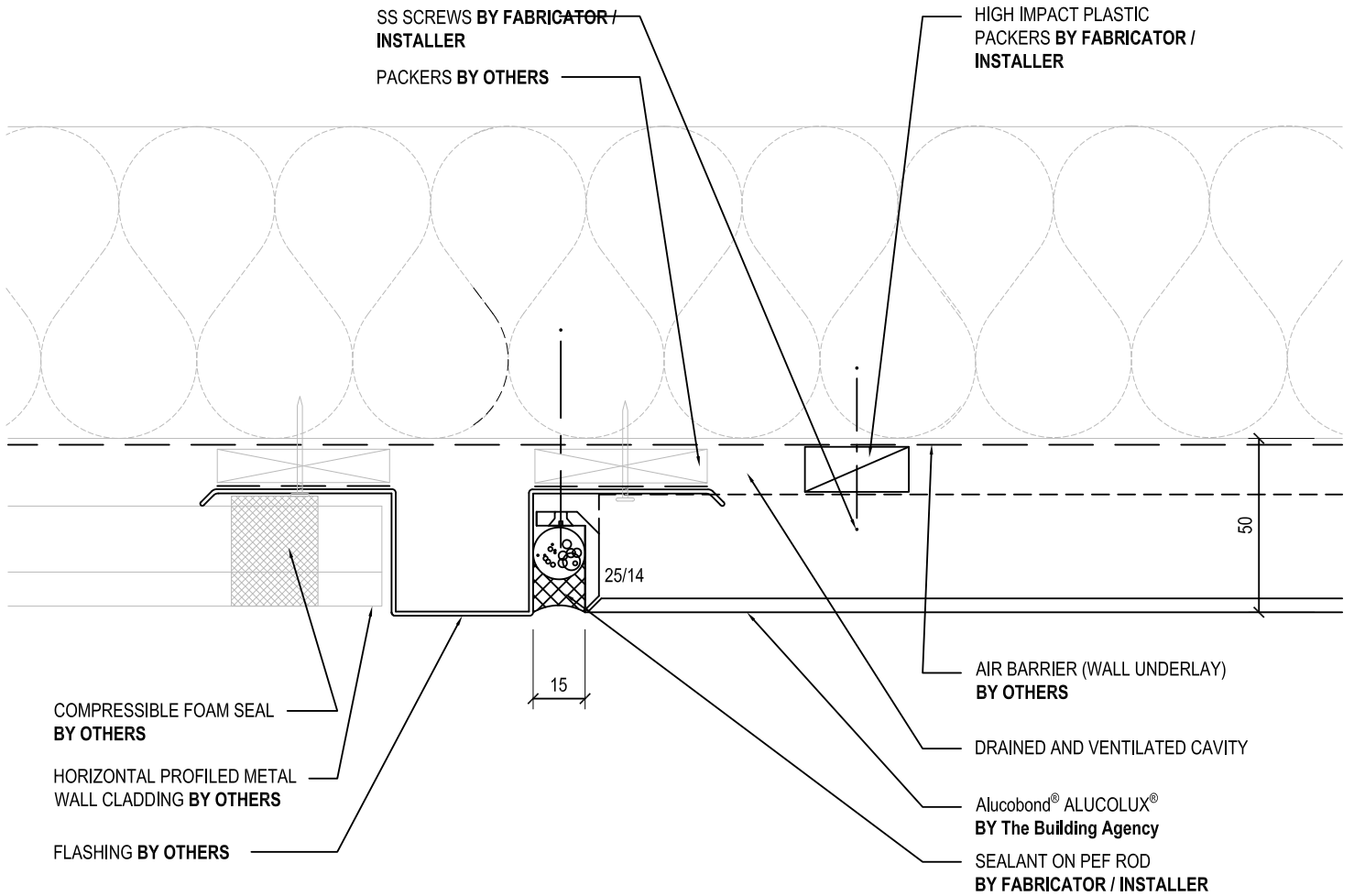
SHEET NO.	ISSUE
22	A
DATE: Jan, 2021	

Copyright © of this drawing shall remain the property of The Building Agency. No part of this document may be reproduced or transmitted by any means without the prior permission in writing of The Building Agency.

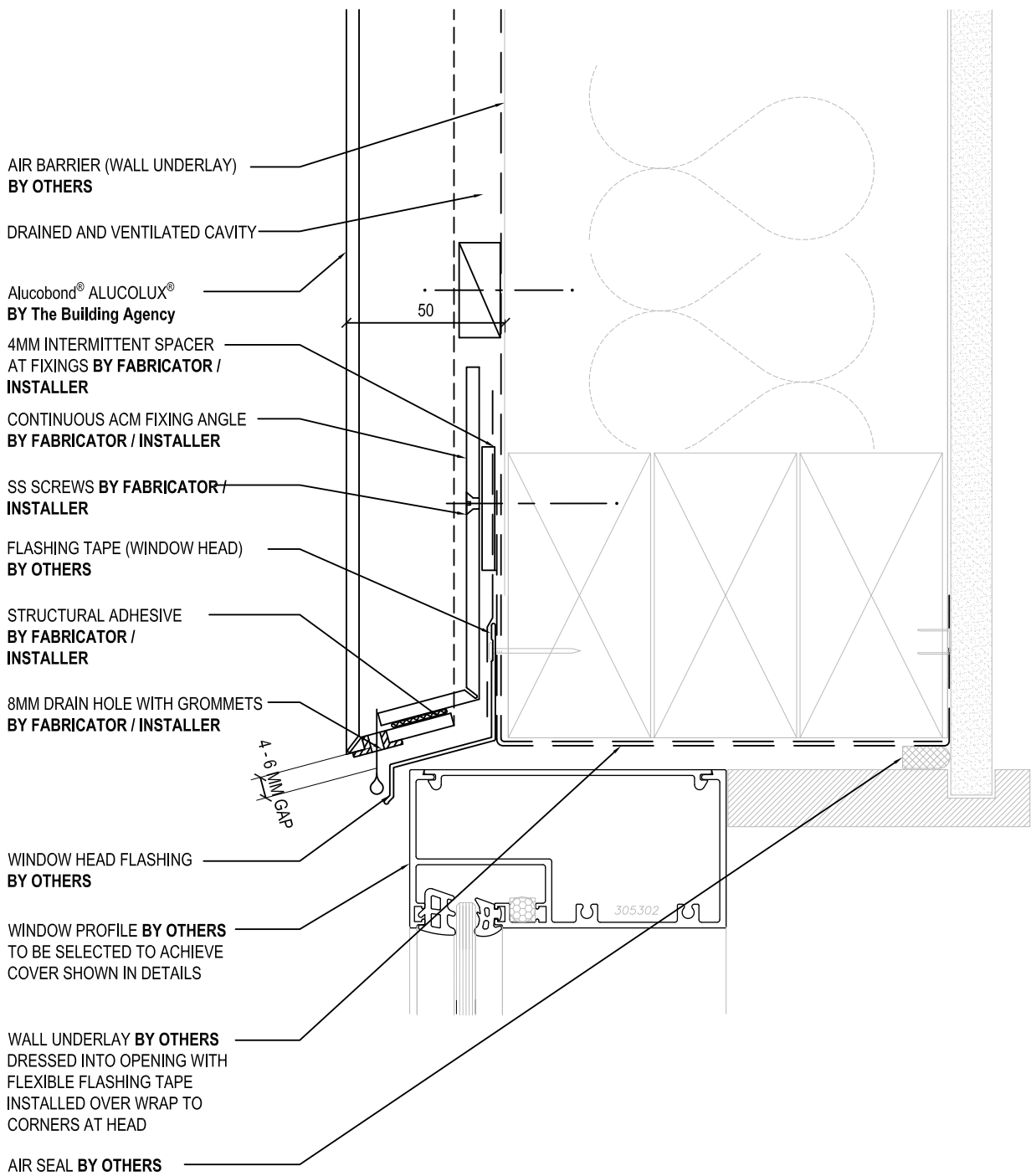
ROUT AND RETURN SYSTEM



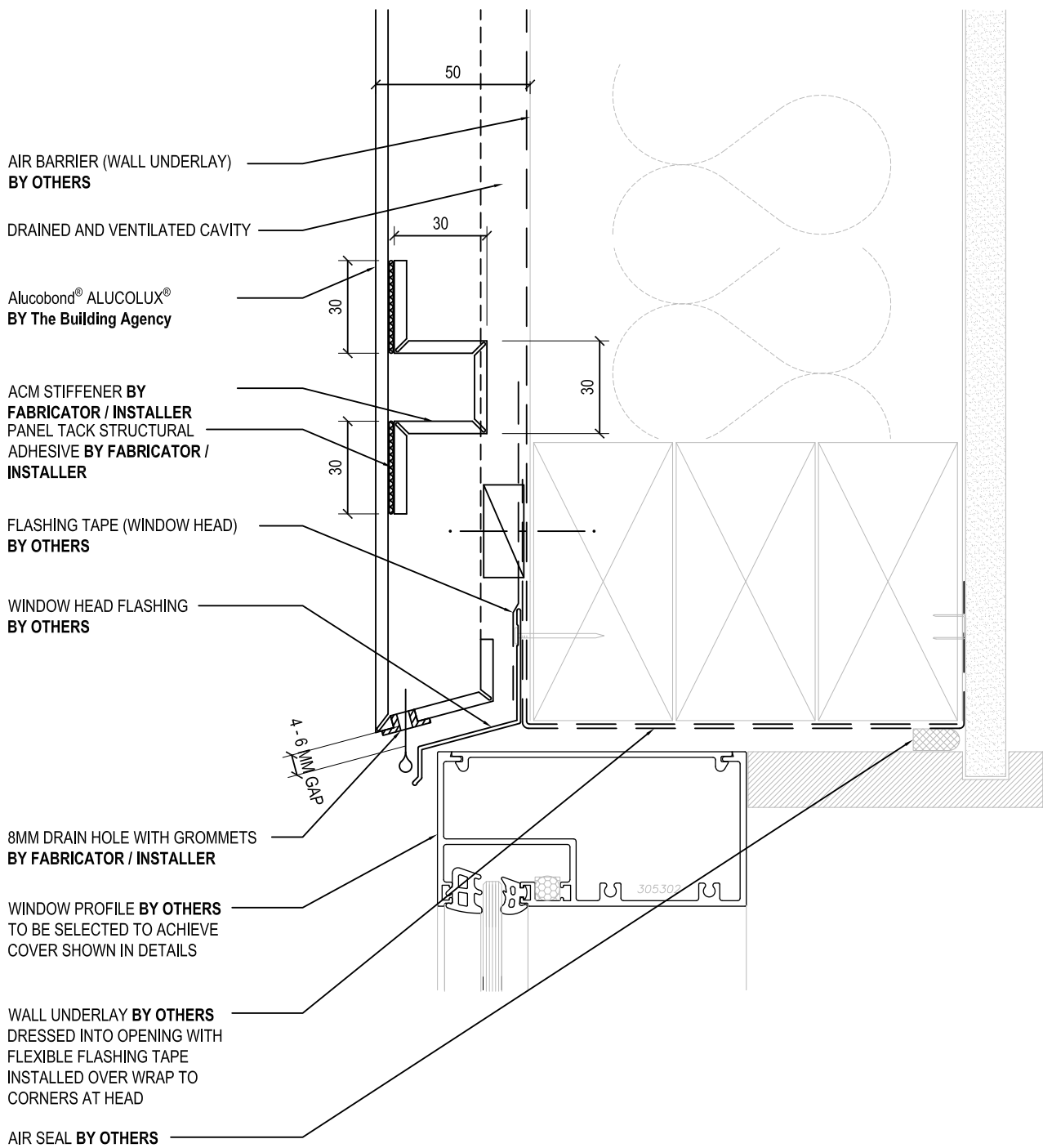
ROUT AND RETURN SYSTEM



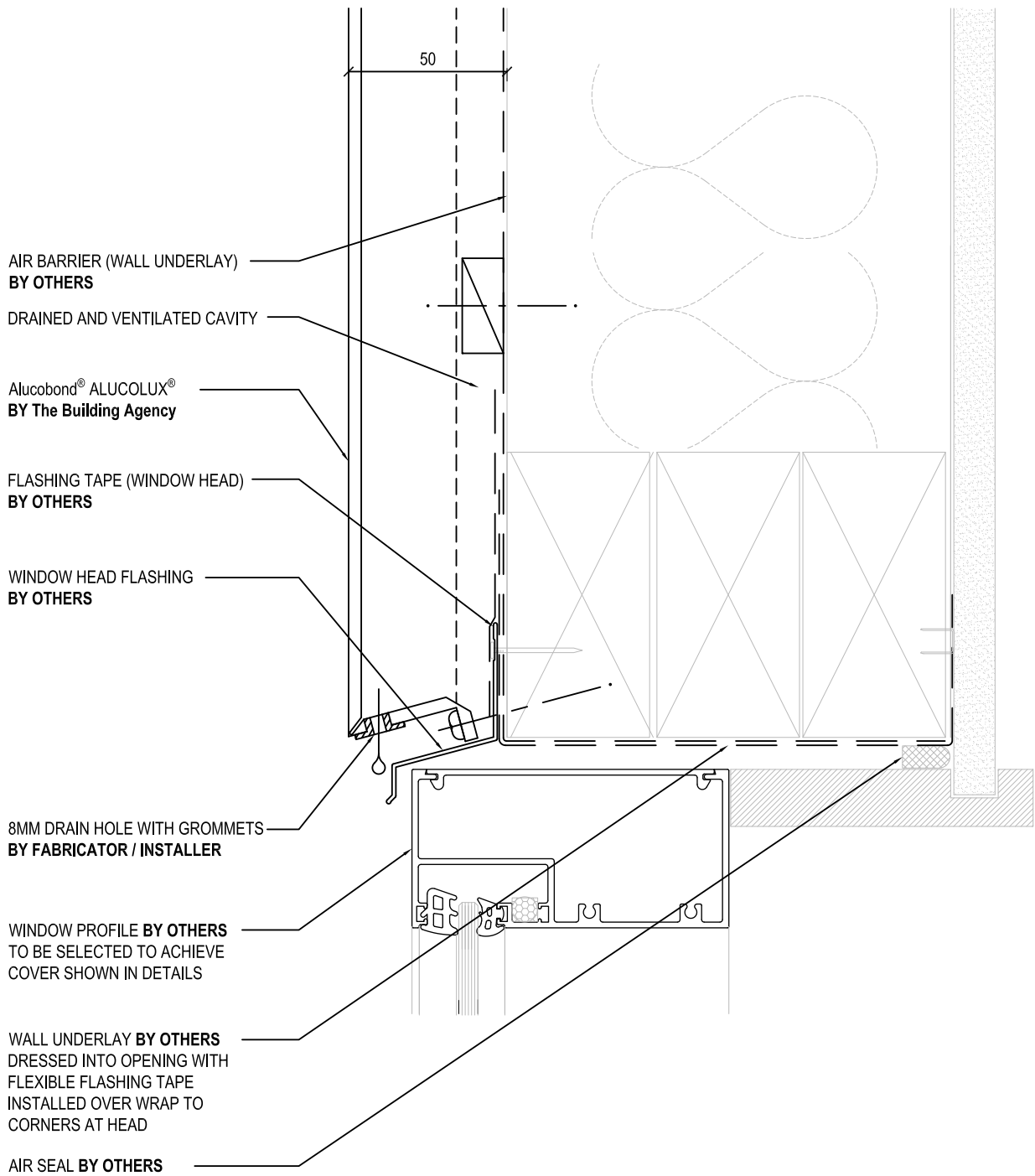
ROUT AND RETURN SYSTEM



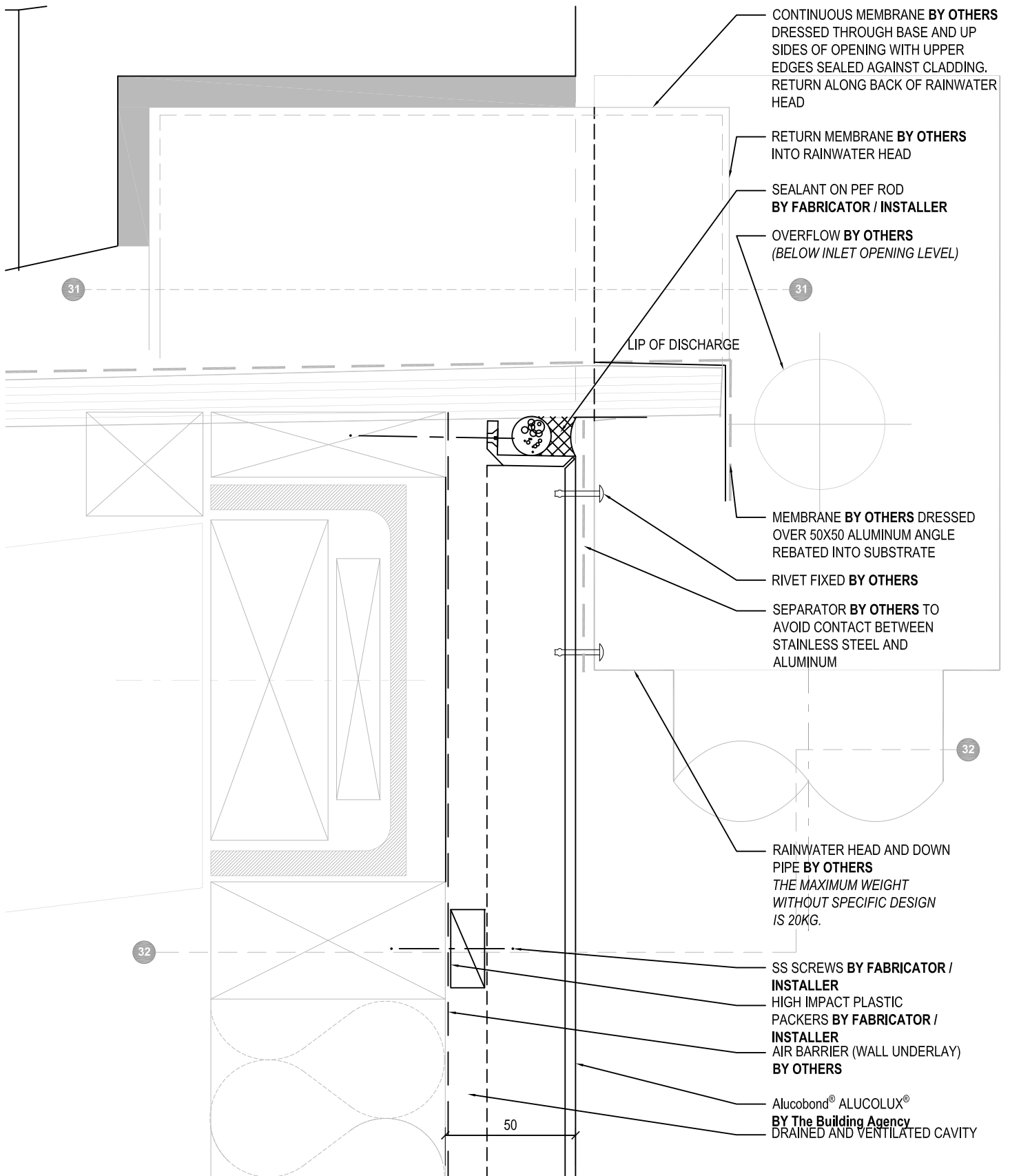
ROUT AND RETURN SYSTEM



ROUT AND RETURN SYSTEM



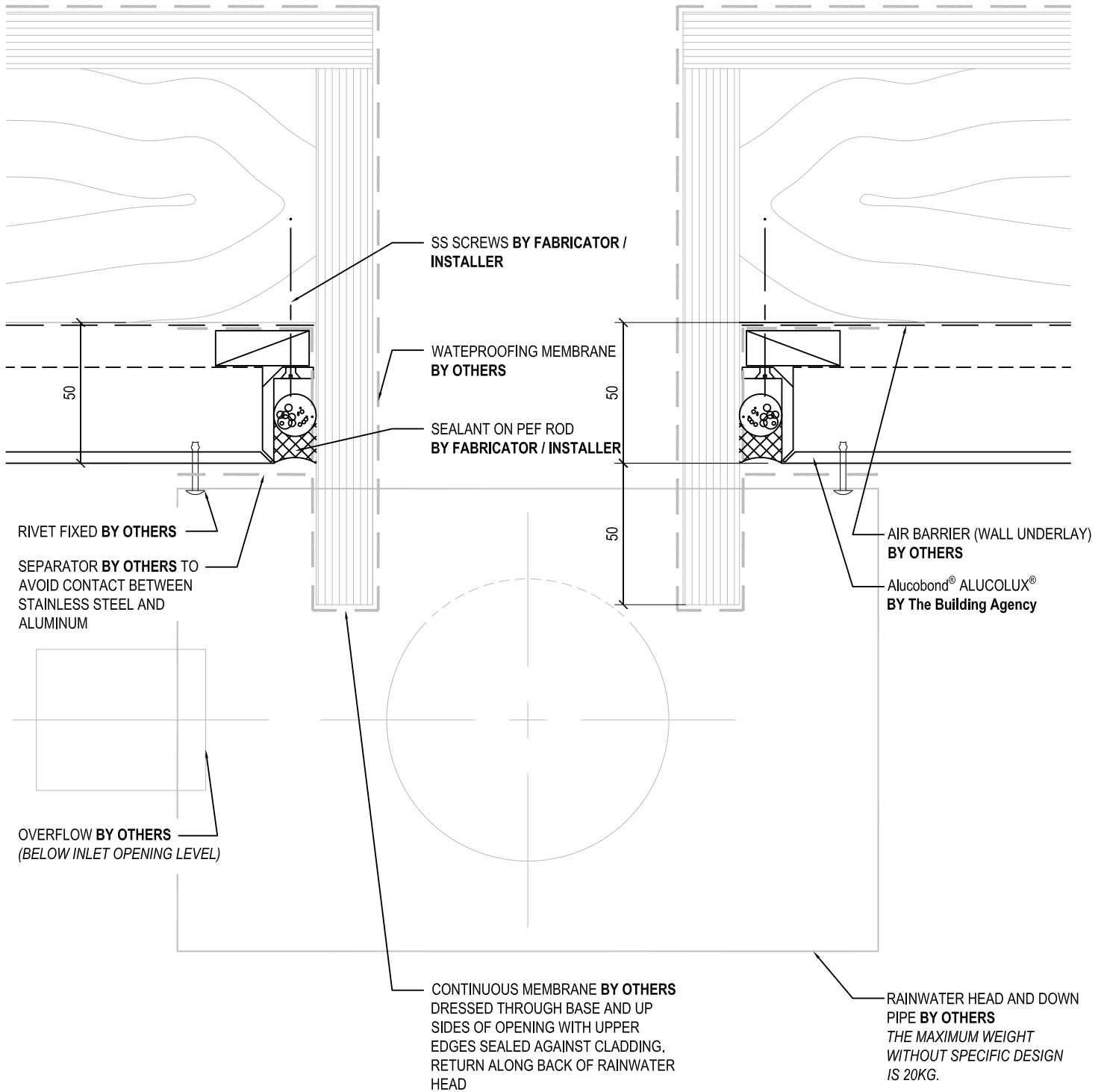
ROUT AND RETURN SYSTEM



NOTE

- TO BE READ WITH SHEET 31 & 32

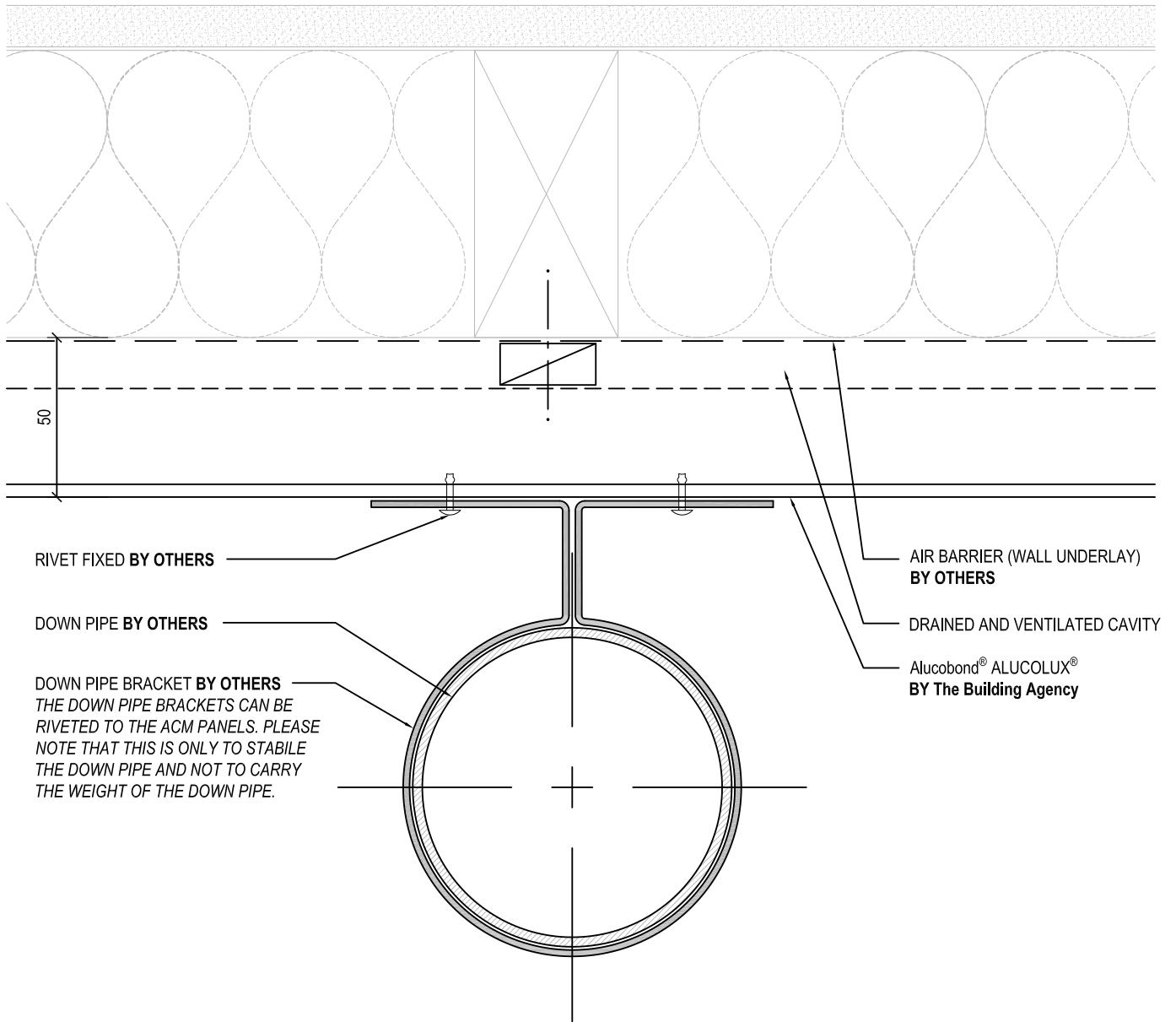
ROUT AND RETURN SYSTEM



NOTE

- TO BE READ WITH SHEET 30 & 32

ROUT AND RETURN SYSTEM



NOTE

- TO BE READ WITH SHEET 30 & 31

ROUT AND RETURN SYSTEM

NOTE

THIS DETAIL CAN ONLY BE USED WHERE THE PANEL CAN BE SLID OVER THE PIPE

Alucobond® ALUCOLUX®
BY The Building Agency

ESCUTCHEON ACM PLATE TO
NEAT FIT ON PIPE BY

FABRICATOR / INSTALLER
SPECIFIED ACM ROLLED
EDGE FINISH BY
FABRICATOR / INSTALLER
ALL AROUND PENETRATION

SEALANT ALL AROUND PENETRATION
BY FABRICATOR / INSTALLER

PIPE BY OTHERS

SERRATED ALUMINIUM ANGLE
SUPPORT ALL AROUND
PENETRATION BY
FABRICATOR / INSTALLER

EXISTING BUILDING LINE

Alucobond® ALUCOLUX®
BY The Building Agency
TOPHAT LINE

ESCUTCHEON ACM PLATE TO
NEAT FIT ON PIPE BY
FABRICATOR / INSTALLER

PIPE MIN 20MMØ

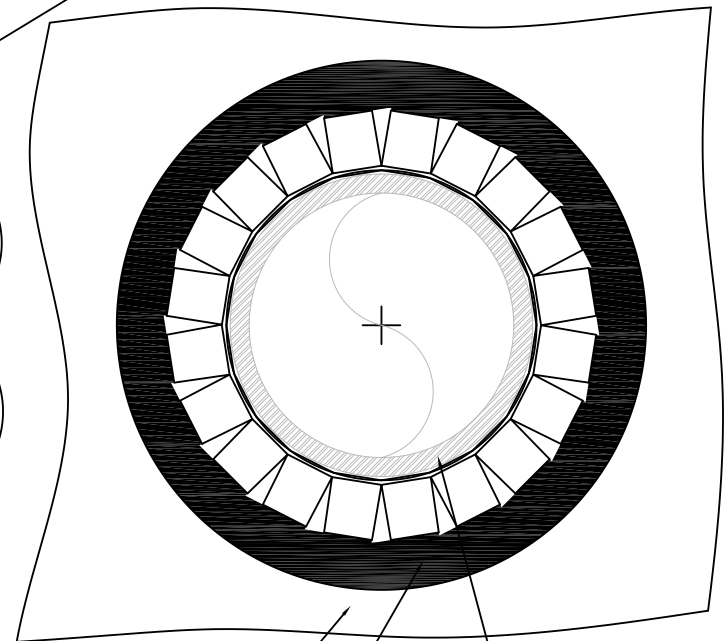
PIPE BY OTHERS

34

50

80

OUTSIDE SIDE ELEVATION INSIDE



Alucobond® ALUCOLUX®
BY The Building Agency

ESCUTCHEON ACM PLATE TO
NEAT FIT ON PIPE BY
FABRICATOR / INSTALLER

PIPE BY OTHERS

BACK ELEVATION

DRAWING TITLE	DRAWING STATUS
STANDARD PENETRATION (Minimum of 20 mm Ø)	ARCHITECTURAL RESOURCE
	SCALE @ A4: 1:2

SHEET NO.	ISSUE
33	A
DATE: Jan, 2021	

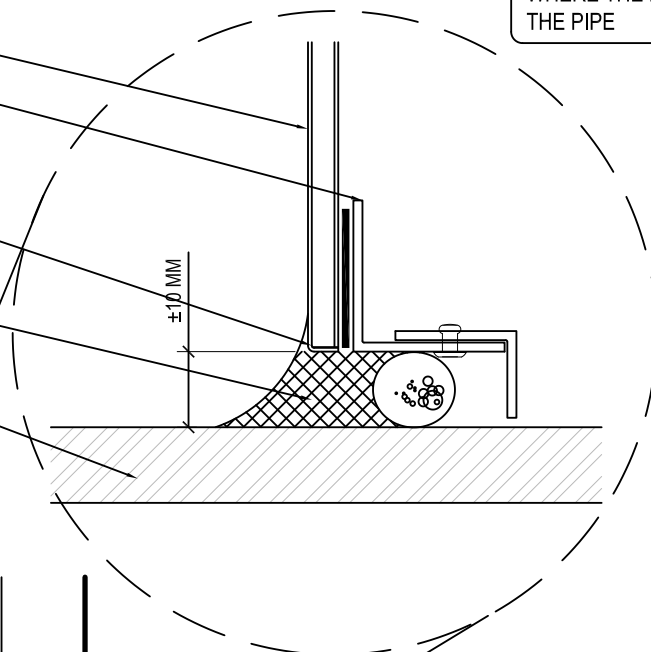
ROUT AND RETURN SYSTEM

NOTE

THIS DETAIL CAN ONLY BE USED WHERE THE PANEL CAN BE SLID OVER THE PIPE

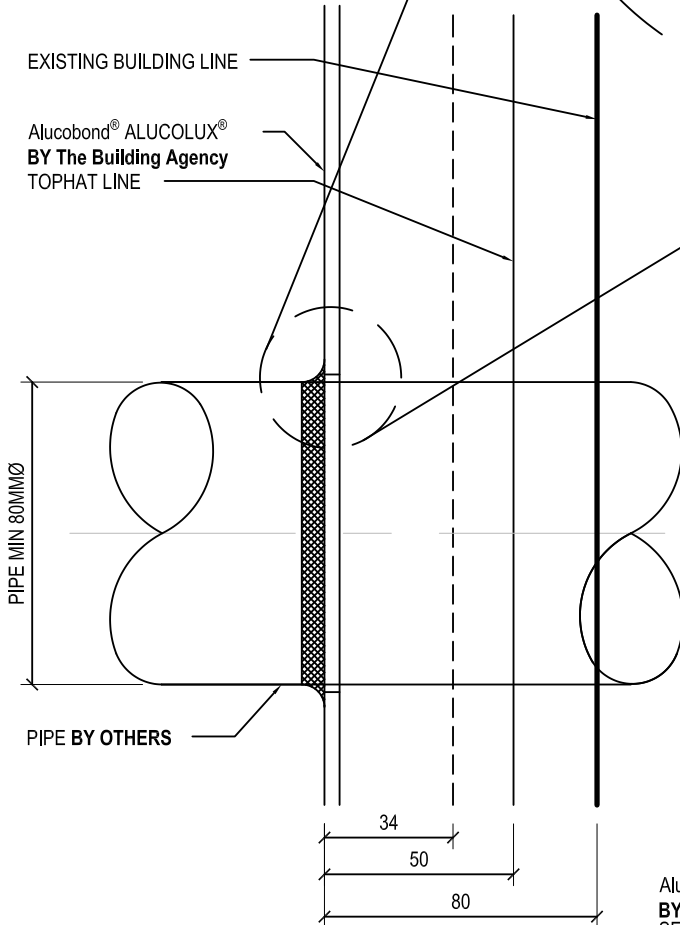
Alucobond® ALUCOLUX®
BY The Building Agency
 SERRATED ALUMINIUM ANGLE
 STRUCTURALLY GLUED FIXED
 WITH 3M VHB DOUBLE SIDED
 TAPE **BY FABRICATOR /**
INSTALLER
 SPECIFIED ACM ROLLED
 EDGE FINISH **BY**
FABRICATOR / INSTALLER
 ALL AROUND PENETRATION
 SEALANT ON PEF ROD
BY FABRICATOR / INSTALLER

PIPE **BY OTHERS**



EXISTING BUILDING LINE

Alucobond® ALUCOLUX®
BY The Building Agency
 TOPHAT LINE

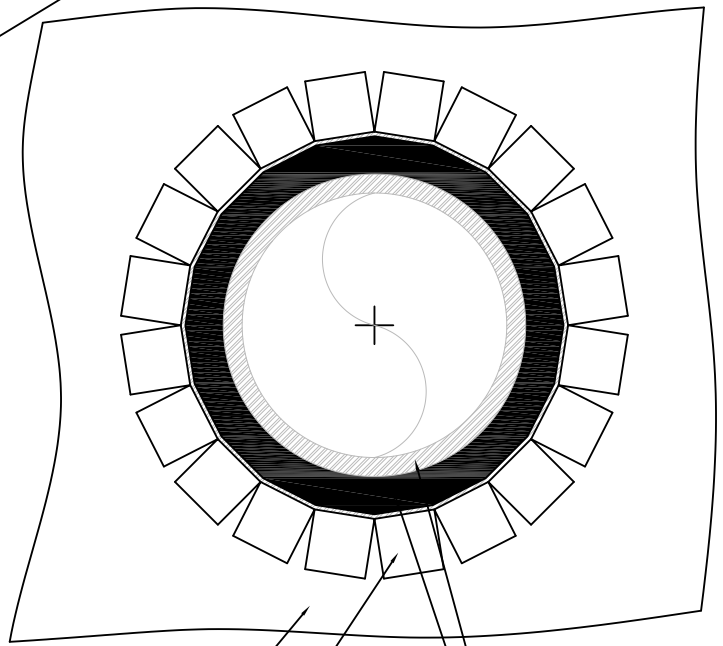


OUTSIDE SIDE ELEVATION INSIDE

Alucobond® ALUCOLUX®
BY The Building Agency
 SERRATED ALUMINIUM ANGLE
 STRUCTURALLY GLUED FIXED
 WITH 3M VHB DOUBLE SIDED
 TAPE **BY FABRICATOR /**
INSTALLER

PIPE **BY OTHERS**

SEALANT ON PEF ROD
BY FABRICATOR / INSTALLER



BACK ELEVATION

DRAWING TITLE	DRAWING STATUS
STANDARD PENETRATION (Minimum of 80 mm Ø)	ARCHITECTURAL RESOURCE
	SCALE @ A4: 1:2

SHEET NO.	ISSUE
34	A
DATE: Jan, 2021	

ROUT AND RETURN SYSTEM

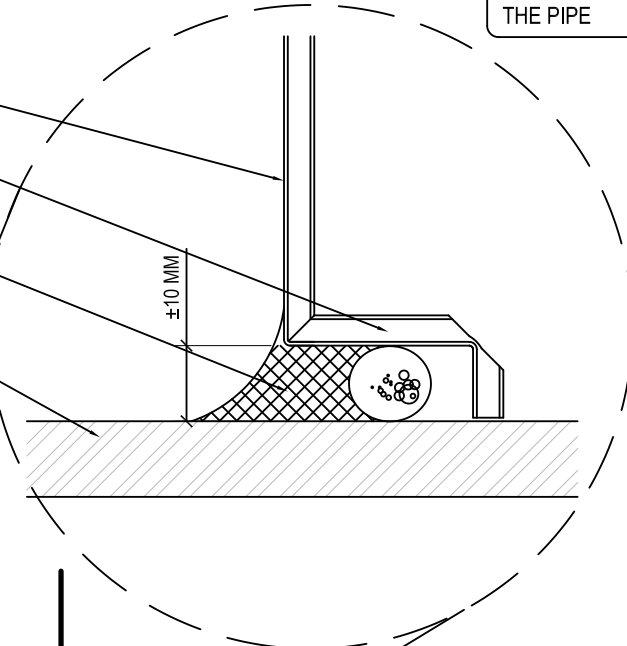
NOTE

THIS DETAIL CAN ONLY BE USED WHERE THE PANEL CAN BE SLID OVER THE PIPE

Alucobond® ALUCOLUX®
BY The Building Agency
SERRATED STANDARD ACM LEG
BY FABRICATOR / INSTALLER

SEALANT ON PEF ROD
BY FABRICATOR / INSTALLER

PIPE BY OTHERS

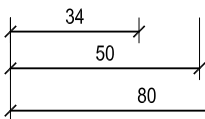


EXISTING BUILDING LINE

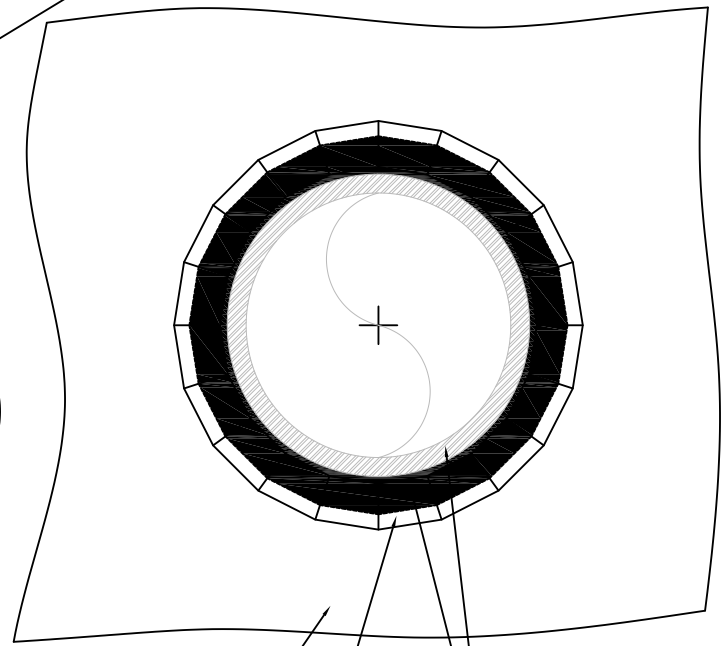
Alucobond® ALUCOLUX®
BY The Building Agency
TOPHAT LINE

PIPE MIN 200MMØ

PIPE BY OTHERS



OUTSIDE SIDE ELEVATION INSIDE



Alucobond® ALUCOLUX®
BY The Building Agency
SERRATED STANDARD ACM LEG
BY FABRICATOR / INSTALLER

PIPE BY OTHERS

SEALANT ON PEF ROD
BY FABRICATOR / INSTALLER

BACK ELEVATION

DRAWING TITLE	DRAWING STATUS
STANDARD PENETRATION (Minimum of 200 mm Ø)	ARCHITECTURAL RESOURCE
	SCALE @ A4: 1:2

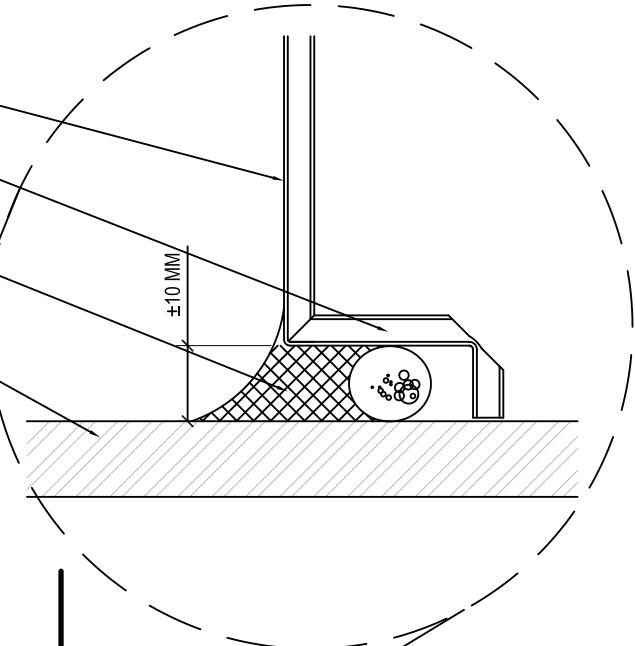
SHEET NO.	ISSUE
35	A
DATE: Jan, 2021	

ROUT AND RETURN SYSTEM

Alucobond® ALUCOLUX®
BY The Building Agency
 SERRATED STANDARD ACM LEG
BY FABRICATOR / INSTALLER

SEALANT ON PEF ROD
BY FABRICATOR / INSTALLER

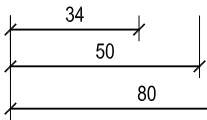
PIPE BY OTHERS



EXISTING BUILDING LINE
 Alucobond® ALUCOLUX®
BY The Building Agency
 TOPHAT LINE

PIPE MIN 200MMØ

PIPE BY OTHERS

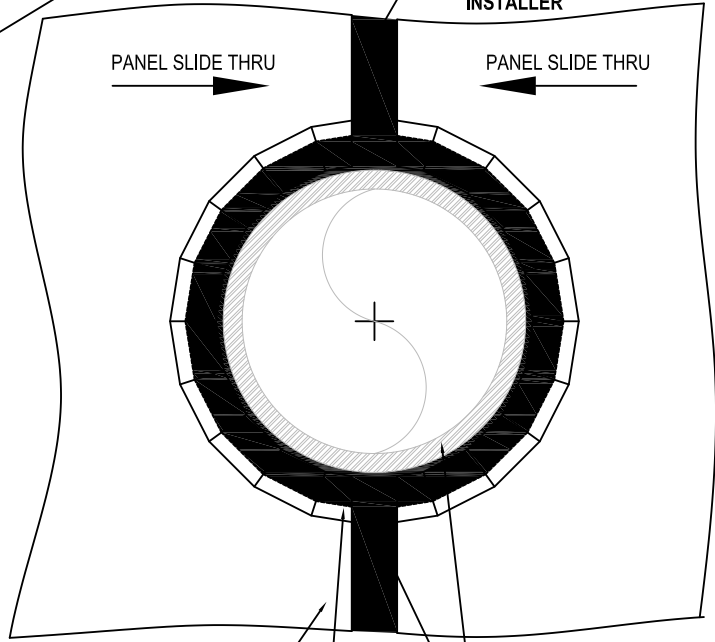


OUTSIDE SIDE ELEVATION INSIDE

15MM STANDARD JOINT
BY FABRICATOR / INSTALLER

PANEL SLIDE THRU

PANEL SLIDE THRU



Alucobond® ALUCOLUX®
BY The Building Agency
 SERRATED STANDARD ACM LEG
BY FABRICATOR / INSTALLER

PIPE BY OTHERS

SEALANT ON PEF ROD
BY FABRICATOR / INSTALLER

BACK ELEVATION

THE BUILDING AGENCY
 MATERIALS • SYSTEMS • SOLUTIONS
 14 Link Drive
 Waikau Valley
 Auckland, New Zealand
 09 415 2669
 www.buildingagency.co.nz

DRAWING TITLE	DRAWING STATUS
STANDARD PENETRATION (Minimum of 200 mm Ø)	ARCHITECTURAL RESOURCE
	SCALE @ A4: 1:2

SHEET NO.	ISSUE
36	A
DATE: Jan, 2021	

ROUT AND RETURN SYSTEM

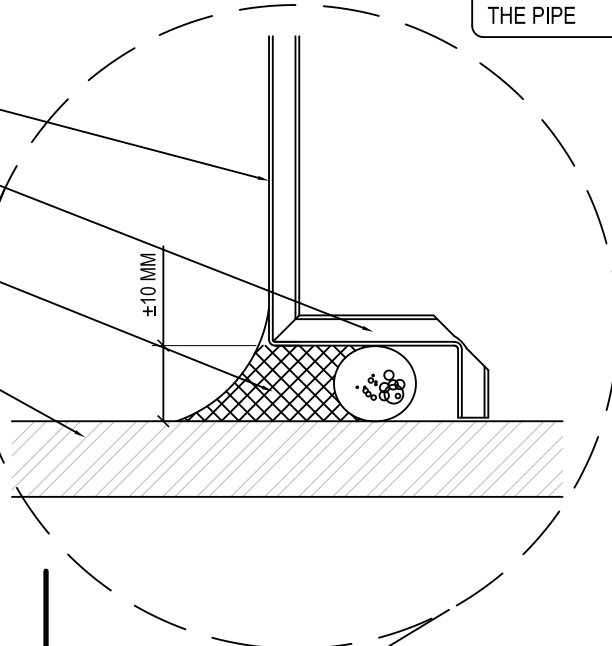
NOTE

THIS DETAIL CAN ONLY BE USED WHERE THE PANEL CAN BE SLID OVER THE PIPE

Alucobond® ALUCOLUX®
BY The Building Agency
SERRATED STANDARD ACM LEG
BY FABRICATOR / INSTALLER

SEALANT ON PEF ROD
BY FABRICATOR / INSTALLER

RHS OR SHS PIPE
BY OTHERS

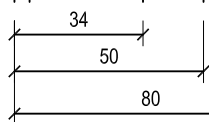


EXISTING BUILDING LINE

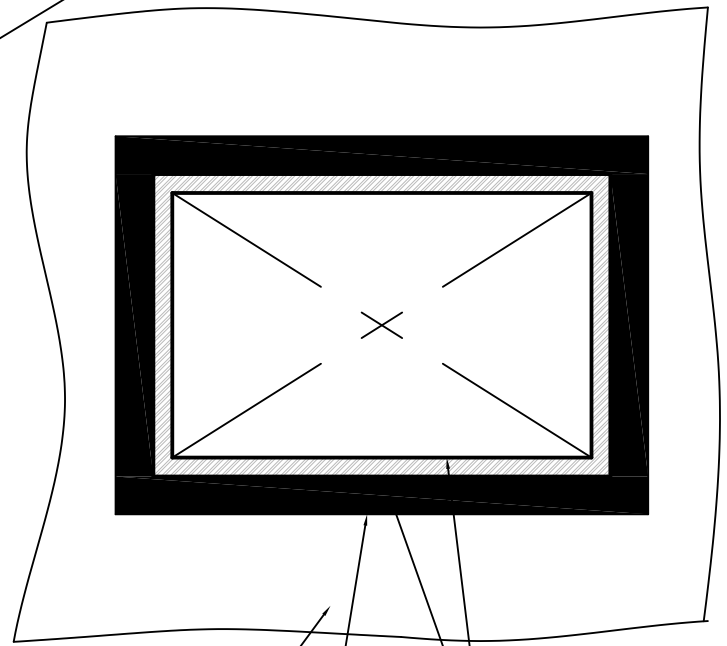
Alucobond® ALUCOLUX®
BY The Building Agency
TOPHAT LINE

HEIGHT

RHS OR SHS PIPE
BY OTHERS



OUTSIDE SIDE ELEVATION INSIDE



Alucobond® ALUCOLUX®
BY The Building Agency

SERRATED STANDARD ACM LEG
BY FABRICATOR / INSTALLER

RHS OR SHS PIPE
BY OTHERS

SEALANT ON PEF ROD
BY FABRICATOR / INSTALLER

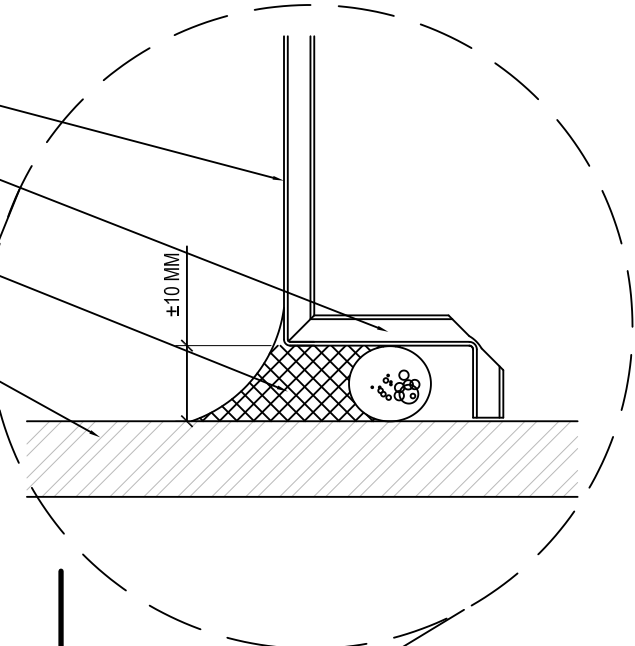
BACK ELEVATION

ROUT AND RETURN SYSTEM

Alucobond® ALUCOLUX®
BY The Building Agency
 SERRATED STANDARD ACM LEG
BY FABRICATOR / INSTALLER

SEALANT ON PEF ROD
BY FABRICATOR / INSTALLER

RHS OR SHS PIPE
BY OTHERS

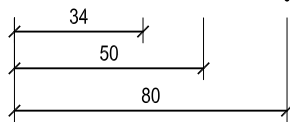


EXISTING BUILDING LINE

Alucobond® ALUCOLUX®
BY The Building Agency
 TOPHAT LINE

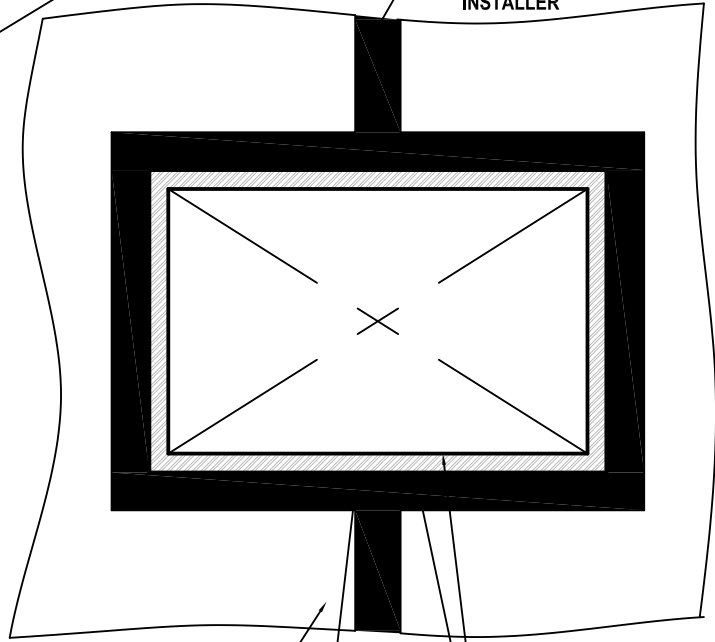
HEIGHT

RHS OR SHS PIPE
BY OTHERS



OUTSIDE SIDE ELEVATION **INSIDE**

15MM STANDARD JOINT
BY FABRICATOR / INSTALLER



Alucobond® ALUCOLUX®
BY The Building Agency
 SERRATED STANDARD ACM LEG
BY FABRICATOR / INSTALLER

RHS OR SHS PIPE
BY OTHERS

SEALANT ON PEF ROD
BY FABRICATOR / INSTALLER

BACK ELEVATION

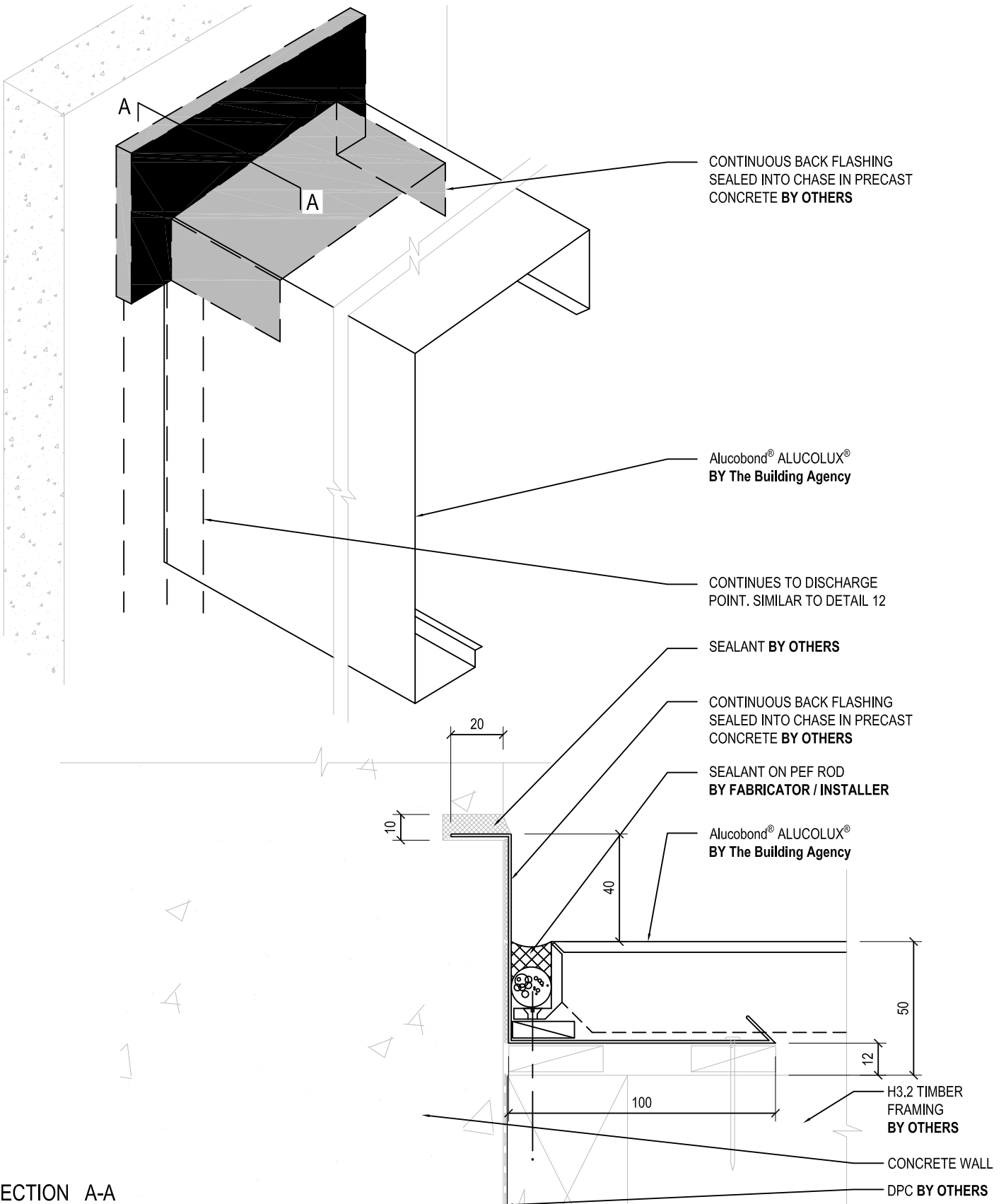
THE BUILDING AGENCY
 MATERIALS • SYSTEMS • SOLUTIONS
 14 Link Drive
 Waiuku Valley
 Auckland, New Zealand
 09 415 2669
 www.buildingagency.co.nz

DRAWING TITLE	DRAWING STATUS
STANDARD PENETRATION (RHS OR SHS PIPE SECTION)	ARCHITECTURAL RESOURCE
	SCALE @ A4: 1:2

SHEET NO.	ISSUE
38	A
DATE: Jan, 2021	

Copyright © of this drawing shall remain the property of The Building Agency. No part of this document may be reproduced or transmitted by any means without the prior permission in writing of The Building Agency.

ROUT AND RETURN SYSTEM



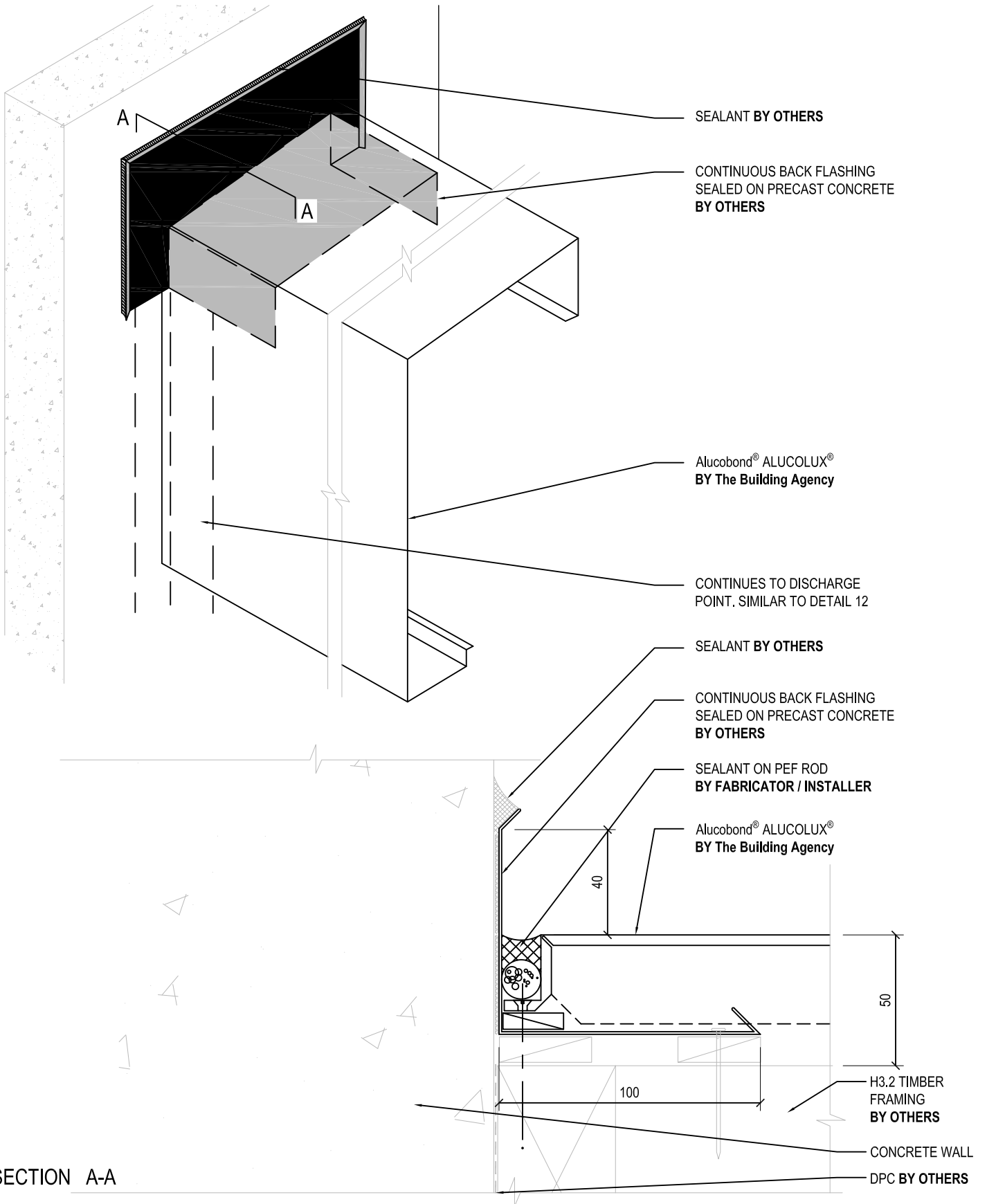
SECTION A-A

NOTE

 <p>14 Link Drive Waikou Valley Auckland, New Zealand 09 415 2669 www.buildingagency.co.nz</p>	DRAWING TITLE	DRAWING STATUS	
	<p>SADDLE FLASHING CHASED TO CONCRETE</p>	<p>ARCHITECTURAL RESOURCE</p>	
		<p>SCALE @ A4: 1:2</p>	<p>SHEET NO. 39</p>
<p>DATE: Jan, 2021</p>			

Copyright © of this drawing shall remain the property of The Building Agency. No part of this document may be reproduced or transmitted by any means without the prior permission in writing of The Building Agency.

ROUT AND RETURN SYSTEM



SECTION A-A

THE BUILDING AGENCY
 MATERIALS • SYSTEMS • SOLUTIONS

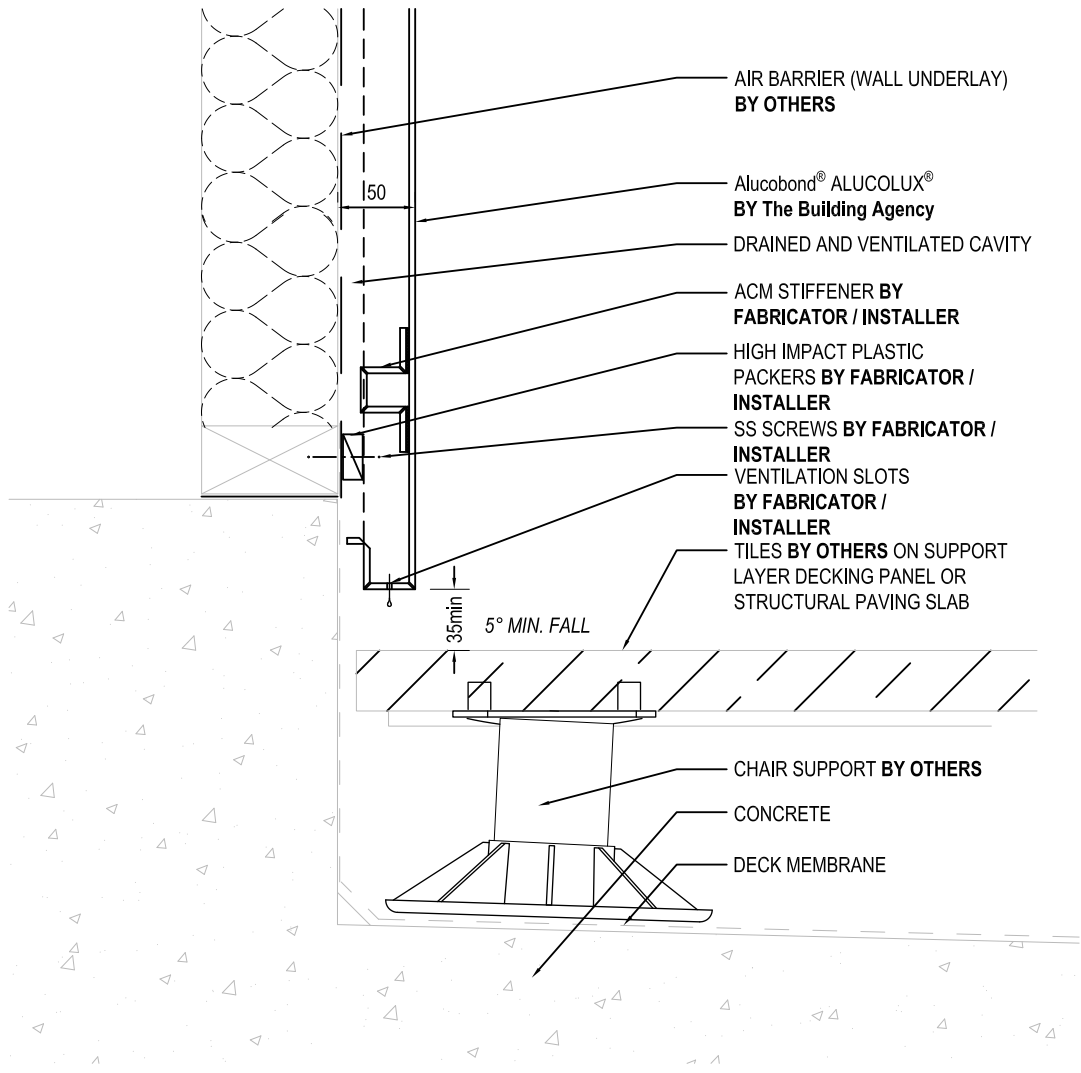
14 Link Drive
 Waiuku Valley
 Auckland, New Zealand
 09 415 2669
 www.buildingagency.co.nz

DRAWING TITLE	DRAWING STATUS
SADDLE FLASHING IN BIRD BEAK	ARCHITECTURAL RESOURCE
SCALE @ A4: 1:2	

SHEET NO.	ISSUE
40	A
DATE: Jan, 2021	

Copyright © of this drawing shall remain the property of The Building Agency. No part of this document may be reproduced or transmitted by any means without the prior permission in writing of The Building Agency.

ROUT AND RETURN SYSTEM



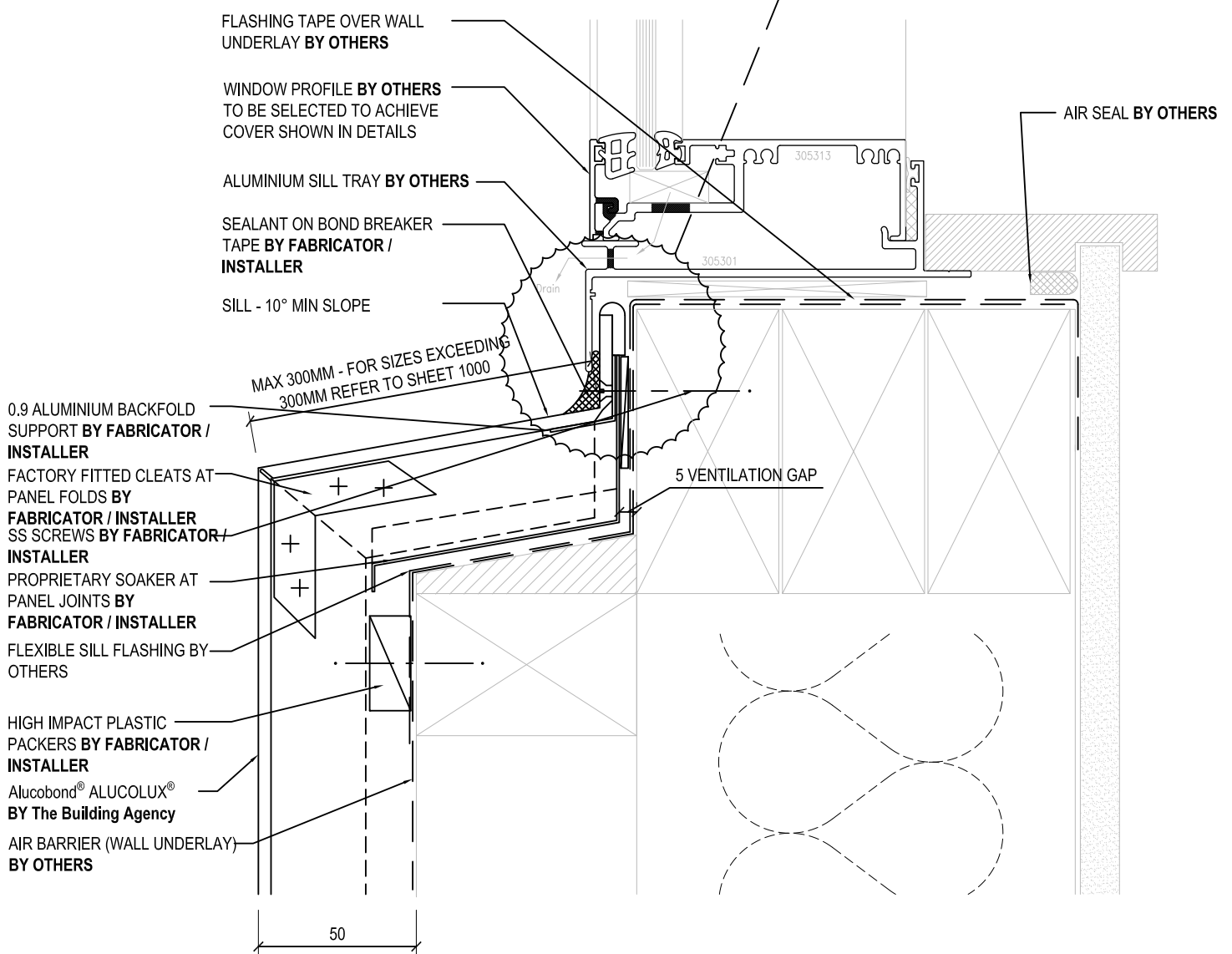
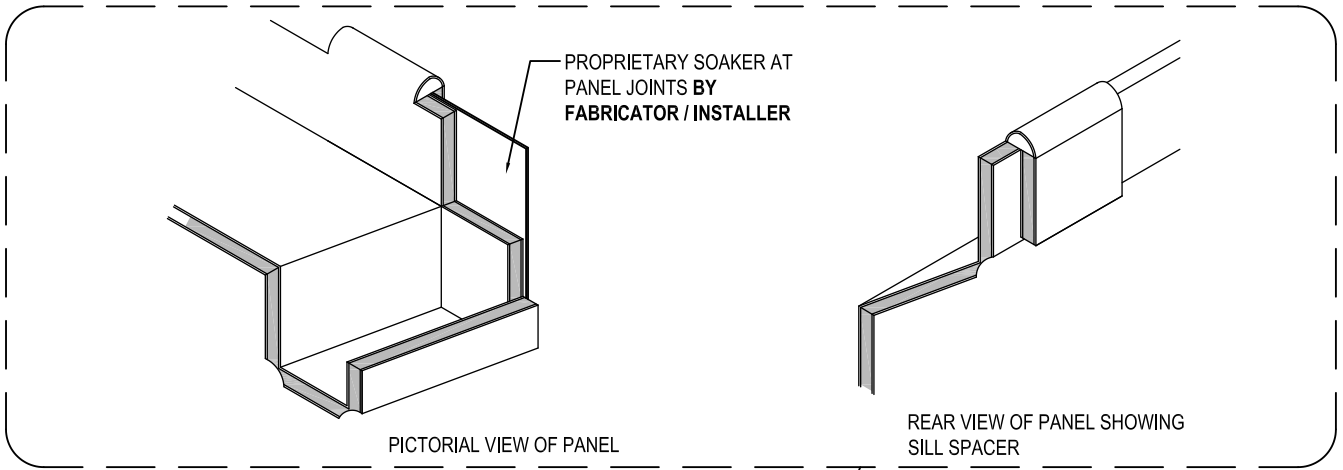
THE BUILDING AGENCY
 14 Link Drive
 Waiuku Valley
 Auckland, New Zealand
 09 415 2669
 www.buildingagency.co.nz

DRAWING TITLE
SAMPLE DECK DETAIL

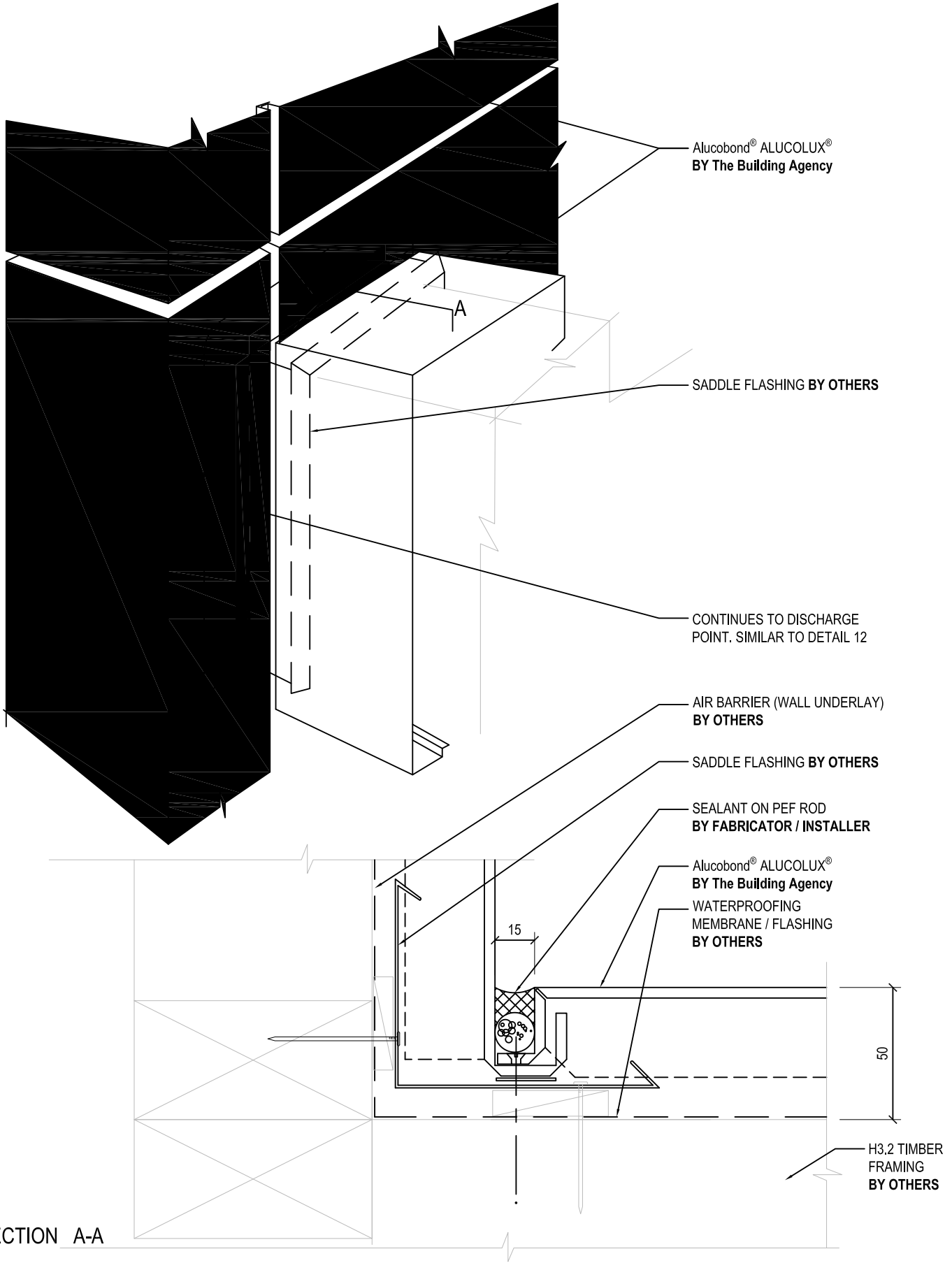
DRAWING STATUS		<small>SHEET NO.</small>	<small>ISSUE</small>
ARCHITECTURAL RESOURCE		42	A
<small>SCALE @ A4: 1:5</small>		<small>DATE: Jan, 2021</small>	

Copyright © of this drawing shall remain the property of The Building Agency. No part of this document may be reproduced or transmitted by any means without the prior permission in writing of The Building Agency.

ROUT AND RETURN SYSTEM



ROUT AND RETURN SYSTEM



THE BUILDING AGENCY
MATERIALS • SYSTEMS • SOLUTIONS

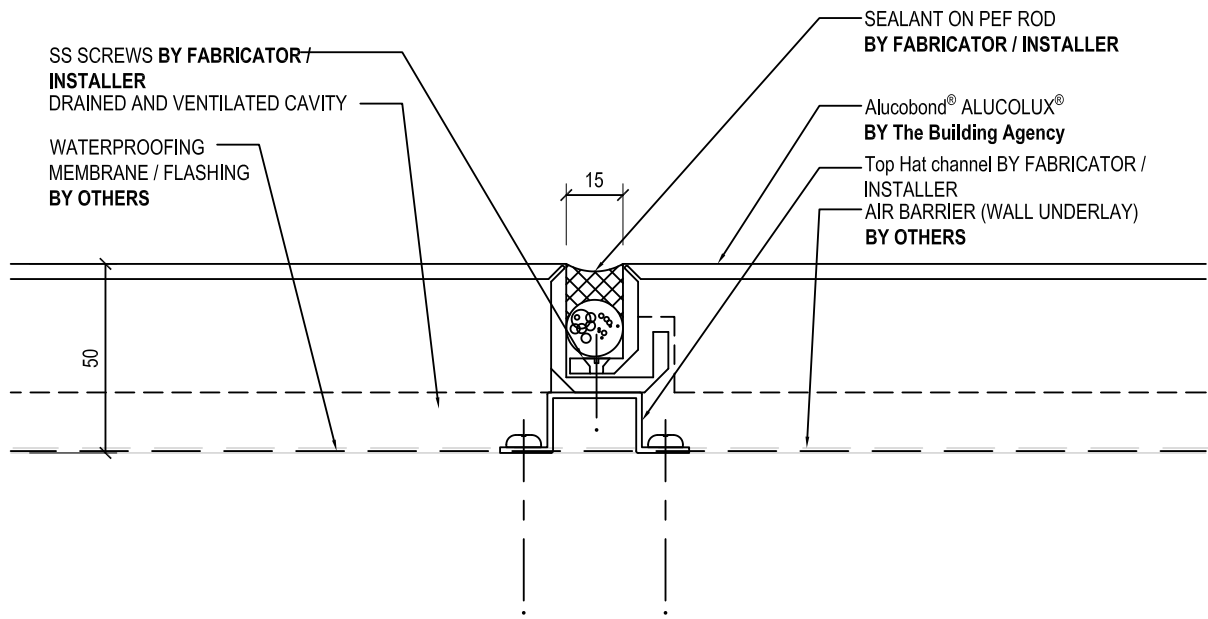
14 Link Drive
Waikau Valley
Auckland, New Zealand
09 415 2669
www.buildingagency.co.nz

DRAWING TITLE	DRAWING STATUS
ACM TO ACM CONNECTION	ARCHITECTURAL RESOURCE
	SCALE @ A4: 1:2

SHEET NO.	ISSUE
44	A
DATE: Jan, 2021	

Copyright © of this drawing shall remain the property of The Building Agency. No part of this document may be reproduced or transmitted by any means without the prior permission in writing of The Building Agency.

ROUT AND RETURN SYSTEM



NOTE

- THIS DETAIL APPLIES TO ACM JOINTS LONGER THAN 300MM SLOPING LESS THAN 30°.

Copyright © of this drawing shall remain the property of The Building Agency. No part of this document may be reproduced or transmitted by any means without the prior permission in writing of The Building Agency.