



ALUMINIUM COMPOSITE CLADDING SYSTEM

OPEN JOINT SYSTEM TYPICAL DETAILS

CONTENTS

- 1.0 PLAN - VERTICAL JOINT
- 2.0 SECTION - HORIZONTAL JOINT
- 3.0 SECTION - WINDOW HEAD DETAIL
 - PLAN - WINDOW JAMB DETAIL
- 3.1 SECTION - WINDOW SILL DETAIL
- 3.2 SECTION - SOFFIT JUNCTION
- 3.3 PLAN - WALL JUNCTION
 - SECTION - PIN DETAIL
- 4.0 SECTION - ROOF JUNCTION
- 4.1 PLAN - CORNER DETAIL
- 5.0 SECTION - BASE DETAIL
- 5.1 SECTION - BASE DETAIL

Framing note: Timber framing by others is to be at 600 centers max for both studs & noggs. This may be required at closer centers subject to engineering requirements.

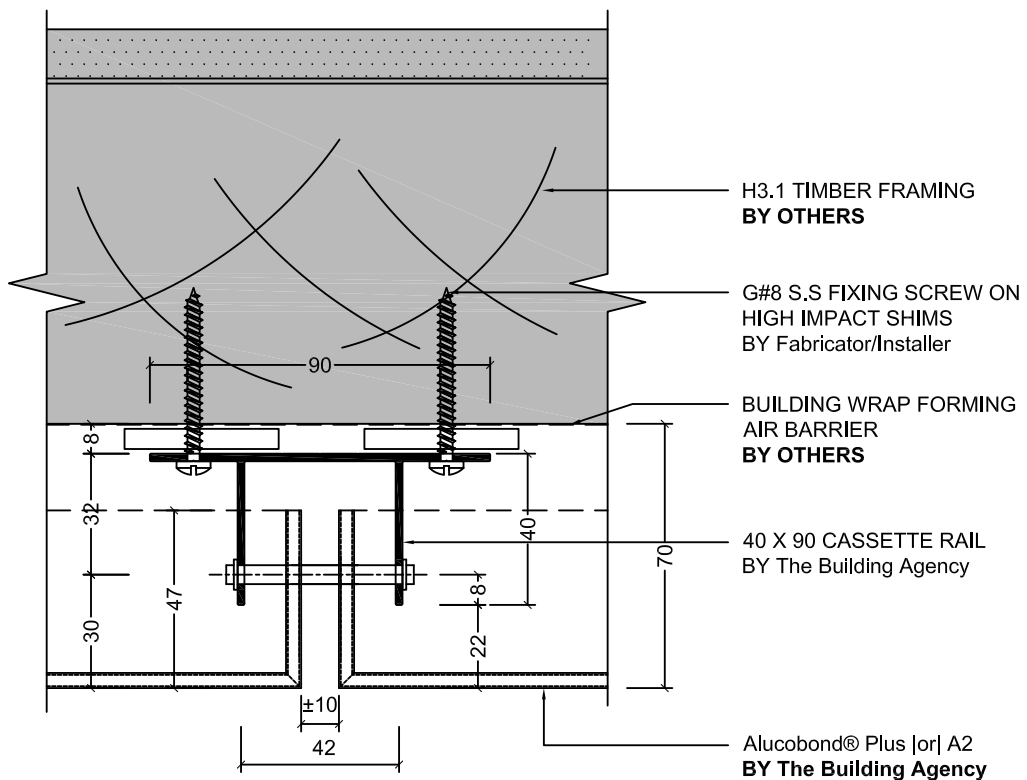
Rigid air barrier note: As per E2/AS1 Table 23. With the addition that, where a rigid wall underlay is required, a flexible membrane over the rigid element is required as well.

Cavity Battens are not required with this cavity system as a cavity is formed between the fixing angles and structure with high impact plastic packers ("H"packers). Nominal cavity depth is 40mm from structure to outer face of panel. In some situations (when interfacing with residential joinery profiles) this cavity is may be deeper. Any instance where cavity is pushed beyond 60mm may require the installation of 20mm cavity battens by others.



ALUMINIUM COMPOSITE CLADDING SYSTEM

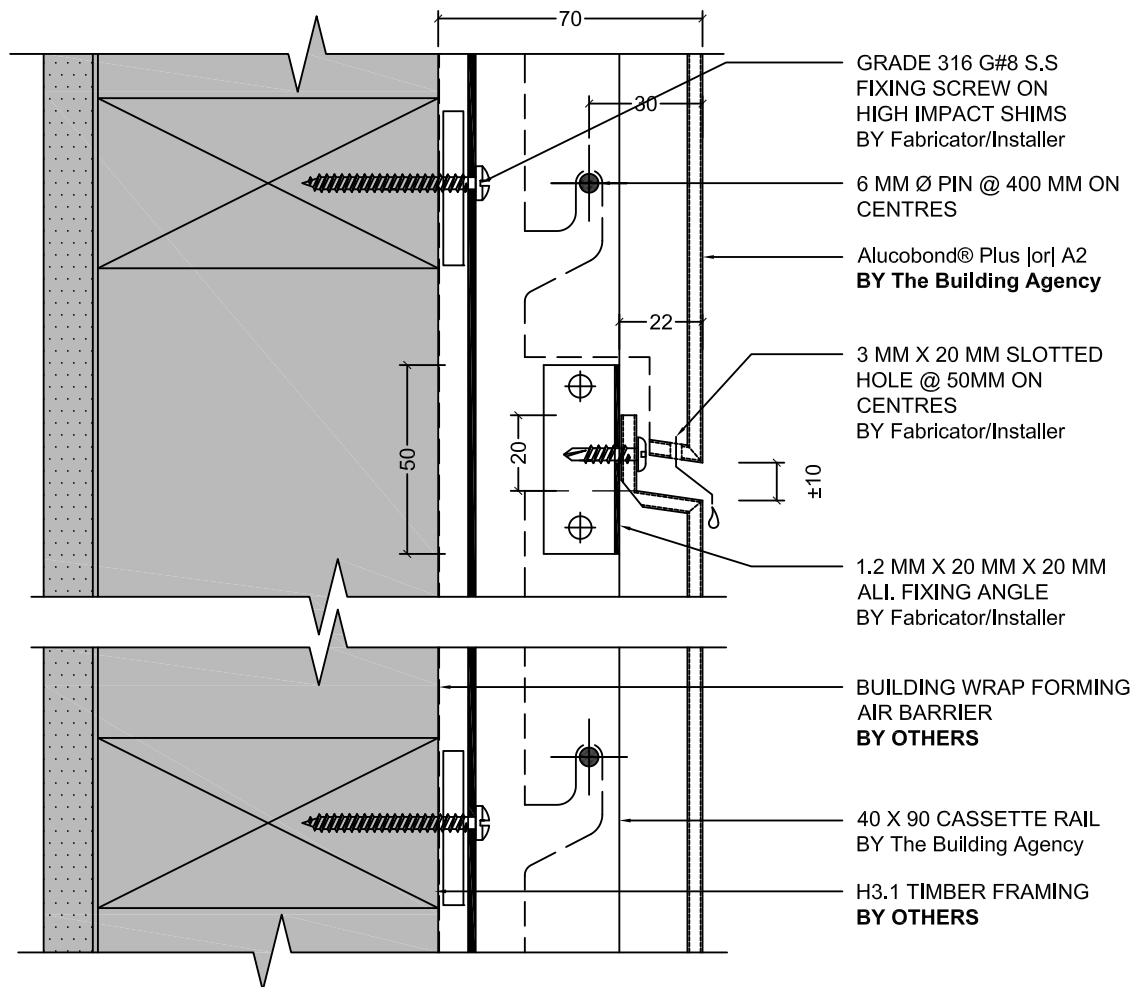
OPEN JOINT SYSTEM TYPICAL DETAILS



1 PLAN - VERTICAL JOINT

ALUMINIUM COMPOSITE CLADDING SYSTEM

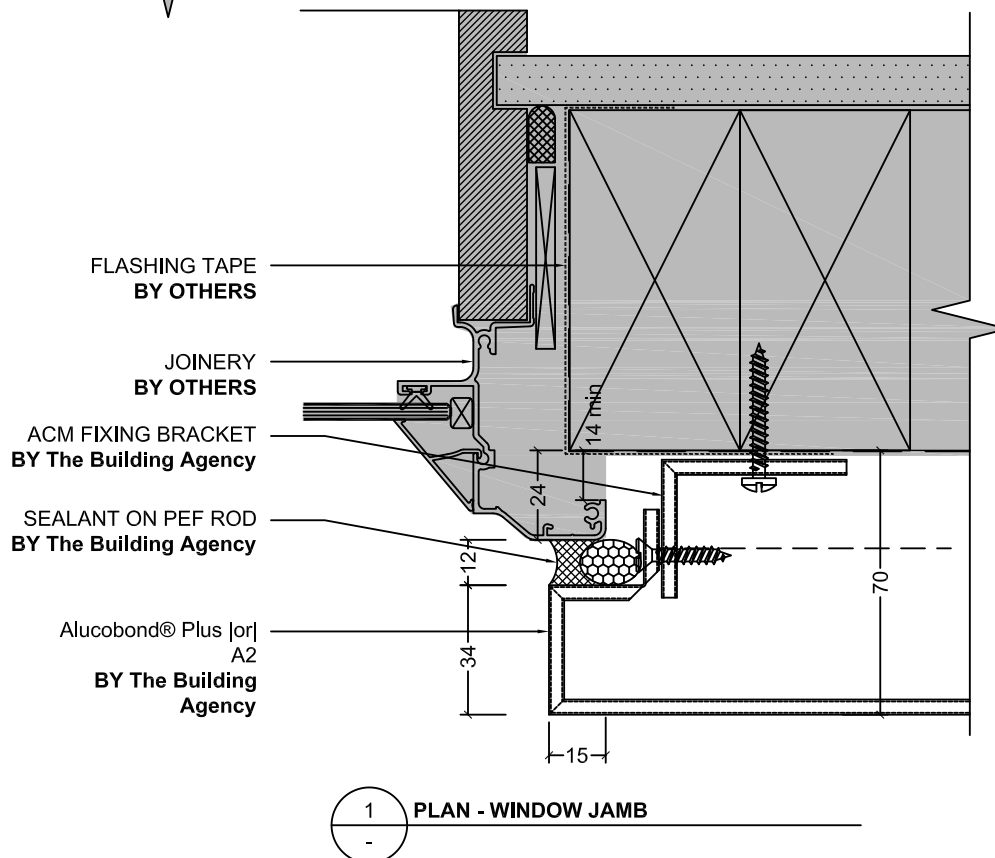
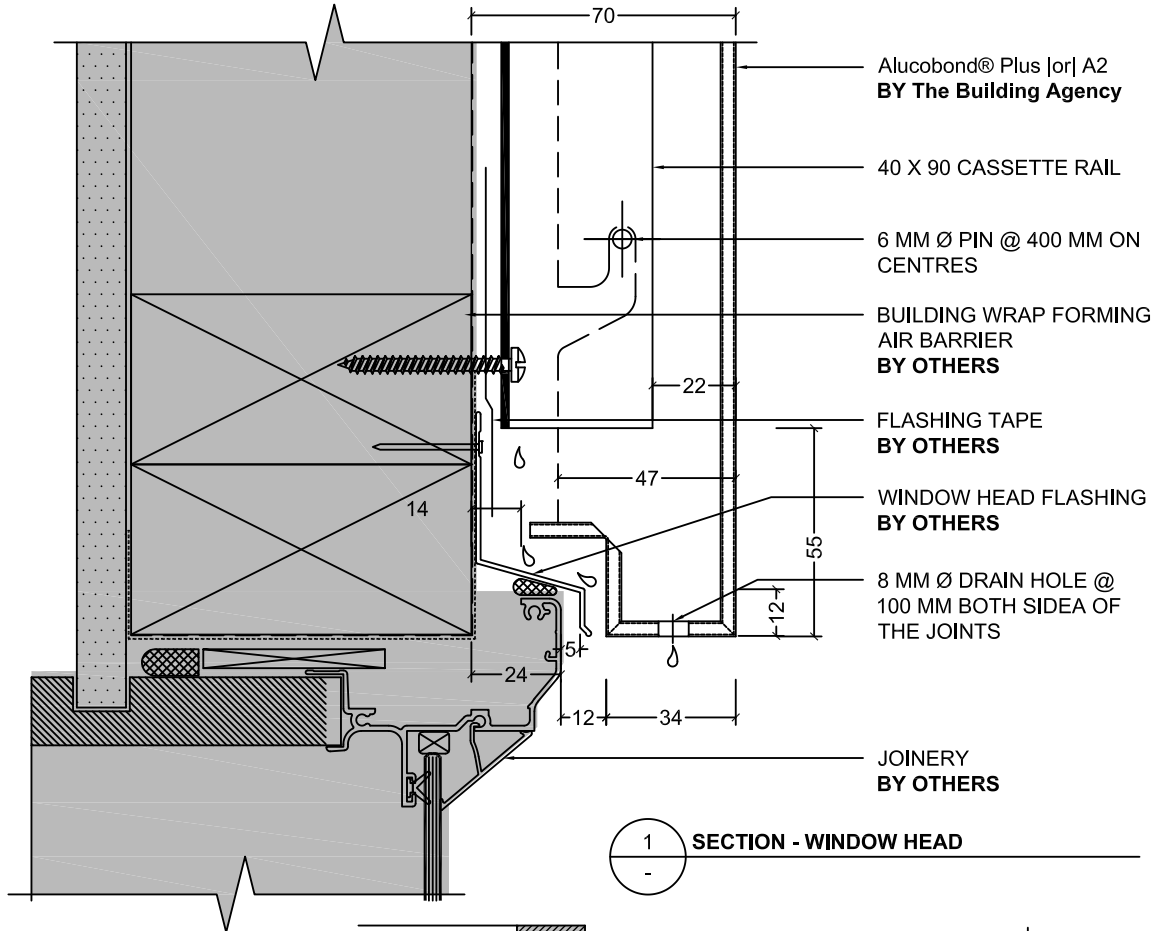
OPEN JOINT SYSTEM TYPICAL DETAILS



1 SECTION - HORIZONTAL JOINT

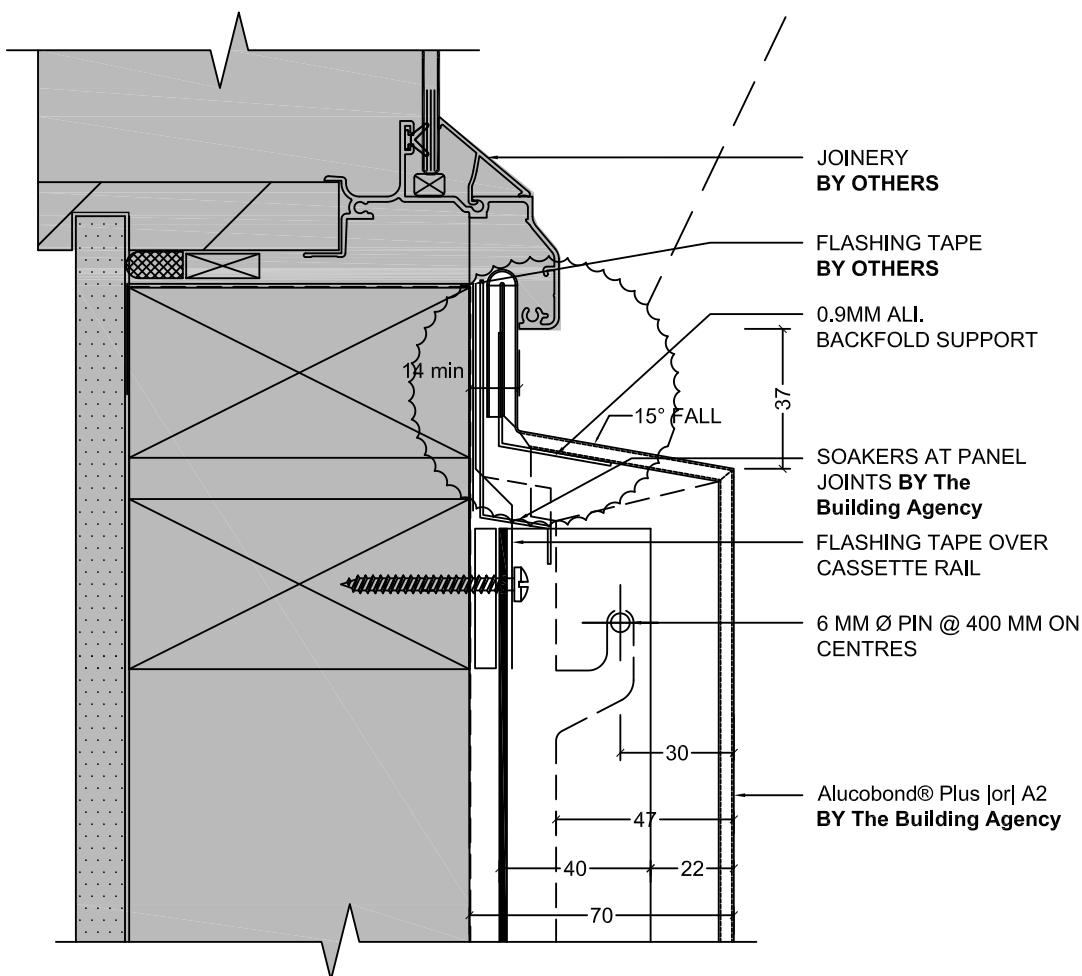
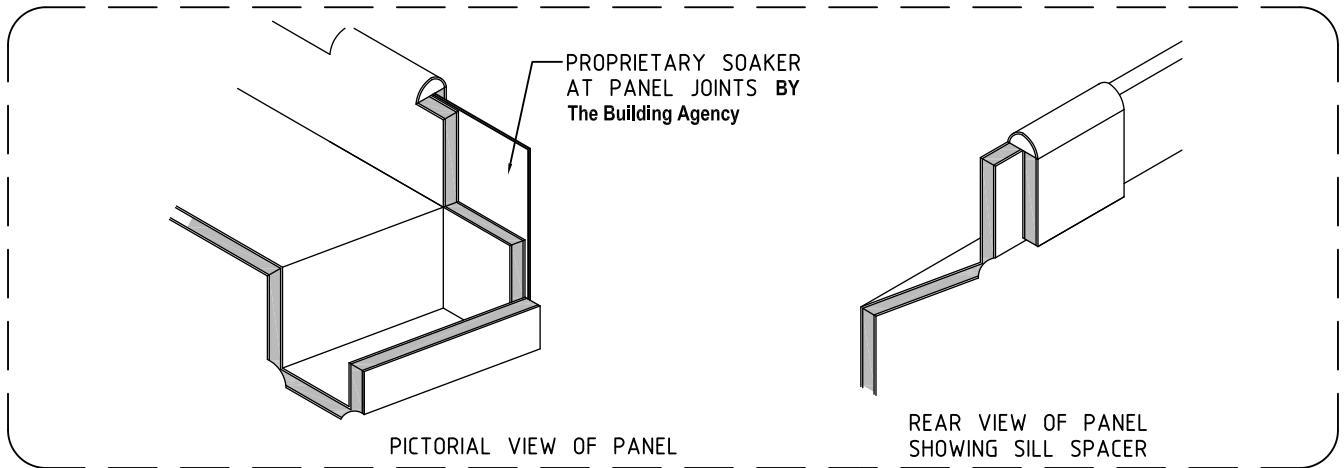
ALUMINIUM COMPOSITE CLADDING SYSTEM

OPEN JOINT SYSTEM TYPICAL DETAILS



ALUMINIUM COMPOSITE CLADDING SYSTEM

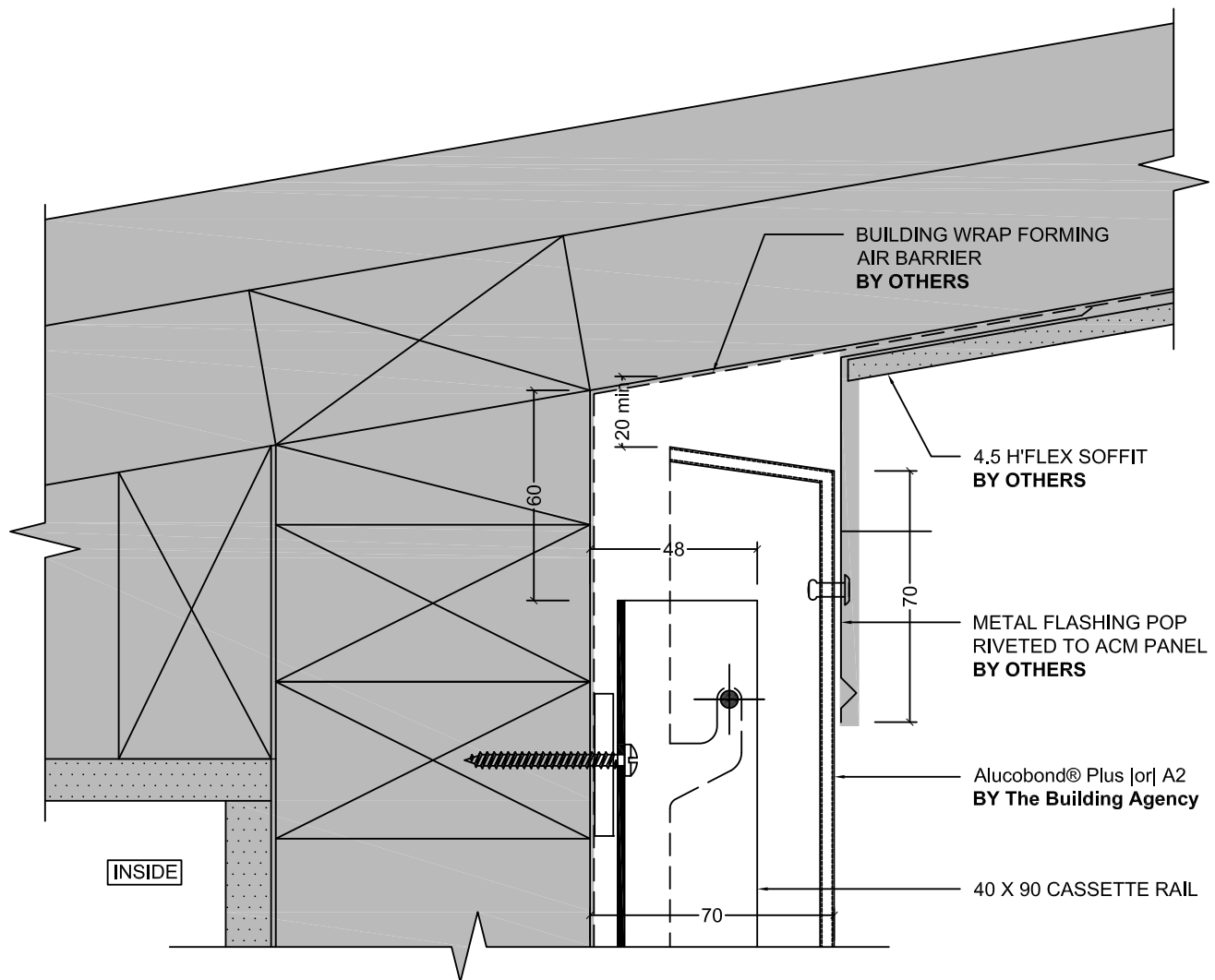
OPEN JOINT SYSTEM TYPICAL DETAILS



1 SECTION - WINDOW SILL

ALUMINIUM COMPOSITE CLADDING SYSTEM

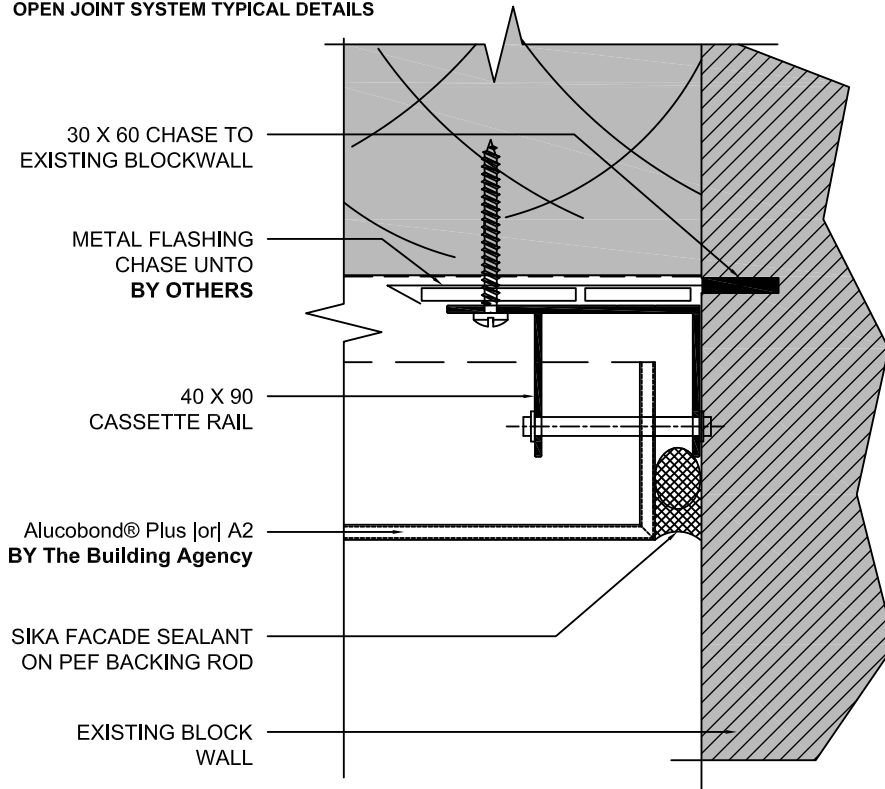
OPEN JOINT SYSTEM TYPICAL DETAILS



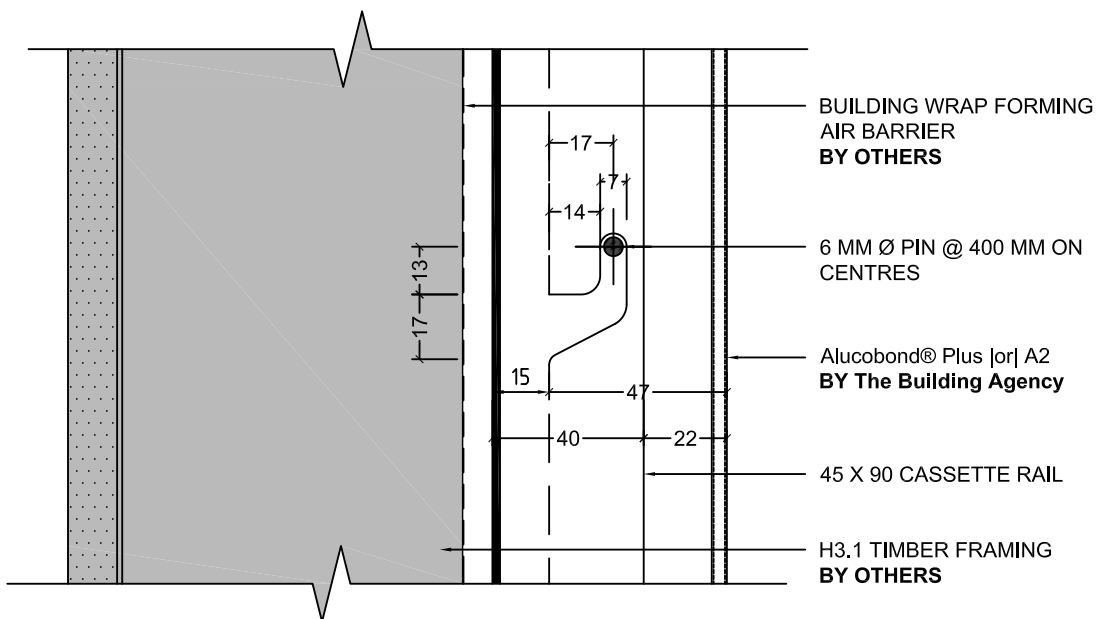
1 SECTION - SOFFIT JUNCTION

ALUMINIUM COMPOSITE CLADDING SYSTEM

OPEN JOINT SYSTEM TYPICAL DETAILS



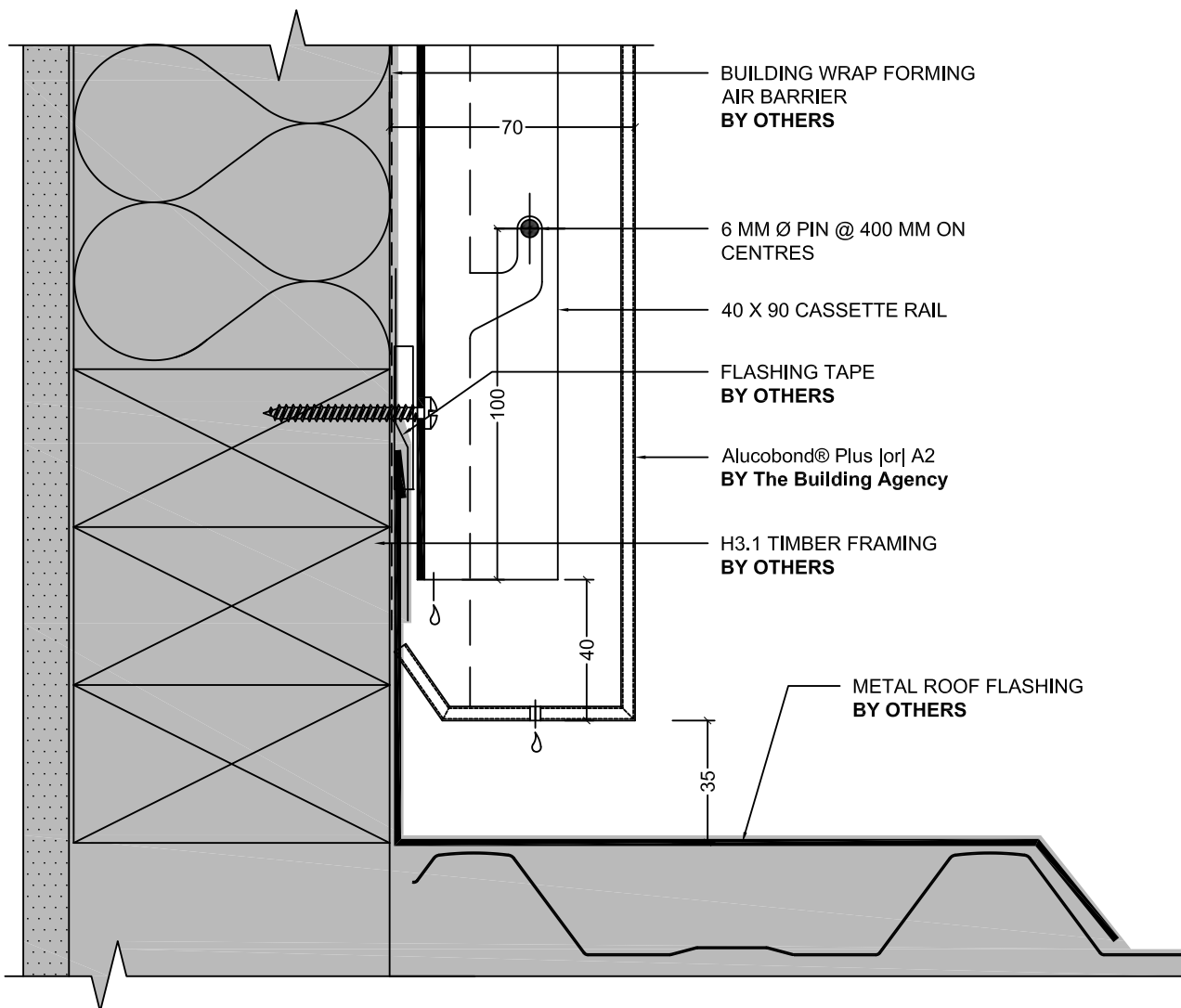
1 PLAN - WALL JUNCTION



1 SECTION - PIN DETAIL

ALUMINIUM COMPOSITE CLADDING SYSTEM

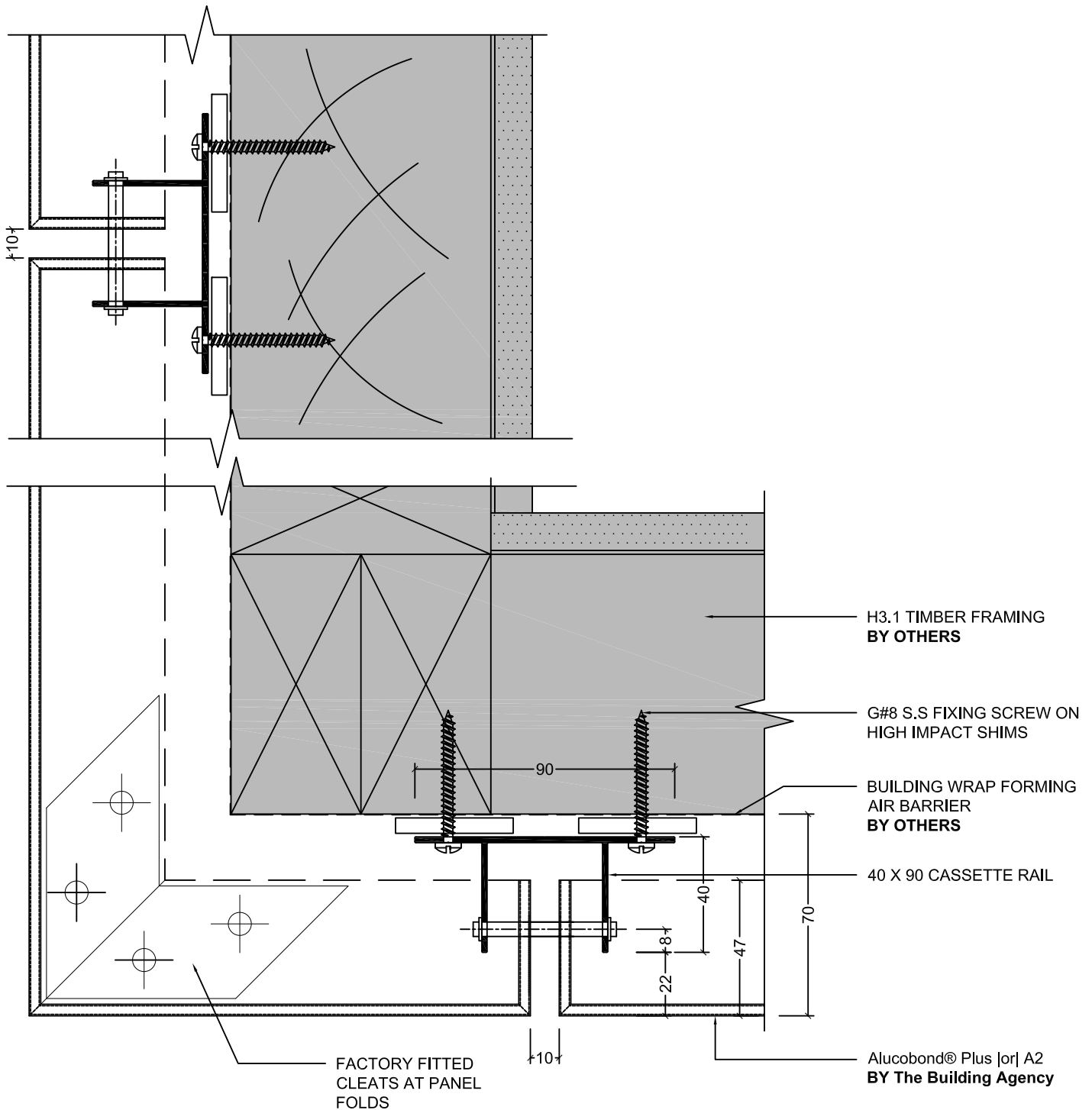
OPEN JOINT SYSTEM TYPICAL DETAILS



1 SECTION - ROOF JUNCTION

ALUMINIUM COMPOSITE CLADDING SYSTEM

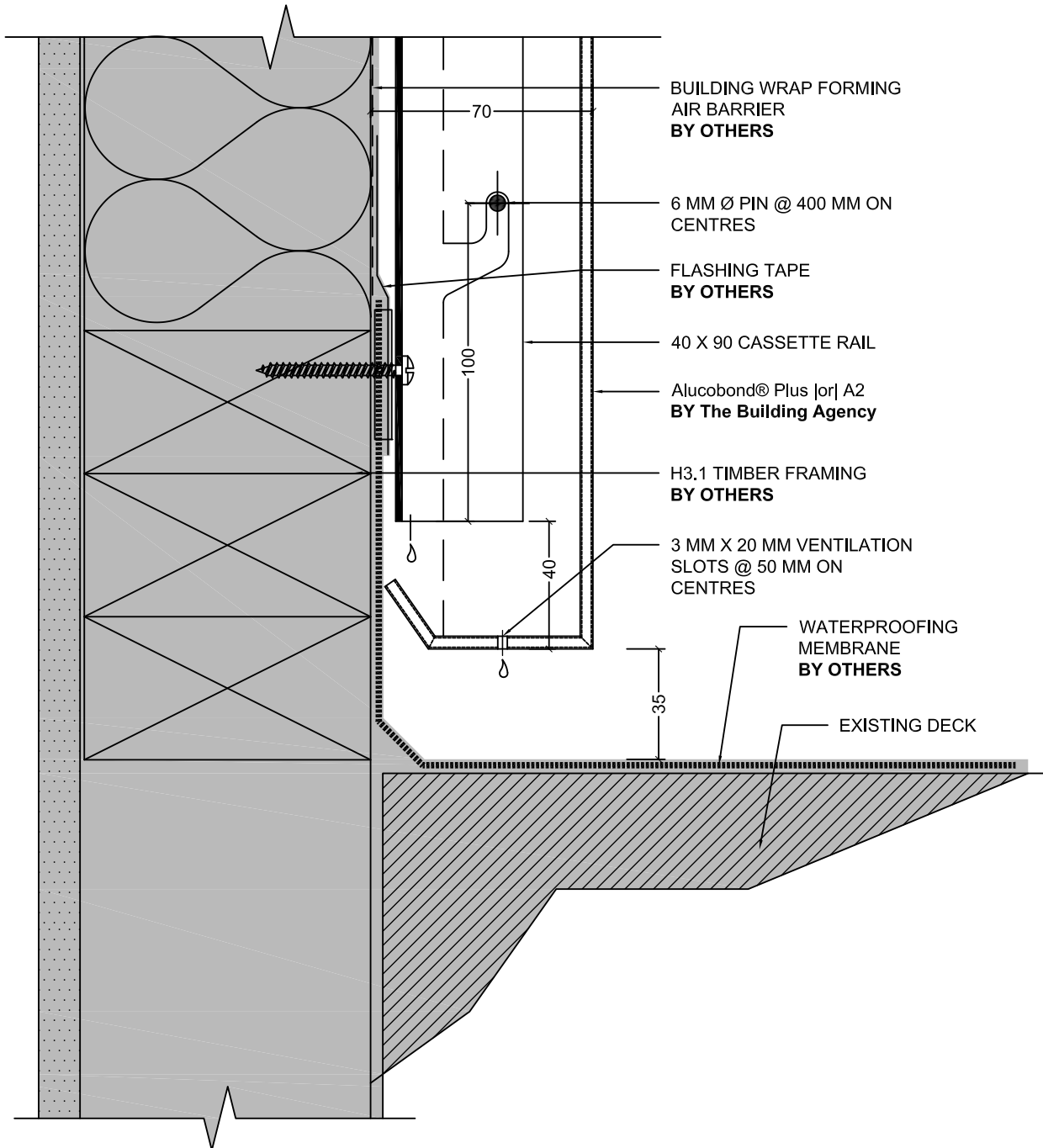
OPEN JOINT SYSTEM TYPICAL DETAILS



1 PLAN - CORNER DETAIL

ALUMINIUM COMPOSITE CLADDING SYSTEM

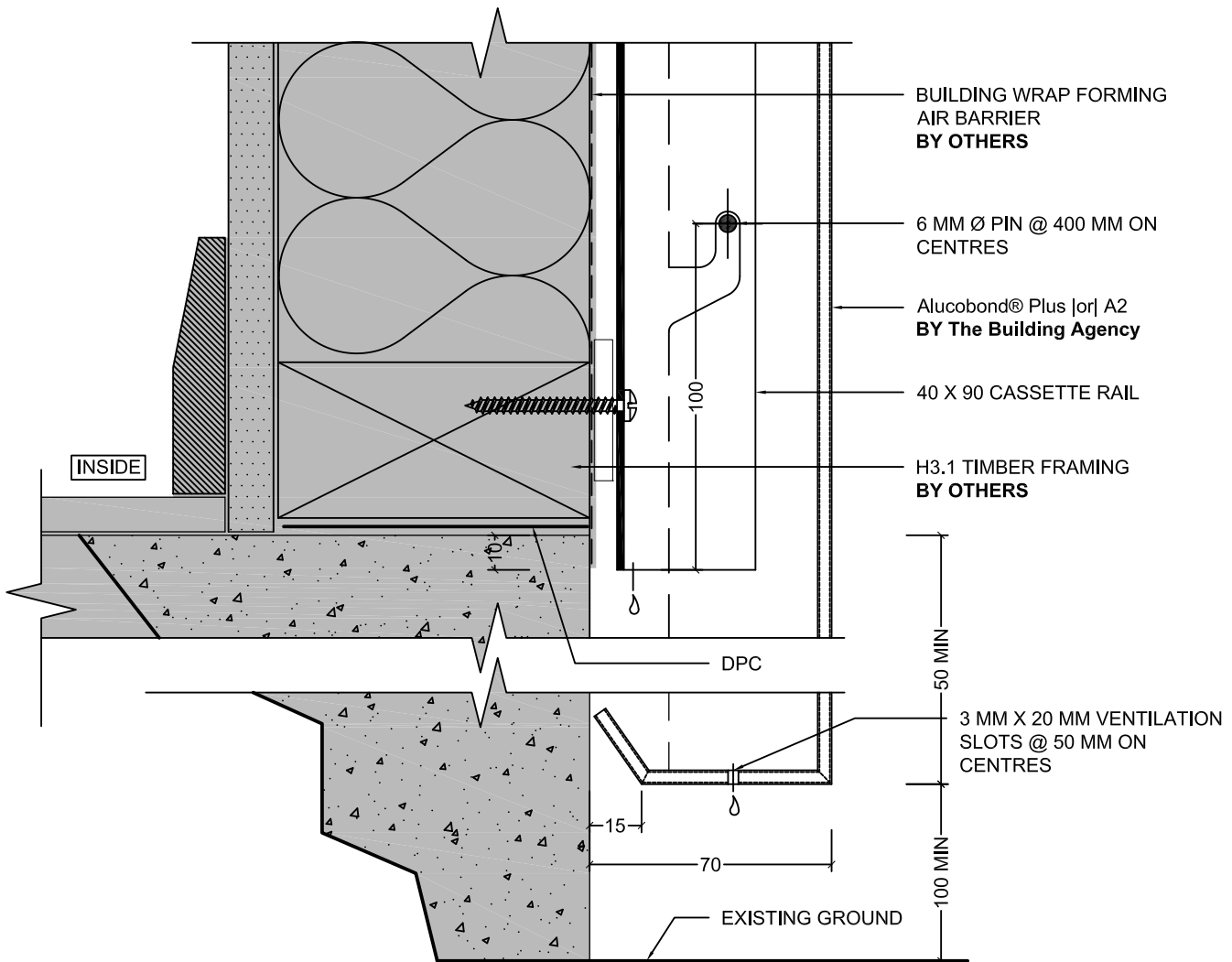
OPEN JOINT SYSTEM TYPICAL DETAILS



1 SECTION - PANEL BASE

ALUMINIUM COMPOSITE CLADDING SYSTEM

OPEN JOINT SYSTEM TYPICAL DETAILS



1 SECTION - PANEL BASE