

OPEN JOINT SYSTEM TYPICAL DETAILS

CONTENTS

- 1.0 PLAN - VERTICAL JOINT
- 2.0 SECTION - HORIZONTAL JOINT
- 3.0 SECTION - WINDOW HEAD DETAIL
 - PLAN - WINDOW JAMB DETAIL
- 3.1 SECTION - WINDOW SILL DETAIL
- 3.2 SECTION - SOFFIT JUNCTION
- 3.3 PLAN - WALL JUNCTION
 - SECTION - PIN DETAIL
- 4.0 SECTION - ROOF JUNCTION
- 4.1 PLAN - CORNER DETAIL
- 5.0 SECTION - BASE DETAIL
- 5.1 SECTION - BASE DETAIL

Framing note: Timber framing by others is to be at 600 centers max for both studs & noggs. This may be required at closer centers subject to engineering requirements.

Rigid air barrier note: As per E2/AS1 Table 23. With the addition that, where a rigid wall underlay is required, a flexible membrane over the rigid element is required as well.

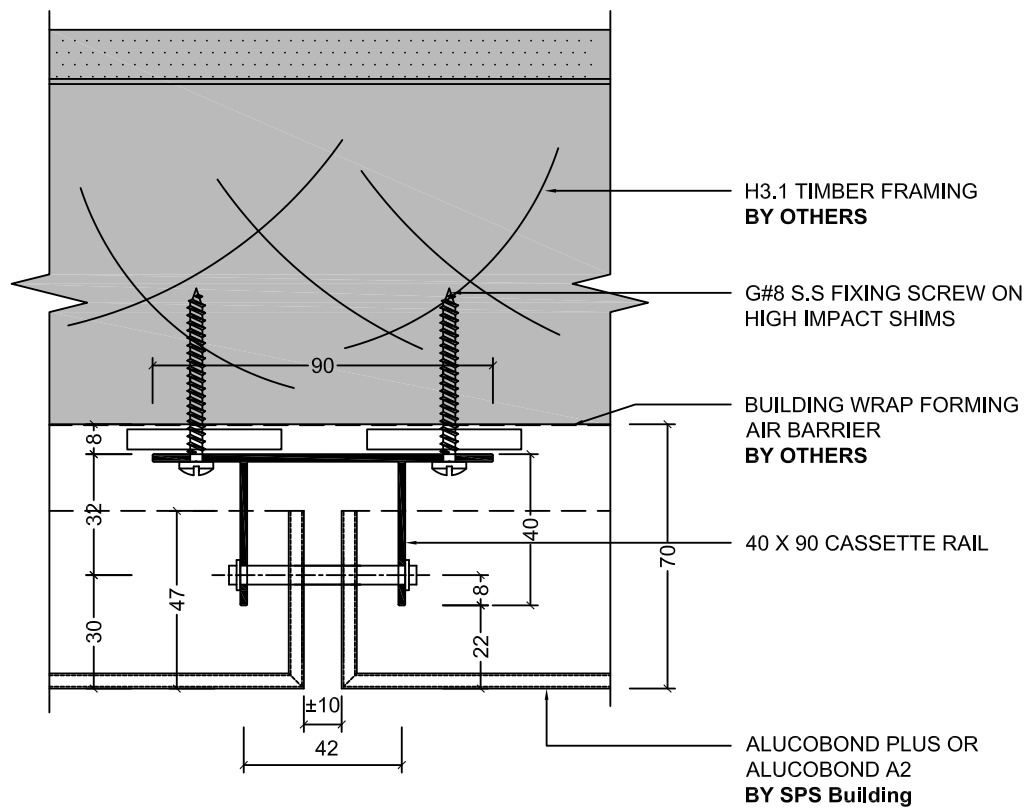
Cavity Battens are not required with this cavity system as a cavity is formed between the fixing angles and structure with high impact plastic packers ("H"packers). Nominal cavity depth is 40mm from structure to outer face of panel. In some situations (when interfacing with residential joinery profiles) this cavity is may be deeper. Any instance where cavity is pushed beyond 60mm may require the installation of 20mm cavity battens by others.



SPS Roofing and Building Limited
220B Bush Road, Rosedale, Auckland, New Zealand,
T : +64 9 415 2669 | www.spsbuilding.co.nz

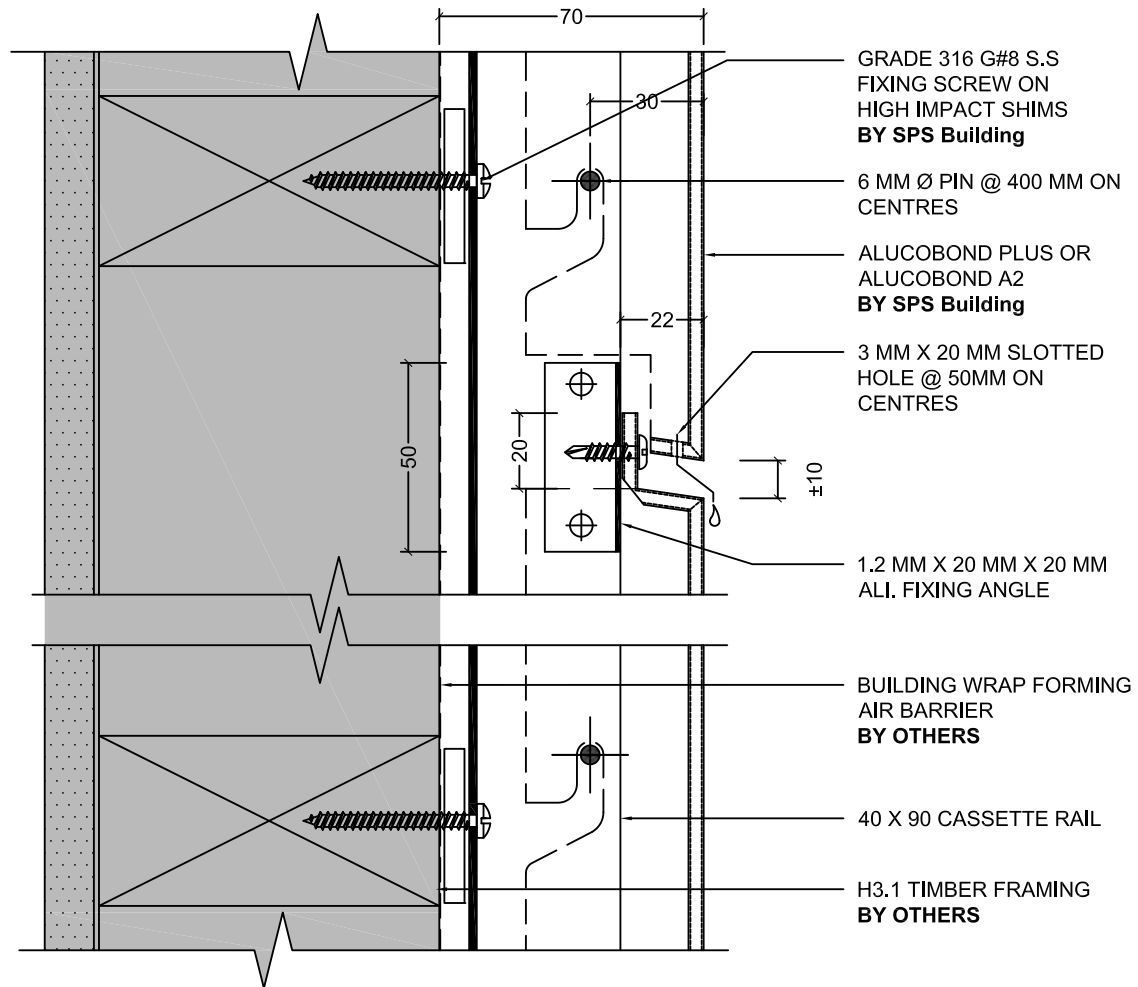
Copyright © of this drawing shall remain the property of SPS Roofing and Building LTD.
No part of this document may be reproduced or transmitted by any means without the
prior permission in writing of SPS Roofing & Building Ltd.

ALUMINIUM COMPOSITE CLADDING SYSTEM



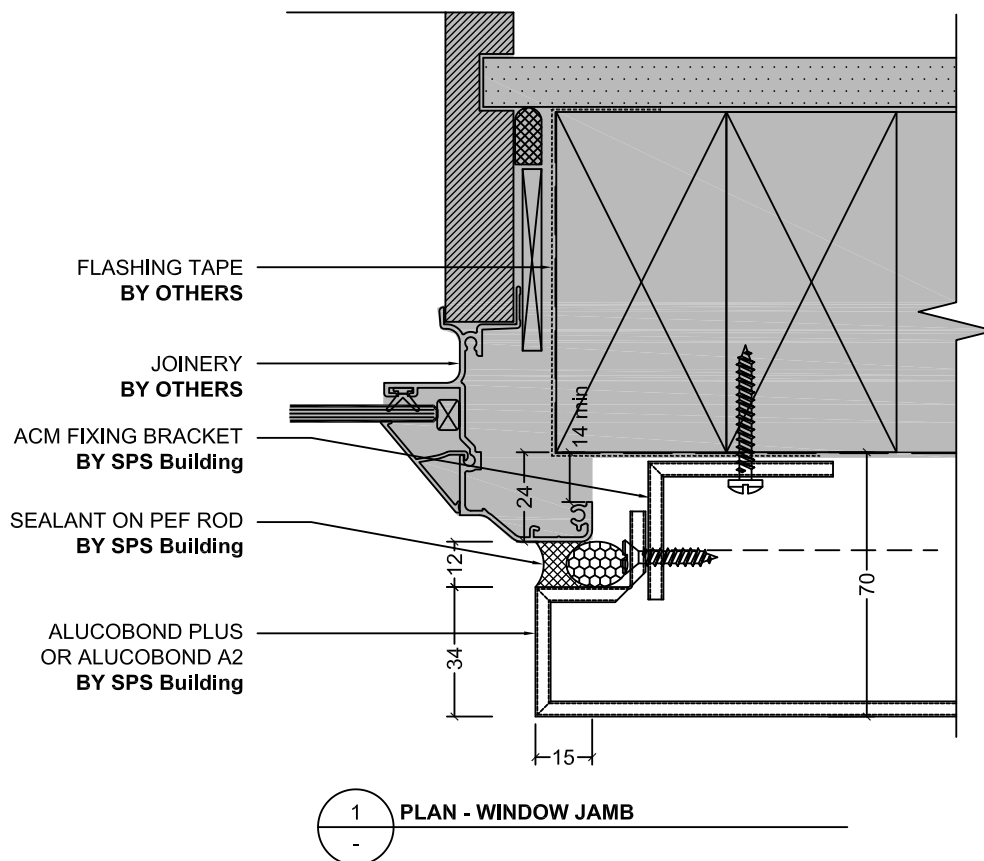
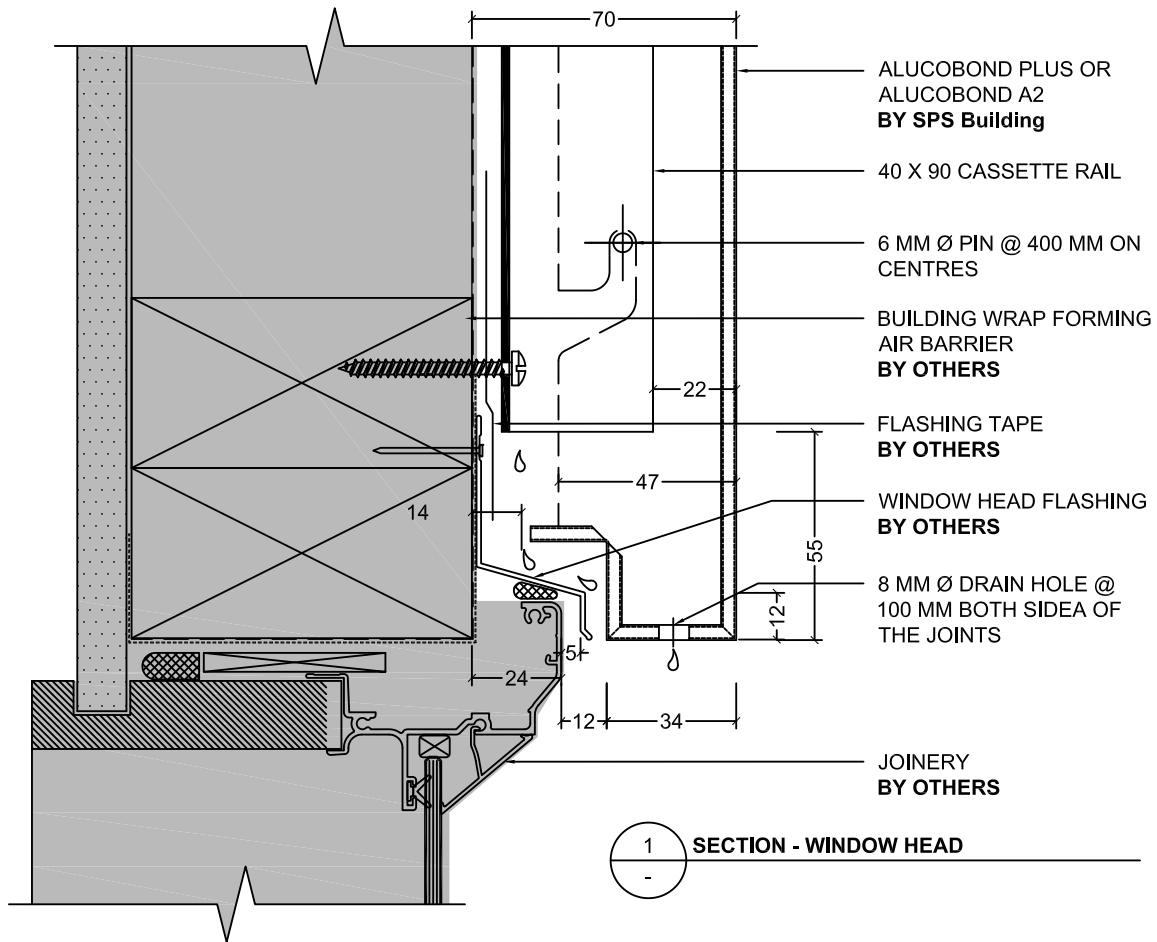
1 PLAN - VERTICAL JOINT

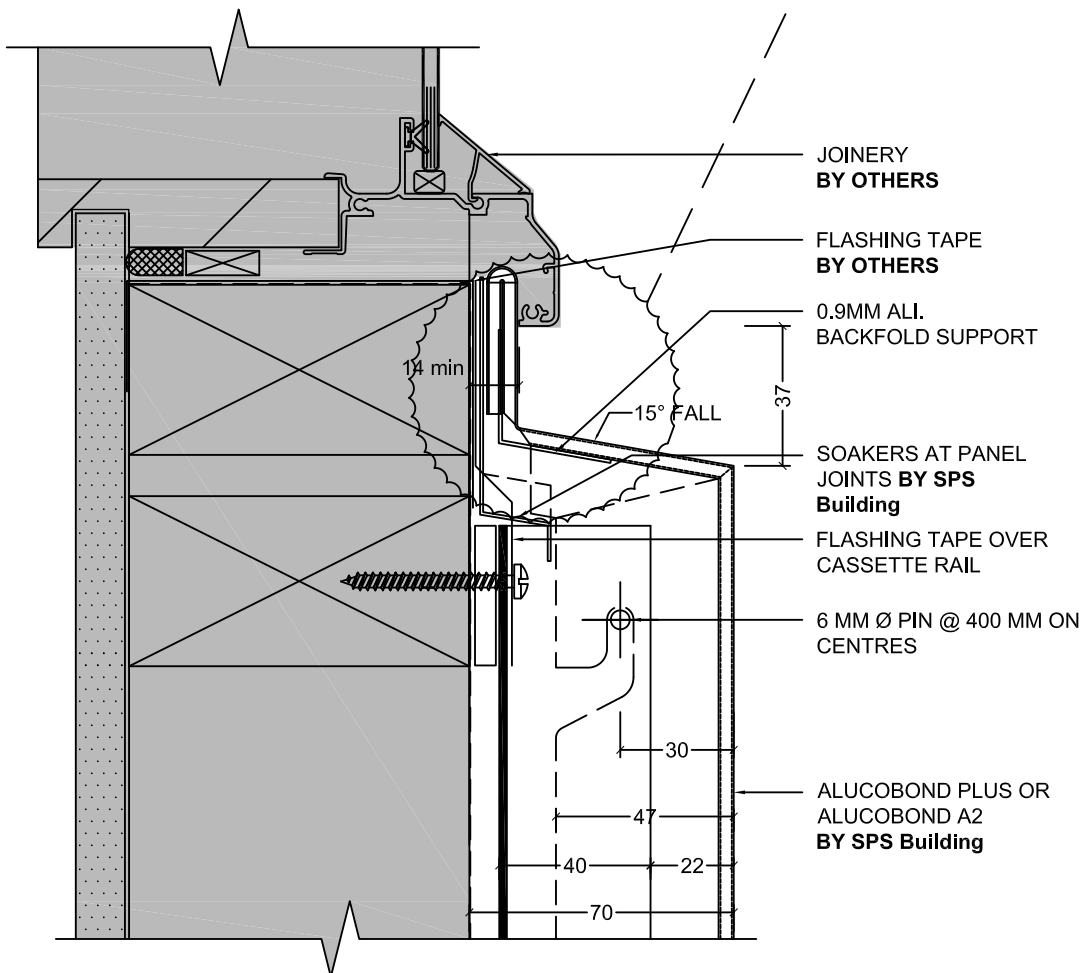
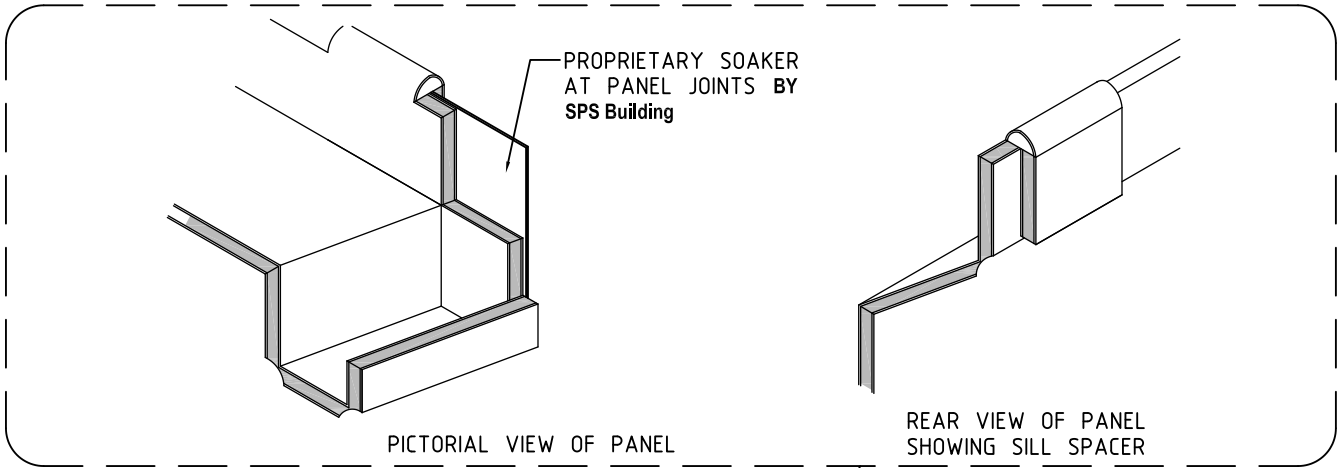
ALUMINIUM COMPOSITE CLADDING SYSTEM



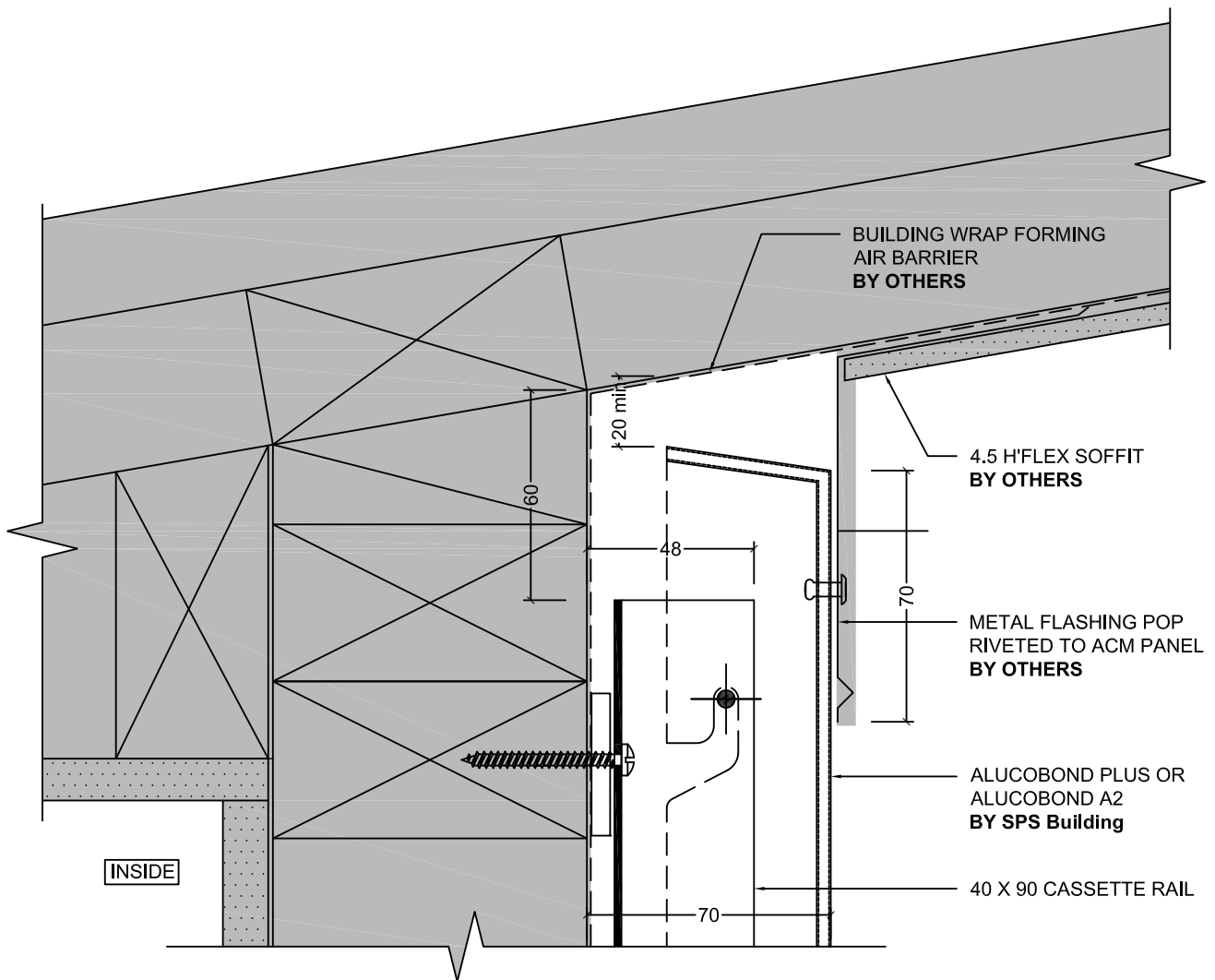
1 SECTION - HORIZONTAL JOINT

ALUMINIUM COMPOSITE CLADDING SYSTEM



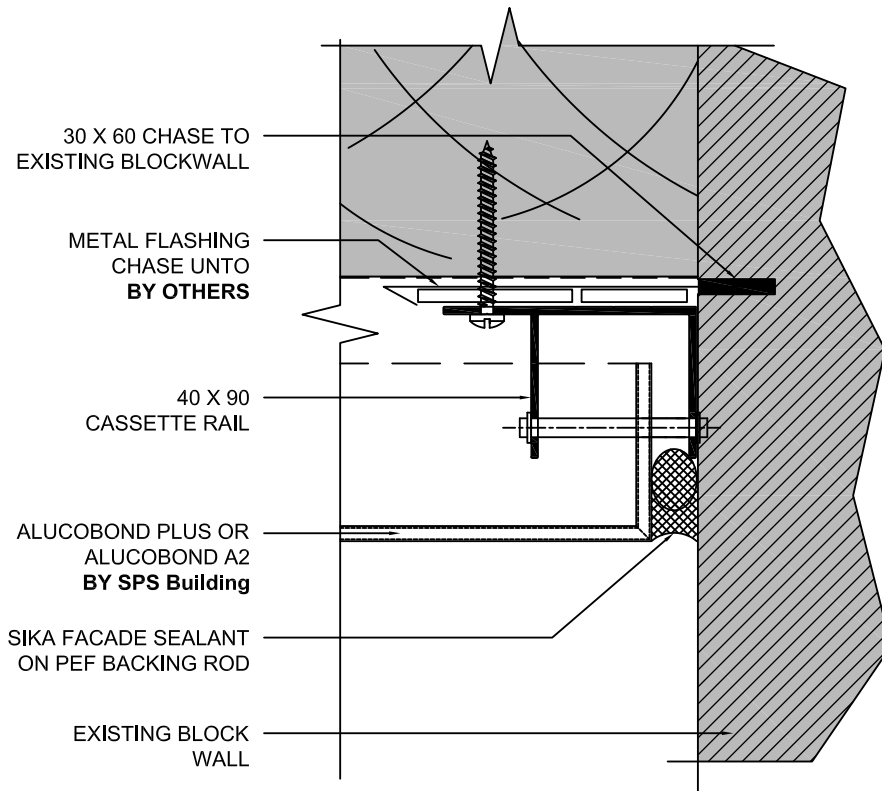


1 SECTION - WINDOW SILL

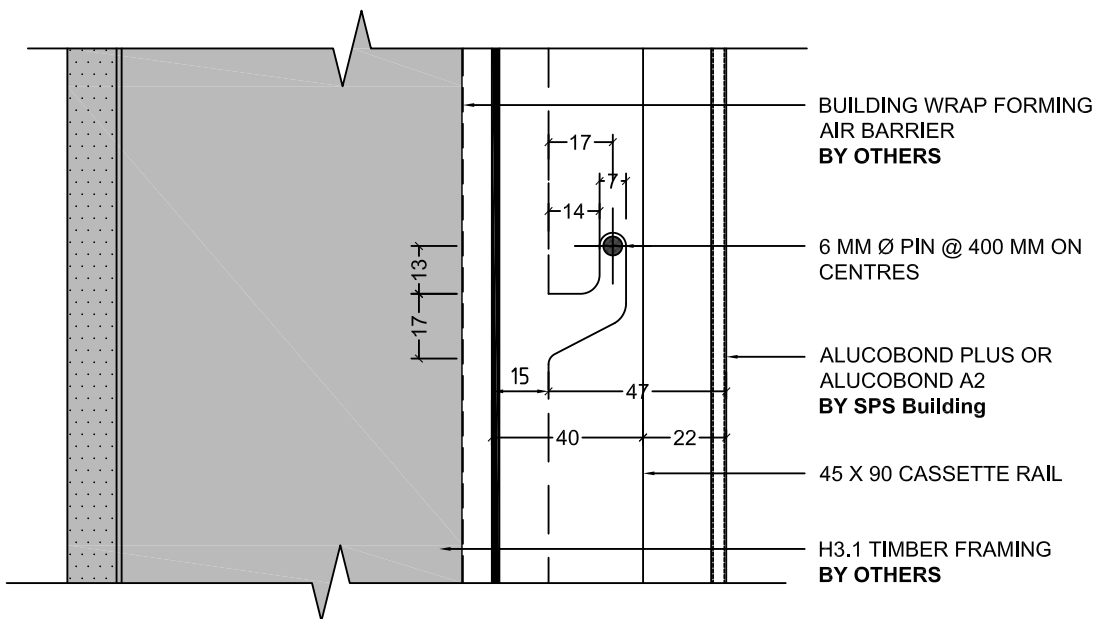


1 SECTION - SOFFIT JUNCTION

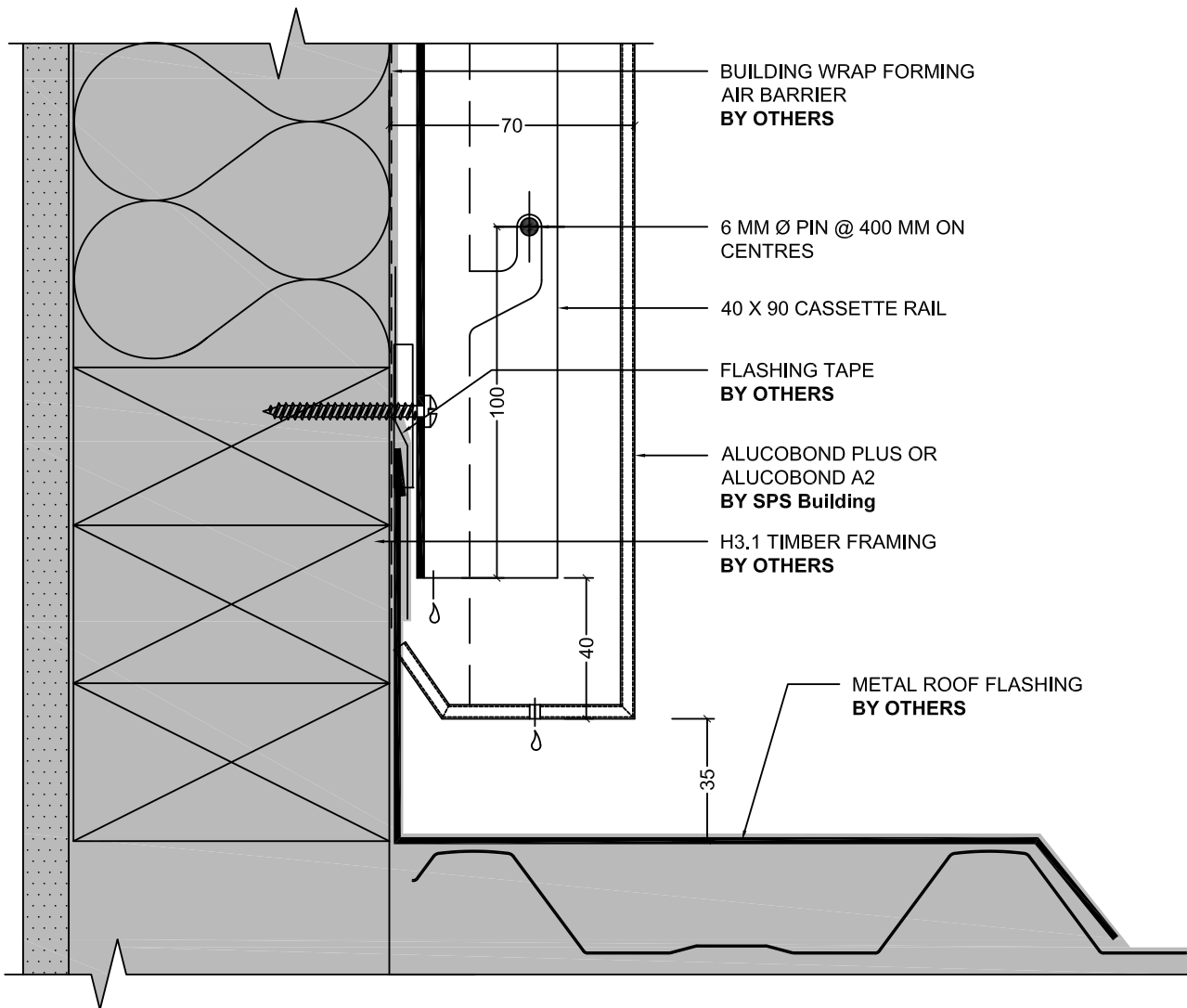
ALUMINIUM COMPOSITE CLADDING SYSTEM



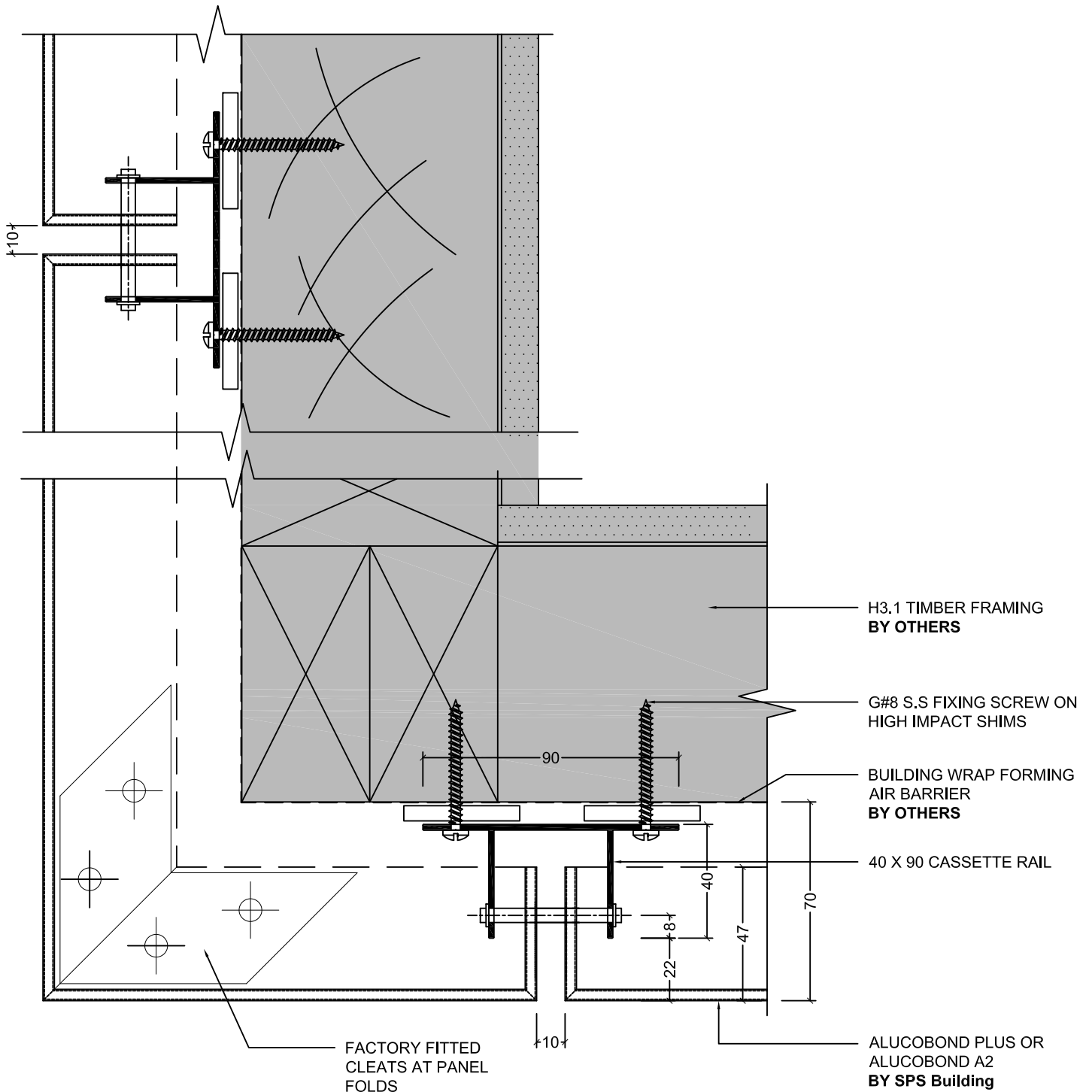
1 PLAN - WALL JUNCTION



1 SECTION - PIN DETAIL

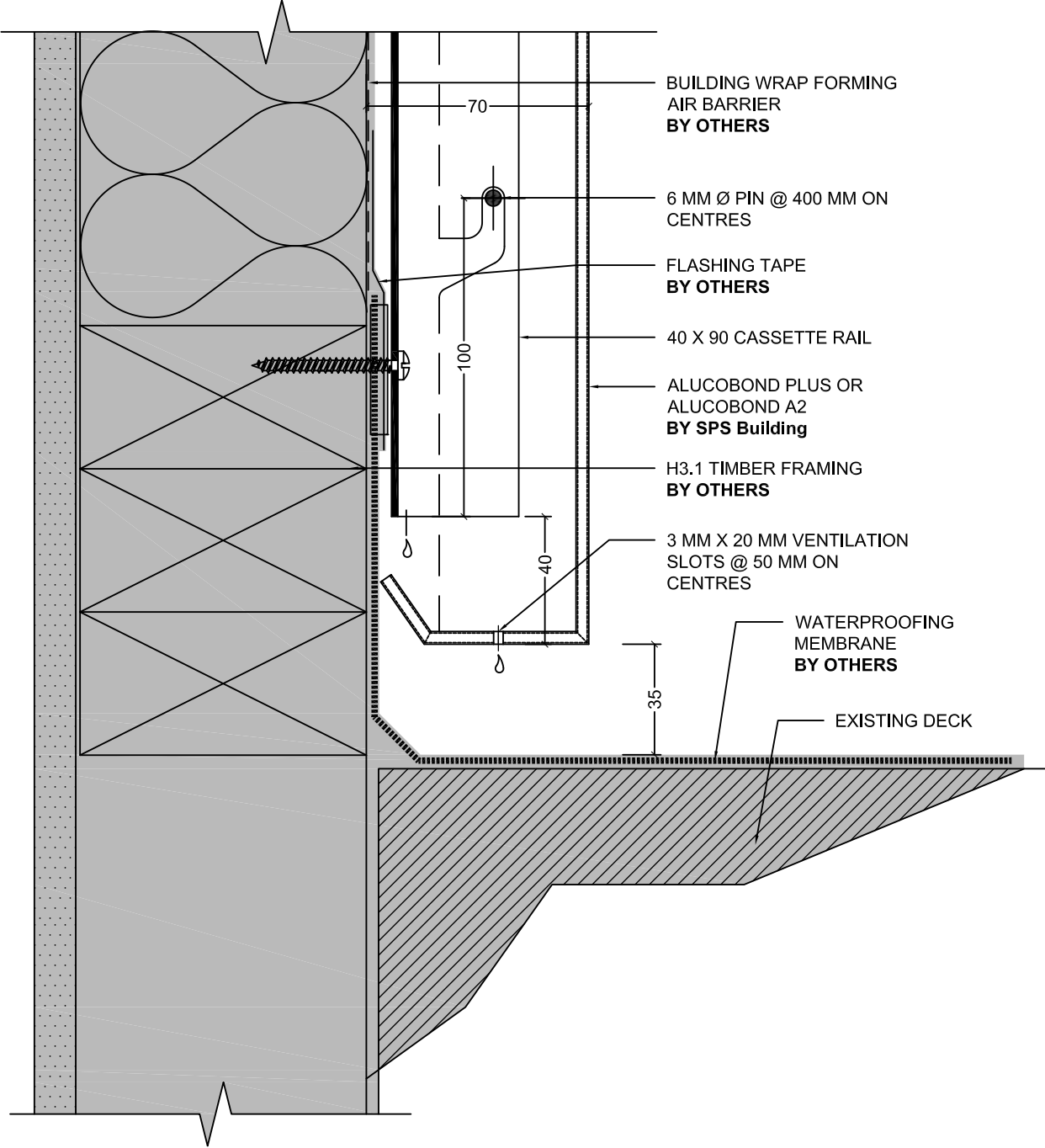


1 SECTION - ROOF JUNCTION



1 PLAN - CORNER DETAIL

ALUMINIUM COMPOSITE CLADDING SYSTEM



BUILDING WRAP FORMING AIR BARRIER BY OTHERS

6 MM Ø PIN @ 400 MM ON CENTRES

FLASHING TAPE BY OTHERS

40 X 90 CASSETTE RAIL

ALUCOBOND PLUS OR ALUCOBOND A2 BY SPS Building

H3.1 TIMBER FRAMING BY OTHERS

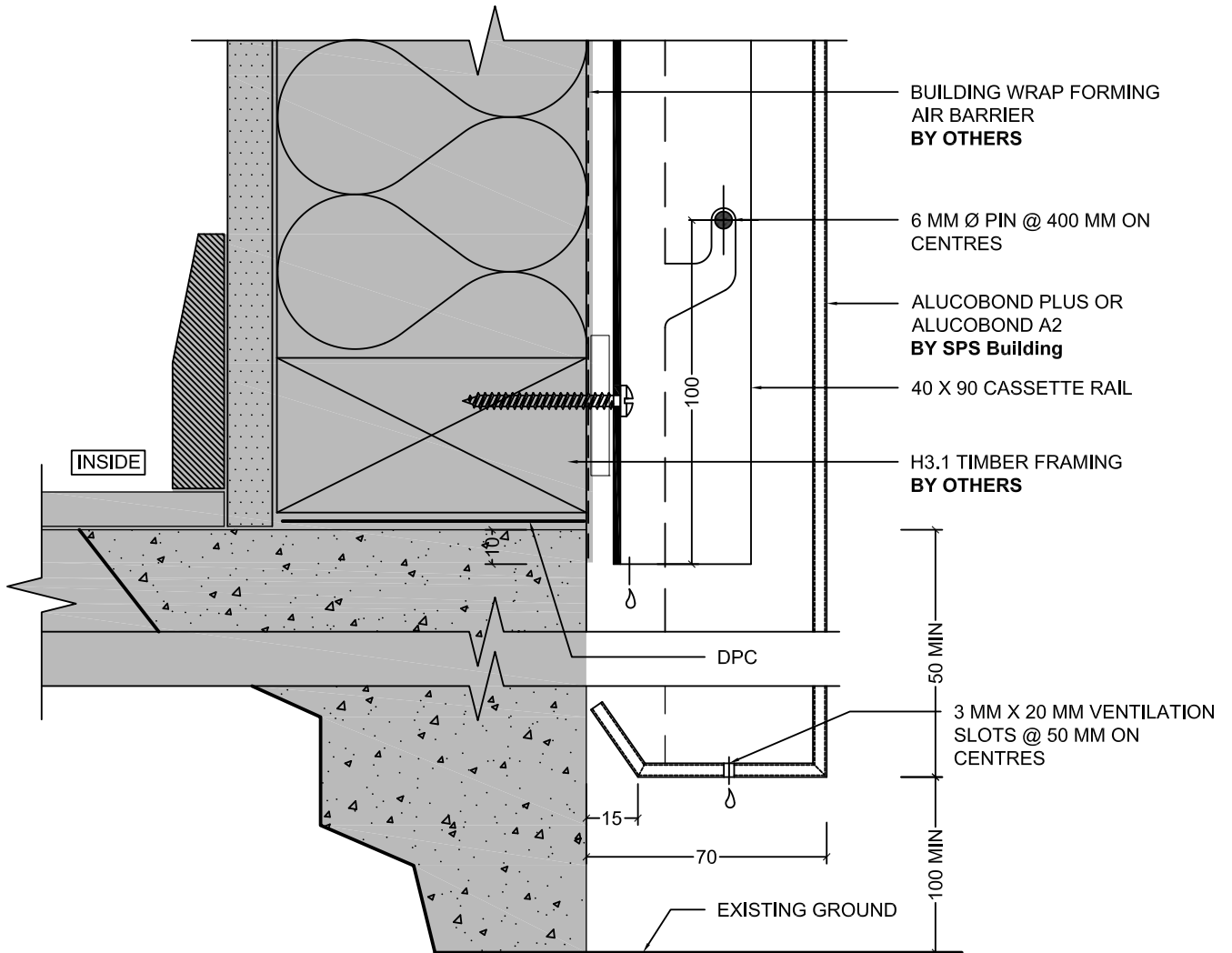
3 MM X 20 MM VENTILATION SLOTS @ 50 MM ON CENTRES

WATERPROOFING MEMBRANE BY OTHERS

EXISTING DECK

1 SECTION - PANEL BASE

ALUMINIUM COMPOSITE CLADDING SYSTEM



1 SECTION - PANEL BASE