



TYPICAL DETAILS

CONTENTS

1.0	TYPICAL VERTICAL JOINT ON RAB
1.1	TYPICAL VERTICAL JOINT ON BUILDING PAPER
2.0	TYPICAL HORIZONTAL JOINT ON RAB
2.1	TYPICAL HORIZONTAL JOINT ON BUILDING PAPER
3.1.0	HEAD DETAIL - FAIRVIEW RESIDENTIAL JOINERY
3.1.1	SILL DETAIL - FAIRVIEW RESIDENTIAL JOINERY
3.1.2	JAMB DETAIL - FAIRVIEW RESIDENTIAL JOINERY
3.2.0	HEAD DETAIL - FAIRVIEW COMMERCIAL JOINERY
3.2.1	SILL DETAIL - FAIRVIEW COMMERCIAL JOINERY
3.2.2	JAMB DETAIL - FAIRVIEW COMMERCIAL JOINERY
4.0	FASCIA DETAIL - SOFFIT BY OTHERS
4.2.0	FASCIA TO SOFFIT
4.3.0	DRIP EDGE DETAIL
4.3.1	OPEN FLUSH SOFFIT JOINT
5.0	BASE DETAIL 1
5.1	TYPICAL EYEBROW SILL DETAIL
5.2	TYPICAL UPSTAND DETAIL
5.3	INTER-STOREY JOINT
6.0.0	TYPICAL EXTERNAL CORNER
6.0.1	TYPICAL VERTICAL INTERNAL CORNER
6.1	FIBRE CEMENT VERTICAL INTERNAL CORNER
6.2	VERTICAL PROFILED METAL INTERNAL CORNER
6.3	HORIZONTAL PROFILED METAL INTERNAL CORNER
7.0	TYPICAL WALL TO SOFFIT JUNCTION 1
7.2.0	TYPICAL WALL TO RAKING SOFFIT JUNCTION 1
7.2.1	TYPICAL WALL TO RAKING SOFFIT JUNCTION 2
7.3	WALL TO SOFFIT JUNCTION & DOWNPIPE PENETRATION
8.0	PRECAST CONCRETE WALL JUNCTION 1
8.1	PRECAST CONCRETE WALL JUNCTION 2
9.0	VERTICAL PROFILED METAL JUNCTION



NOTES

General notes:

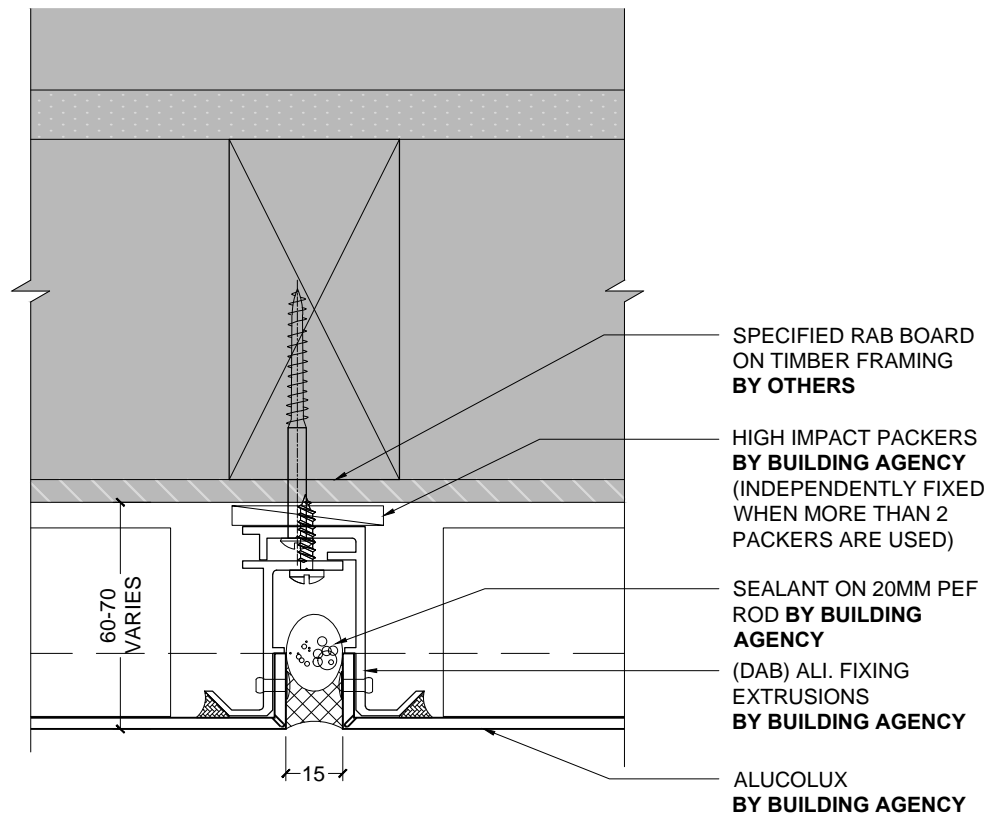
1. Consider 'hatched' areas as outside of THE BUILDING AGENCY scope and indicative only.
2. All commercial detailing shows rigid air barrier (RAB) as is common practice.
3. All residential detailing shows building wrap as is common practice.

Framing note: Timber framing by others is to be at 600 centres max for both studs & nogs. This may be required at closer centers subject to engineering requirements.

Rigid air barrier note: As per THE BUILDING AGENCY BRANZ Appraisal #528 section 12.2 "A building with exposure to wind on any part of its facade above 1.55 kPa ULS must use a RAB as backing for the cavity". It is the building designers responsibility to determine wind loading on the building and incorporate RAB into the detailing as required to the specifications of the RAB manufacturer.

Cavity Battens are not required with the THE BUILDING AGENCY cladding system as a cavity is formed between the fixing angles and structure with high impact plastic packers ("H" packers). Minimum cavity depth is 40mm from structure to outer face of panel although experience shows the cavity is normally 50mm or more. Any instance where cavity is pushed beyond 60mm may require the installation of 20mm cavity battens by others.

BUILDING AGENCY ALUCOLUX CLADDING (DAB) SYSTEM



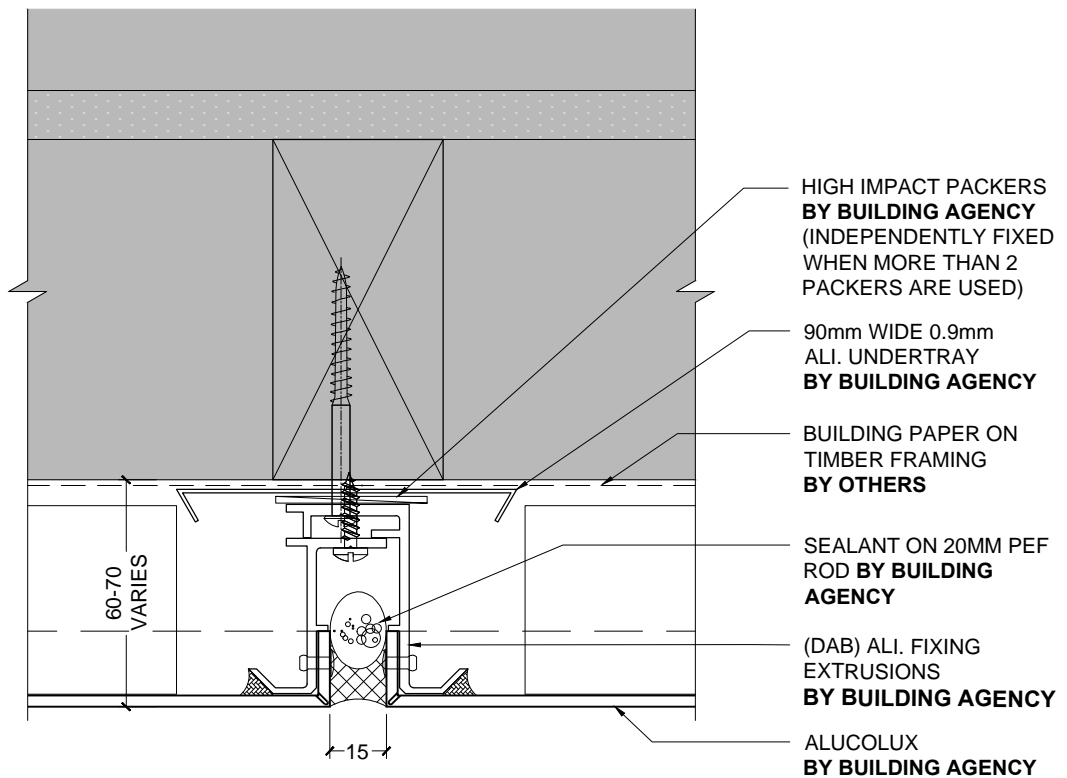
1 TYPICAL VERTICAL JOINT ON RAB (PLAN)
1:2 @ A4

NOTE: TIMBER FRAMING BY OTHERS TO BE AT 600 CTRS MAX FOR BOTH STUDS & NOGS. MAY BE REQUIRED AT CLOSER CENTERS SUBJECT TO ENGINEERING REQUIREMENTS

BUILDING AGENCY ALUCOLUX CLADDING (DAB) SYSTEM



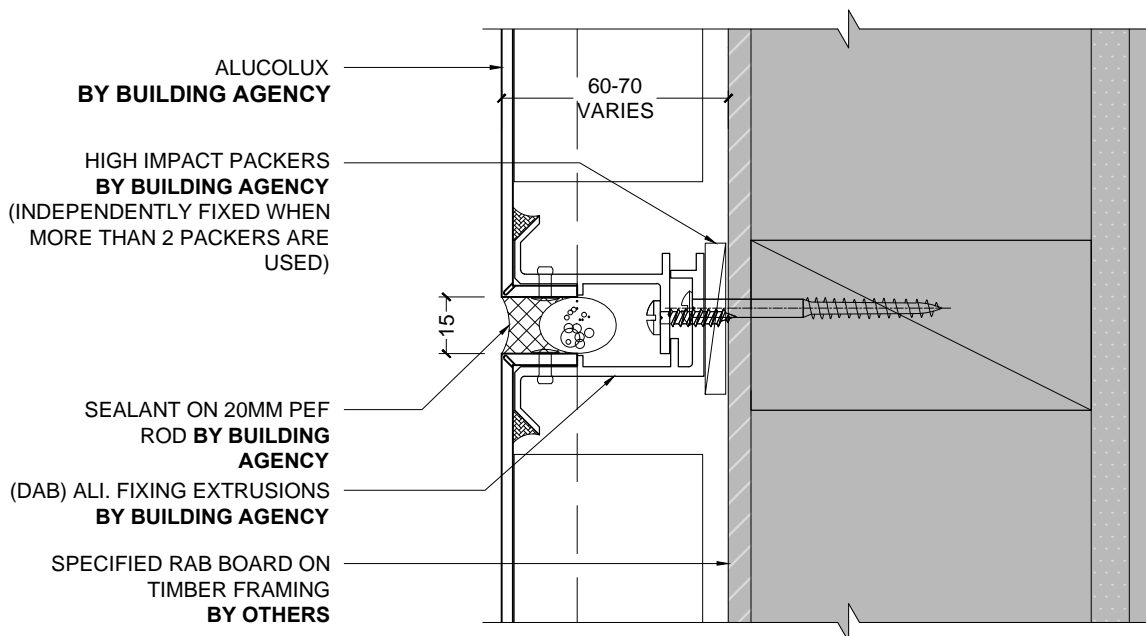
NOTE: IF IT'S O PAPER IT SHOULD BE ROUT AND RETURN SYSTEM



1 TYPICAL VERTICAL JOINT ON BUILDING PAPER (PLAN)
- 1:2 @ A4

NOTE: TIMBER FRAMING BY OTHERS TO BE AT 600 CTRS MAX FOR BOTH STUDS & NOGS. MAY BE REQUIRED AT CLOSER CENTERS SUBJECT TO ENGINEERING REQUIREMENTS

BUILDING AGENCY ALUCOLUX CLADDING (DAB) SYSTEM



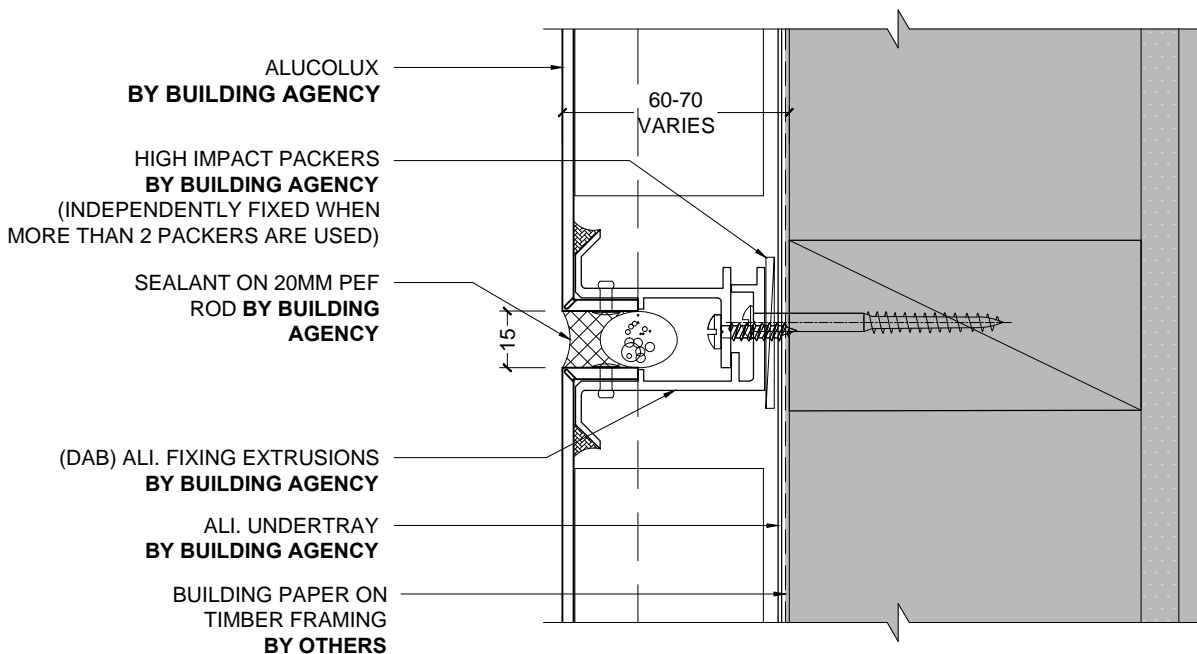
1 **TYPICAL HORIZONTAL JOINT ON RAB (SECTION)**
- 1:2 @ A4

NOTE: TIMBER FRAMING BY OTHERS TO BE AT 600
CTRS MAX FOR BOTH STUDS & NOGS. MAY BE
REQUIRED AT CLOSER CENTERS SUBJECT TO
ENGINEERING REQUIREMENTS

BUILDING AGENCY ALUCOLUX CLADDING (DAB) SYSTEM



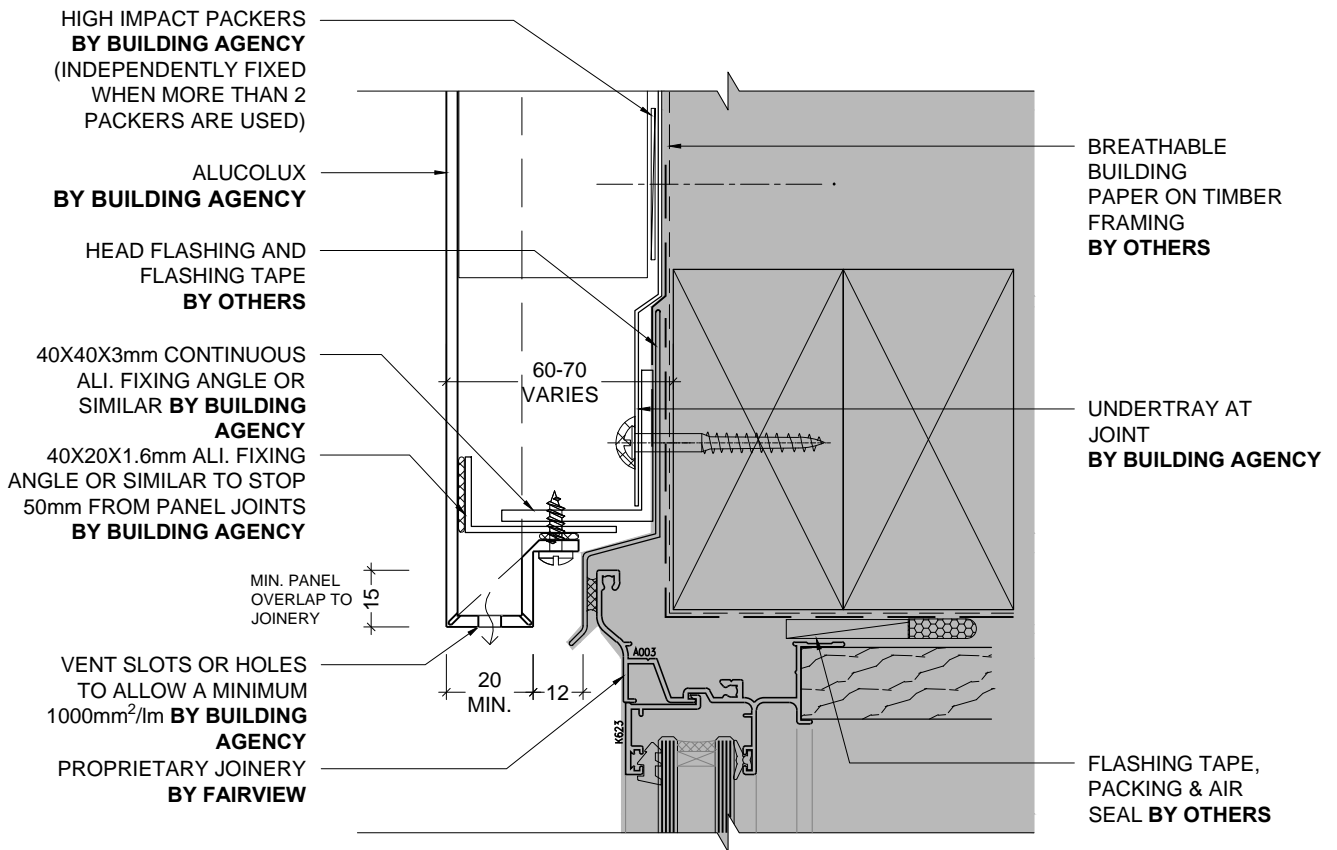
NOTE: IF IT'S O PAPER IT SHOULD BE ROUT AND RETURN SYSTEM



1 TYPICAL HORIZONTAL JOINT ON BUILDING PAPER (SECTION DETAIL)
- 1:2 @ A4

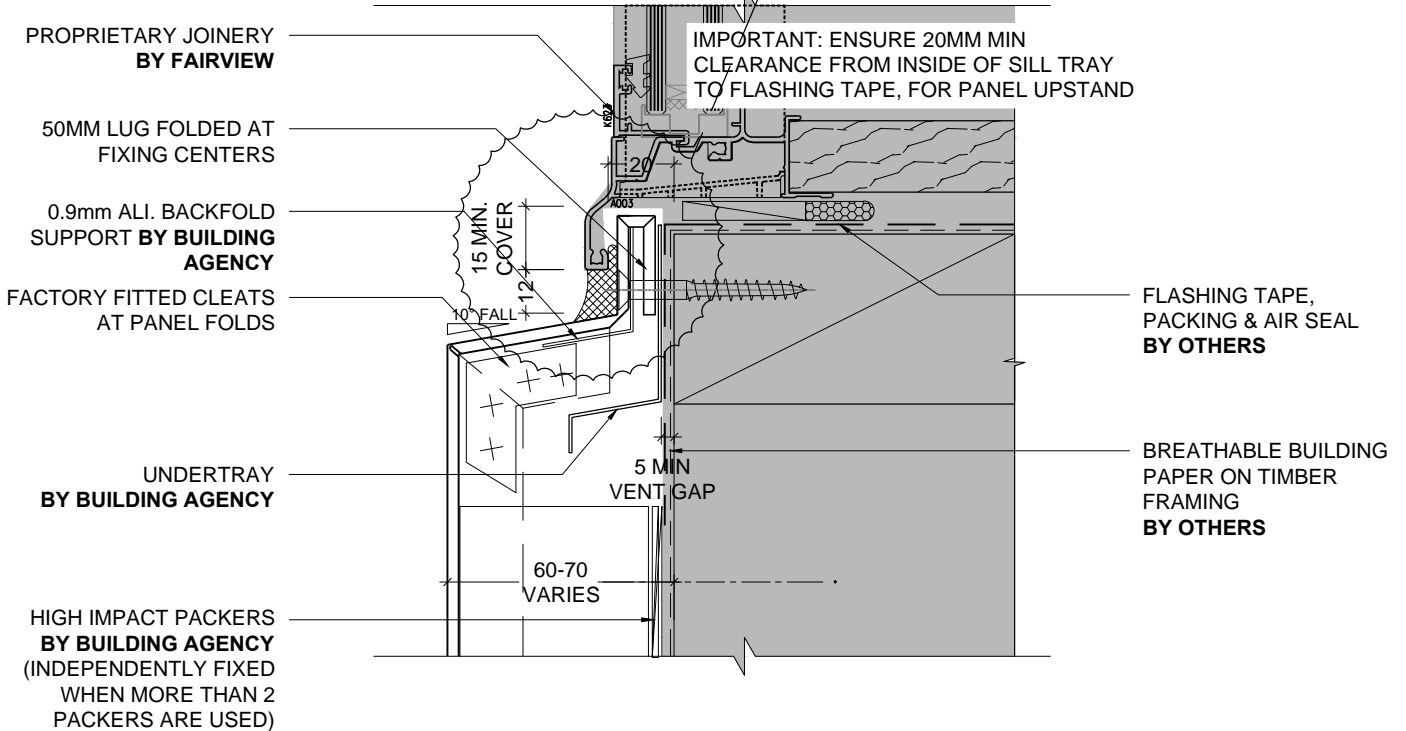
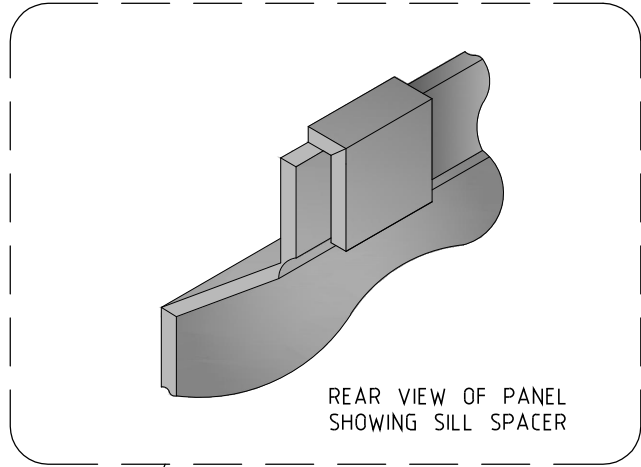
NOTE: TIMBER FRAMING BY OTHERS TO BE AT 600
CTRS MAX FOR BOTH STUDS & NOGS. MAY BE
REQUIRED AT CLOSER CENTERS SUBJECT TO
ENGINEERING REQUIREMENTS

BUILDING AGENCY ALUCOLUX CLADDING (DAB) SYSTEM



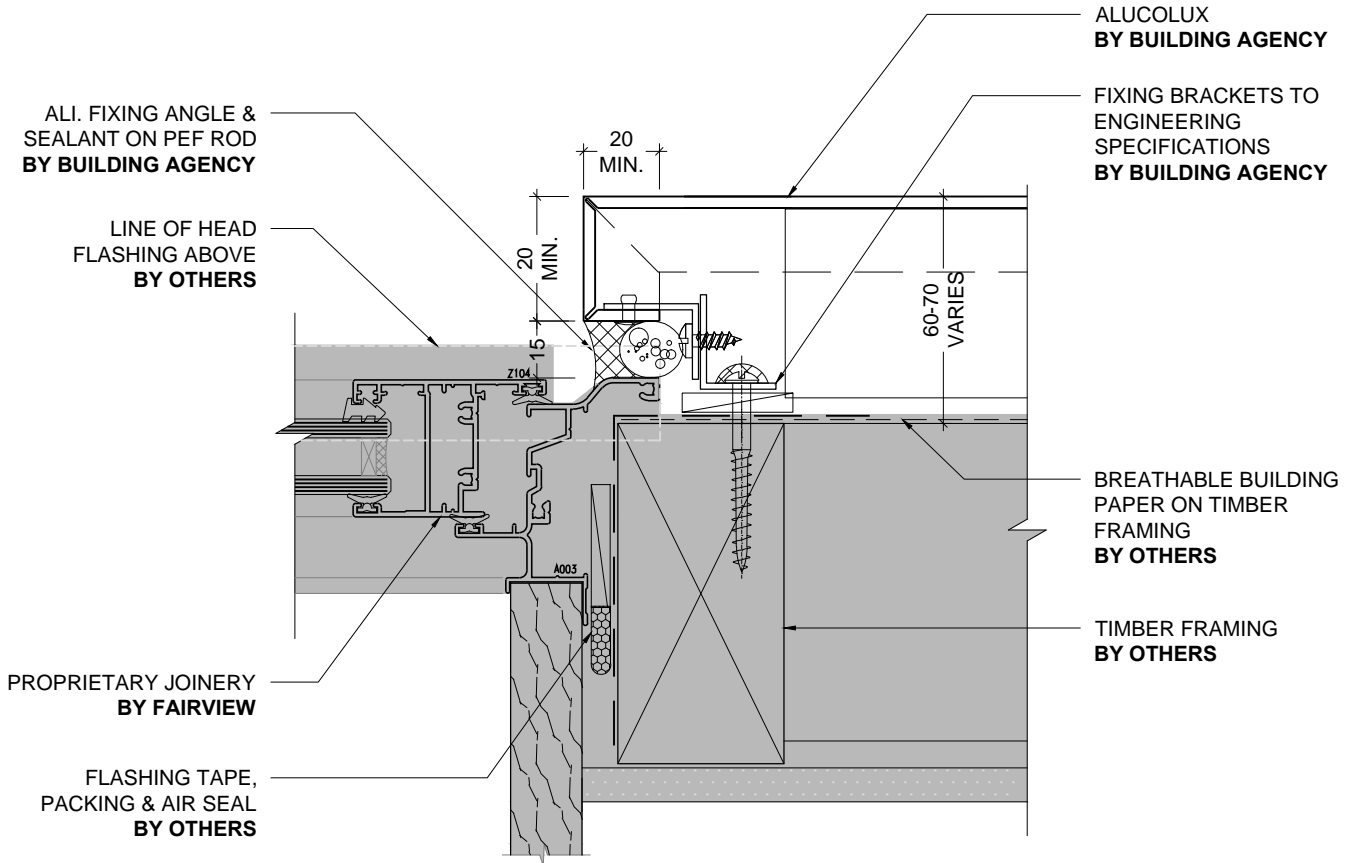
1 HEAD DETAIL - FAIRVIEW RESIDENTIAL JOINERY (SECTION)
1:2 @ A4

BUILDING AGENCY ALUCOLUX CLADDING (DAB) SYSTEM



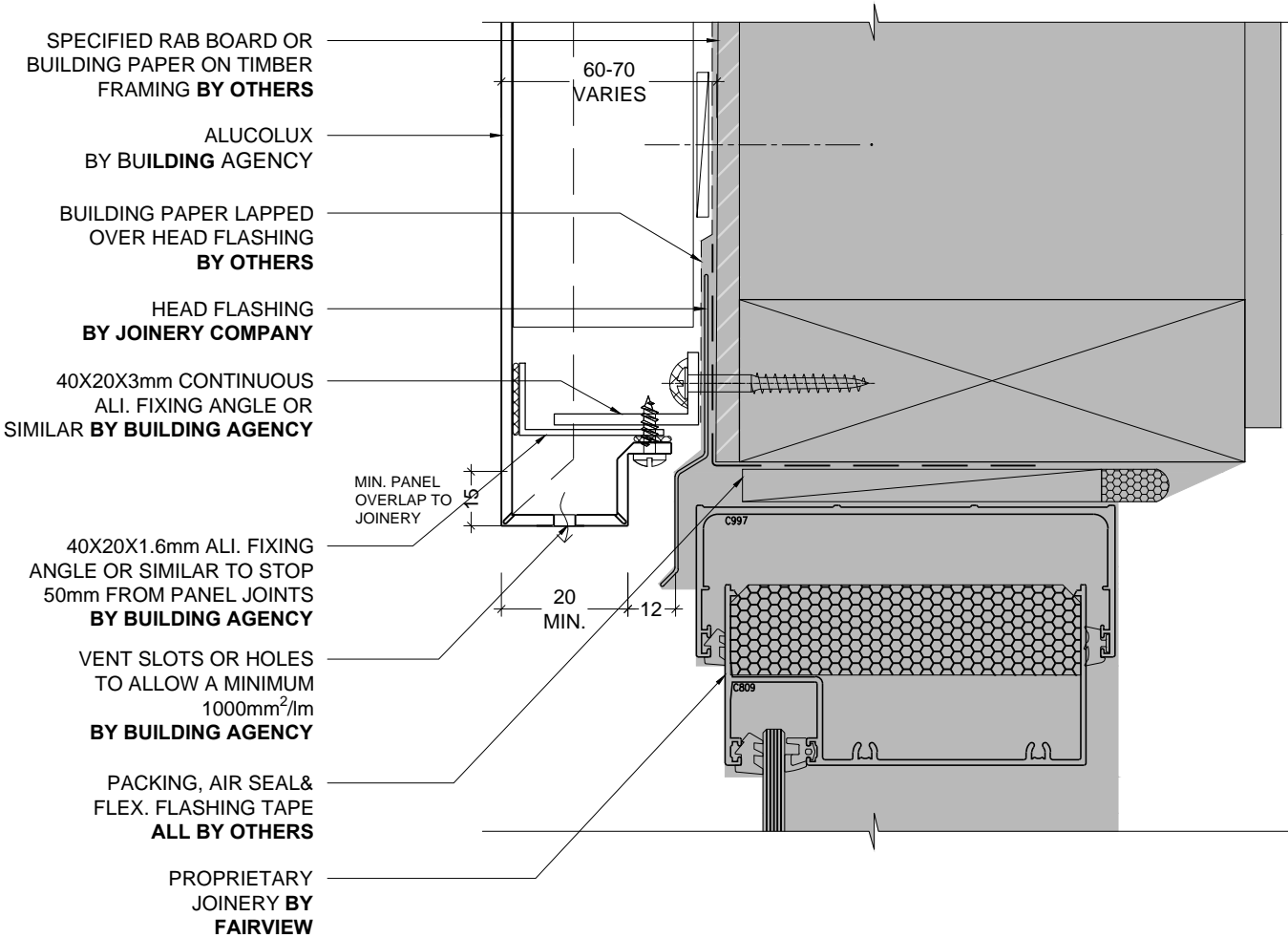
2 SILL DETAIL - FAIRVIEW RESIDENTIAL JOINERY (SECTION)
 - 1:2 @ A4

BUILDING AGENCY ALUCOLUX CLADDING (DAB) SYSTEM



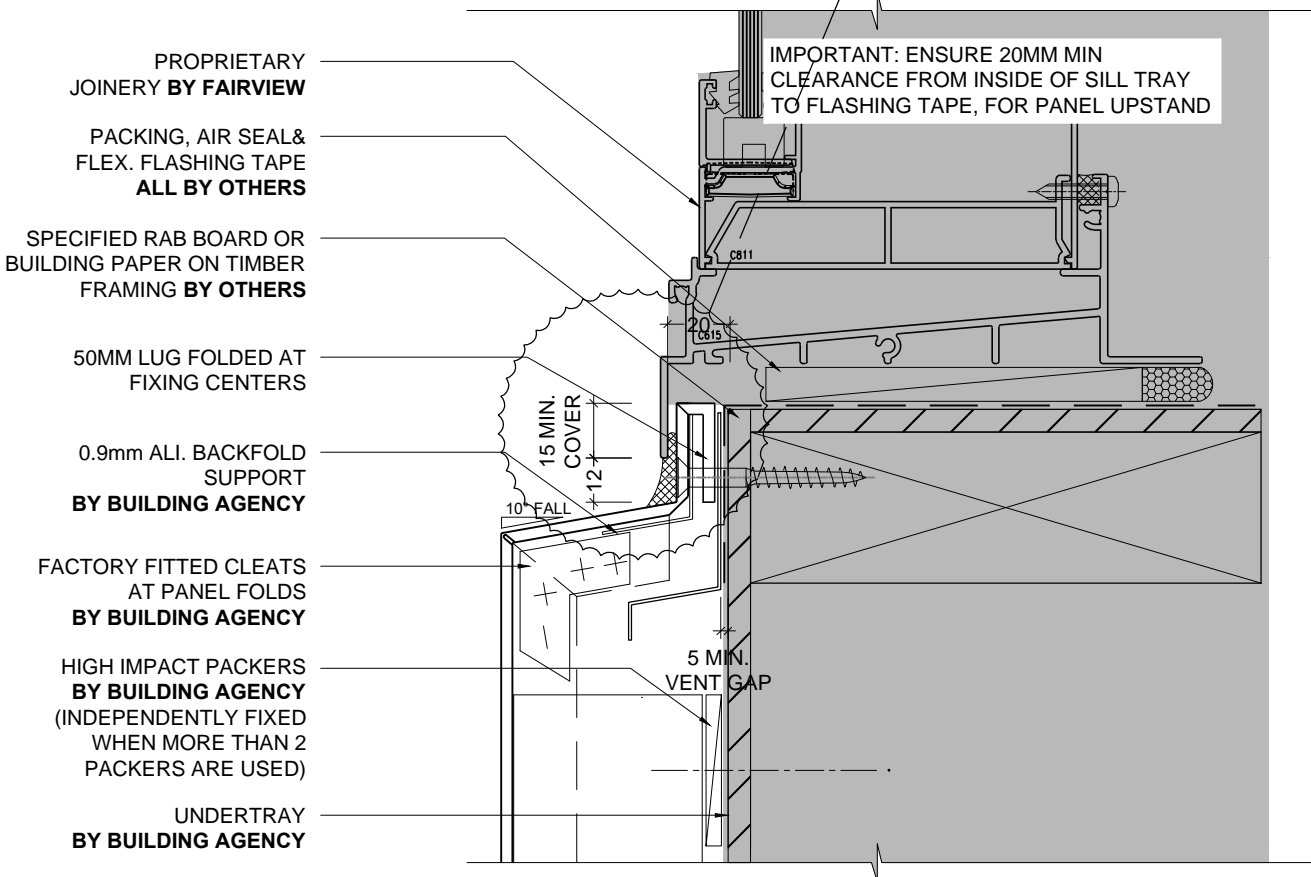
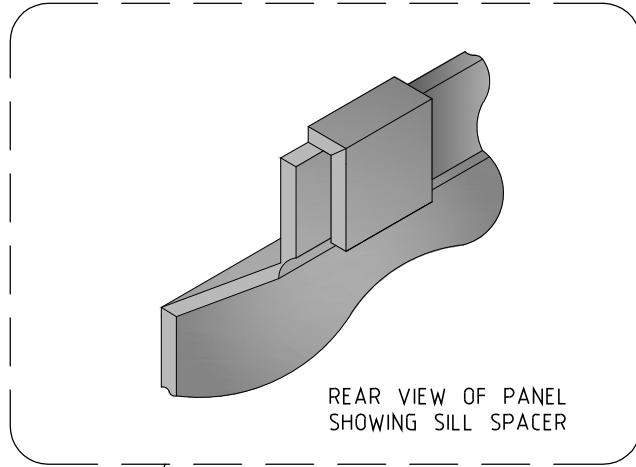
1 JAMB DETAIL - FAIRVIEW RESIDENTIAL JOINERY (PLAN)
-
1:2 @ A4

BUILDING AGENCY ALUCOLUX CLADDING (DAB) SYSTEM



1 TYPICAL FAIRVIEW COMMERCIAL HEAD DETAIL (SECTION)
 - 1:2 @ A4

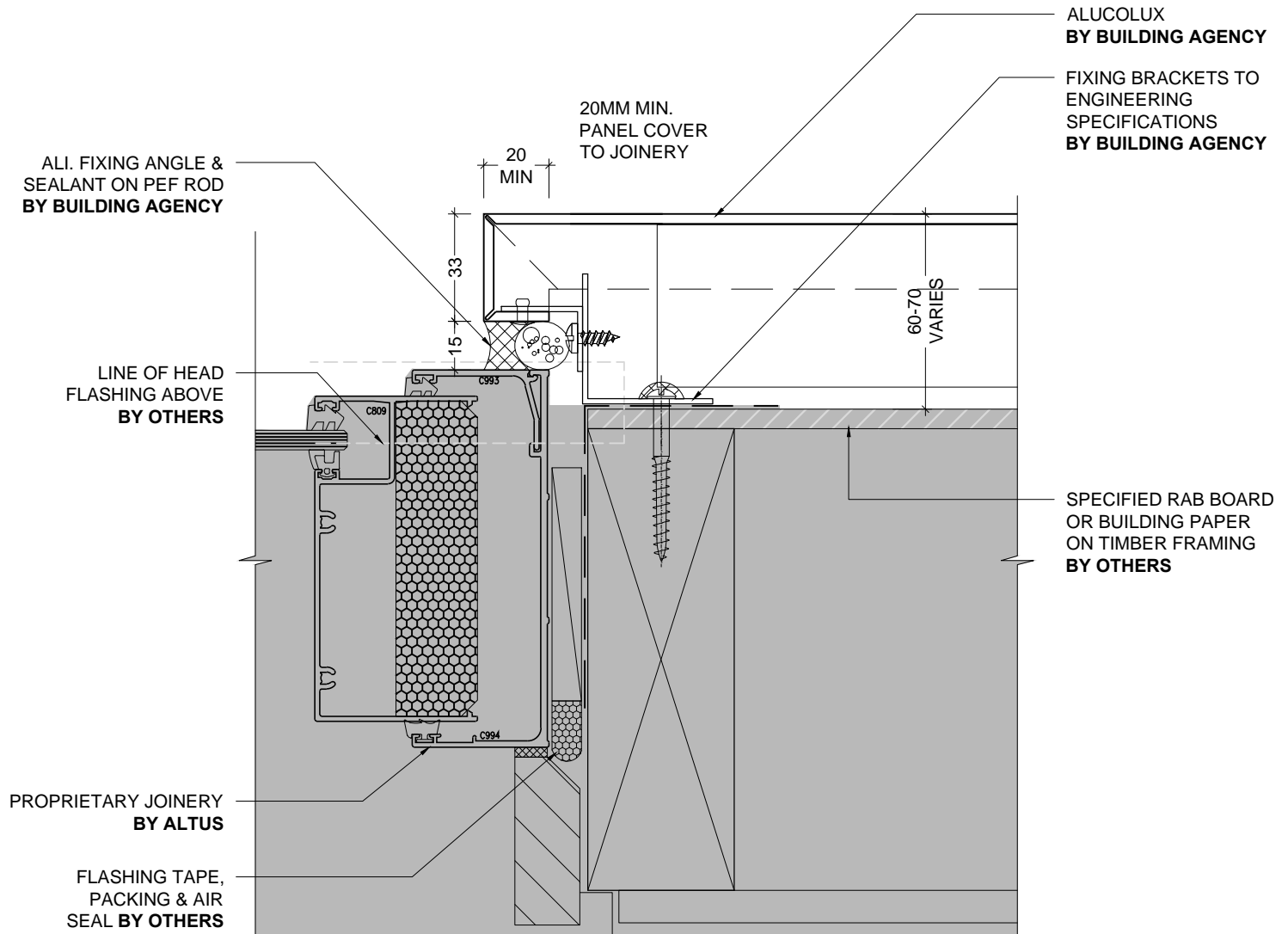
BUILDING AGENCY ALUCOLUX CLADDING (DAB) SYSTEM



2 TYPICAL FAIRVIEW COMMERCIAL SILL DETAIL (SECTION)
1:2 @ A4



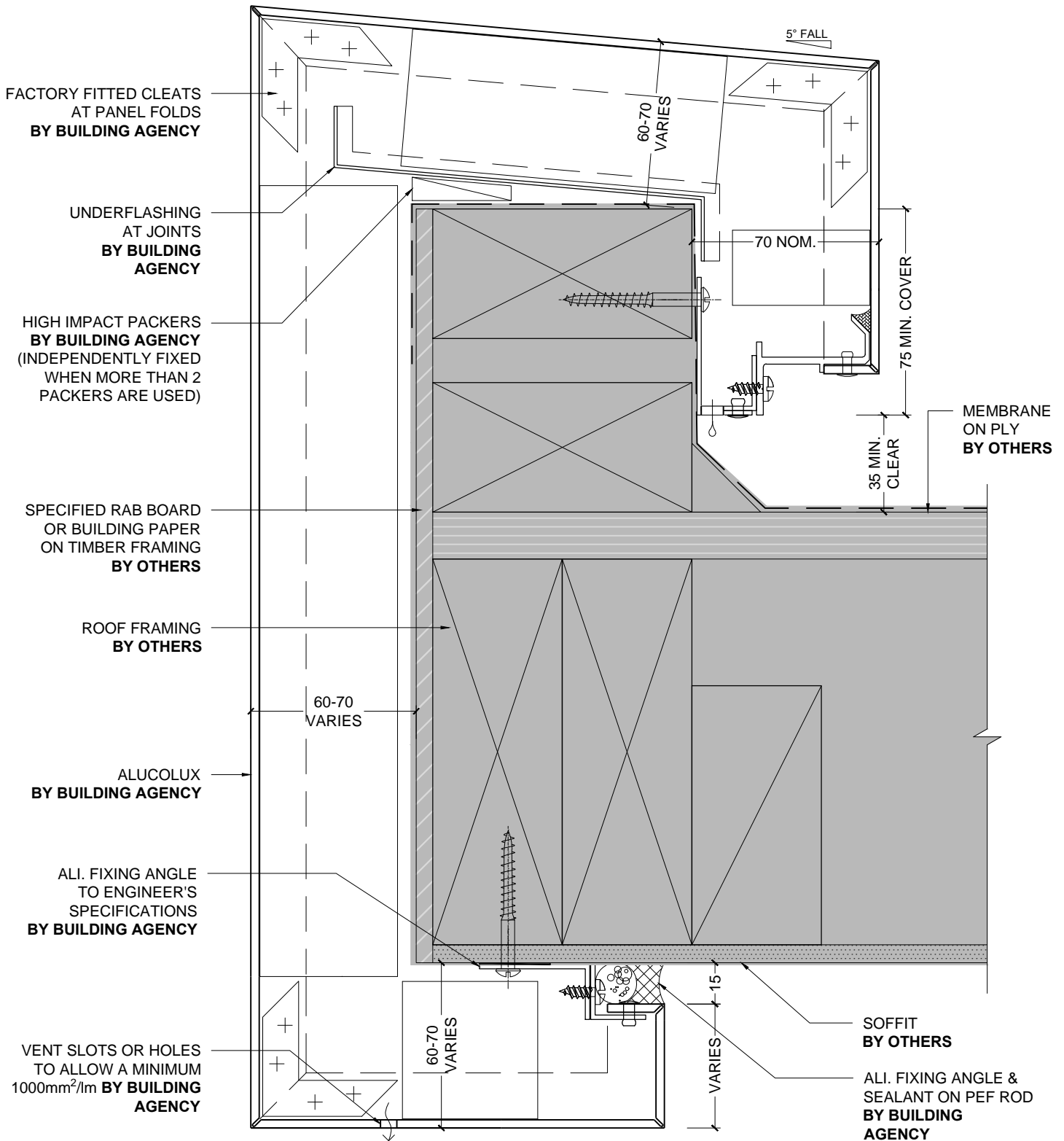
BUILDING AGENCY ALUCOLUX CLADDING (DAB) SYSTEM



1 TYPICAL FAIRVIEW COMMERCIAL JAMB DETAIL (PLAN)

1:2 @ A4

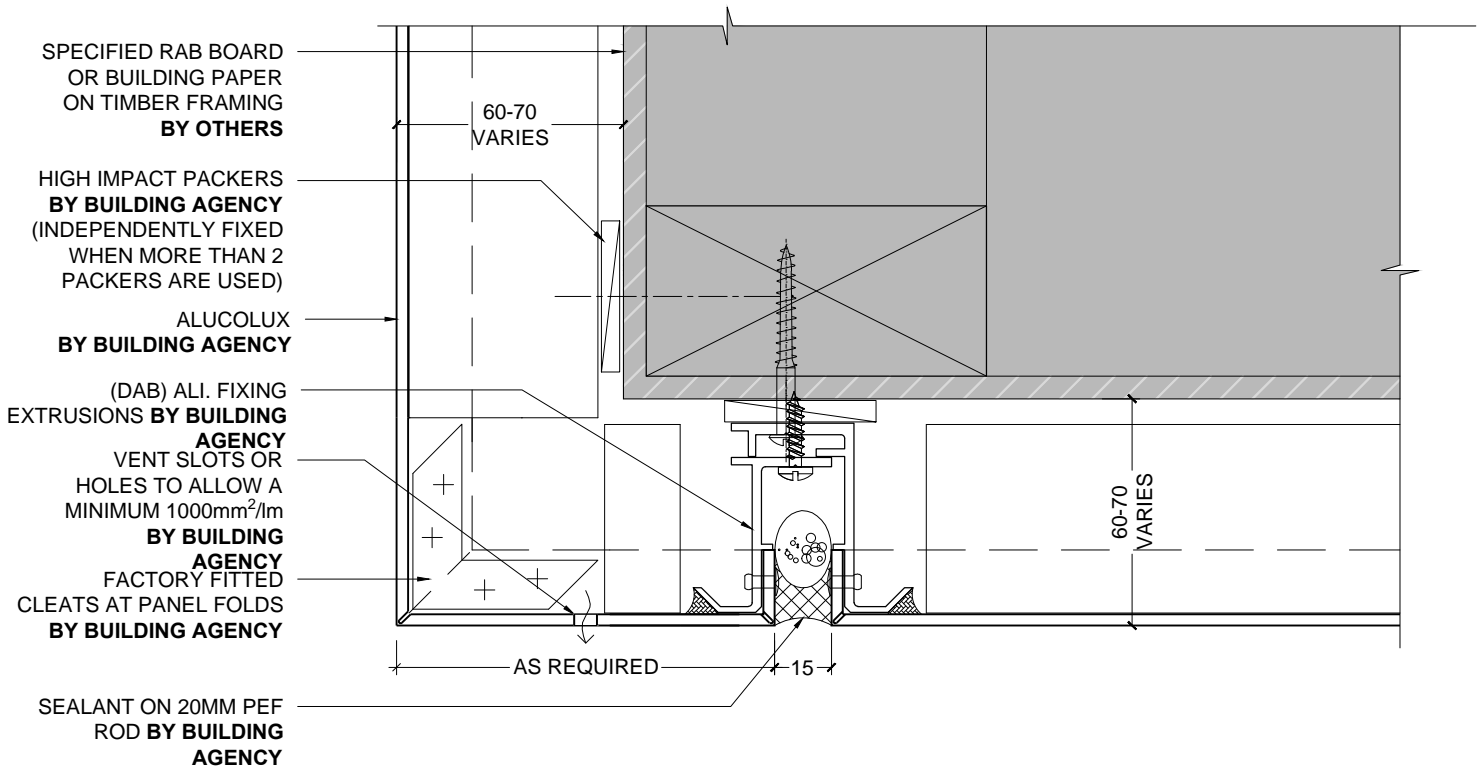
BUILDING AGENCY ALUCOLUX CLADDING (DAB) SYSTEM



1 FASCIA DETAIL - SOFFIT BY OTHERS (SECTION)

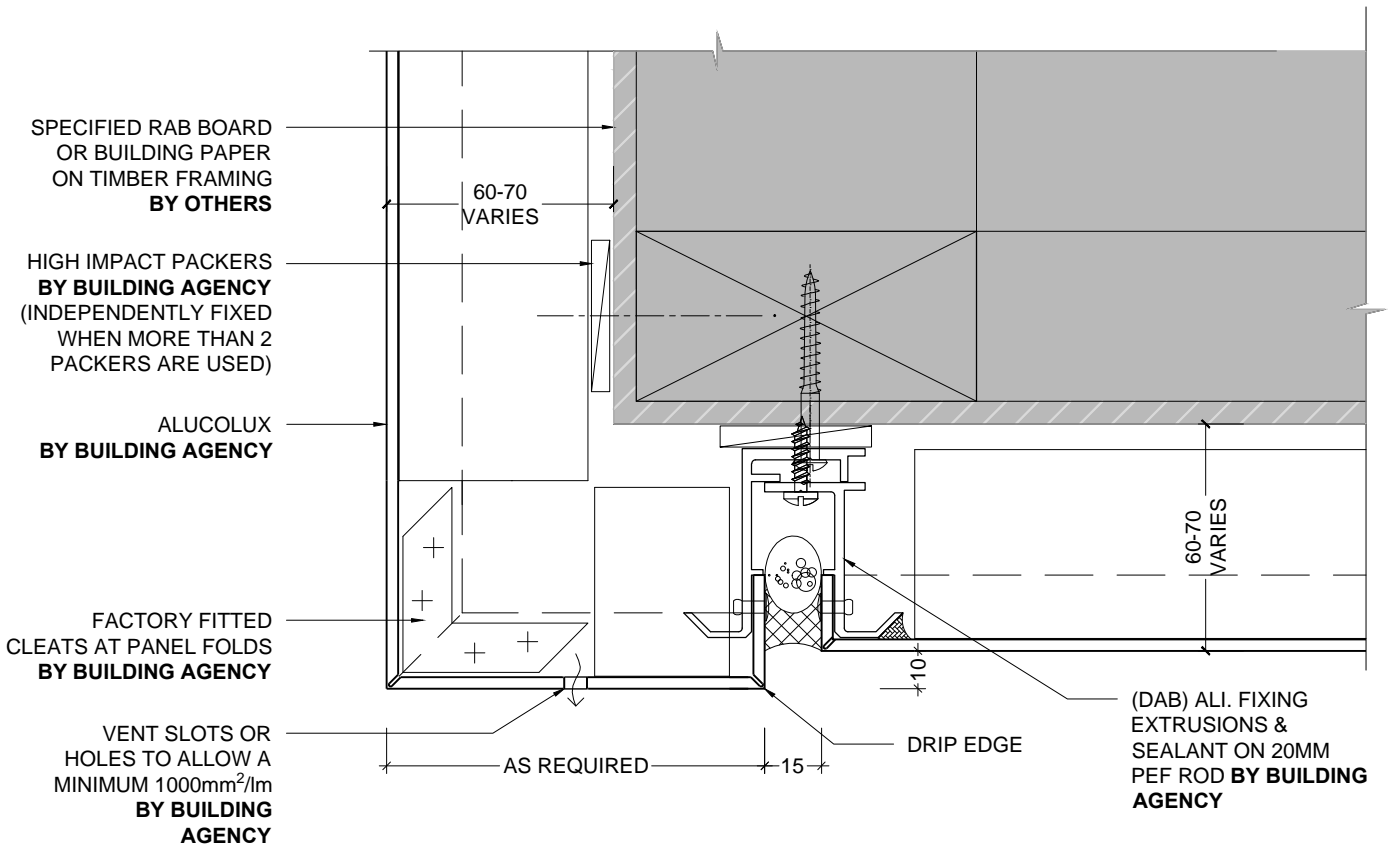
1:2 @ A4

BUILDING AGENCY ALUCOLUX CLADDING (DAB) SYSTEM



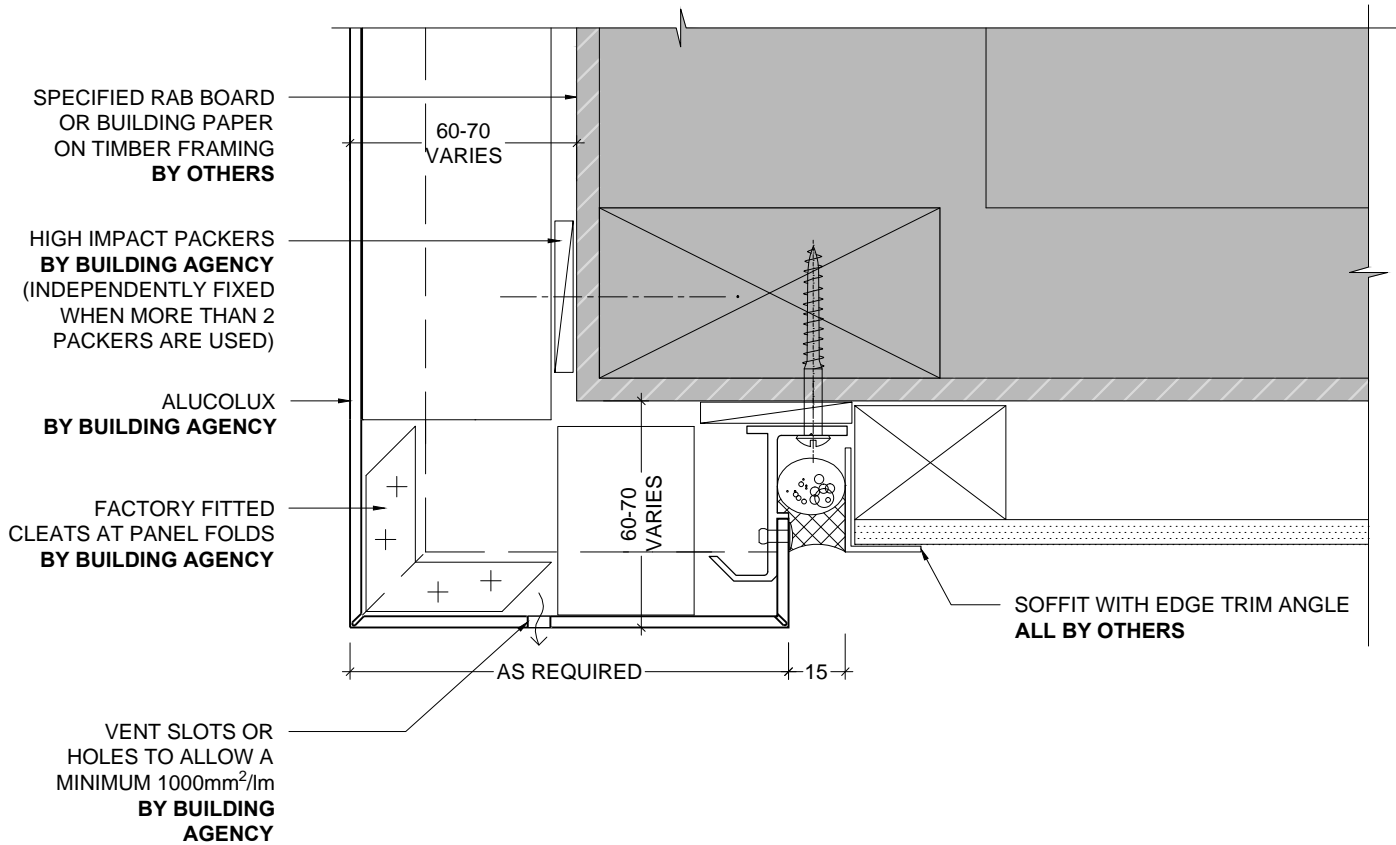
1 SOLID ALUMINIUM FASCIA TO SOFFIT 1 (SECTION)
 - 1:2 @ A4

BUILDING AGENCY ALUCOLUX CLADDING (DAB) SYSTEM



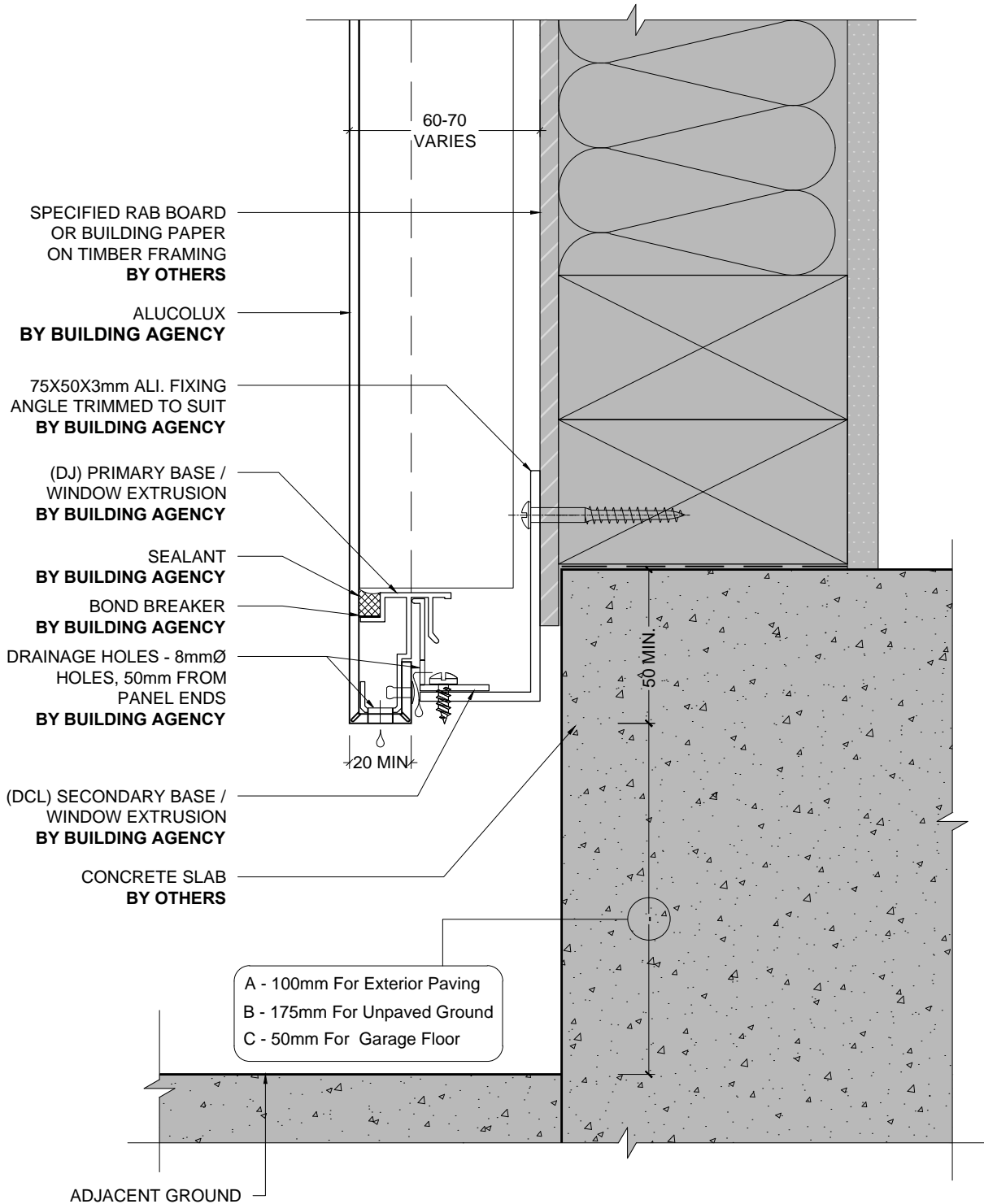
1 DRIP EDGE DETAIL (SECTION)
 -
 1:2 @ A4

BUILDING AGENCY ALUCOLUX CLADDING (DAB) SYSTEM



1 OPEN FLUSH SOFFIT JOINT (SECTION)
- 1:2 @ A4

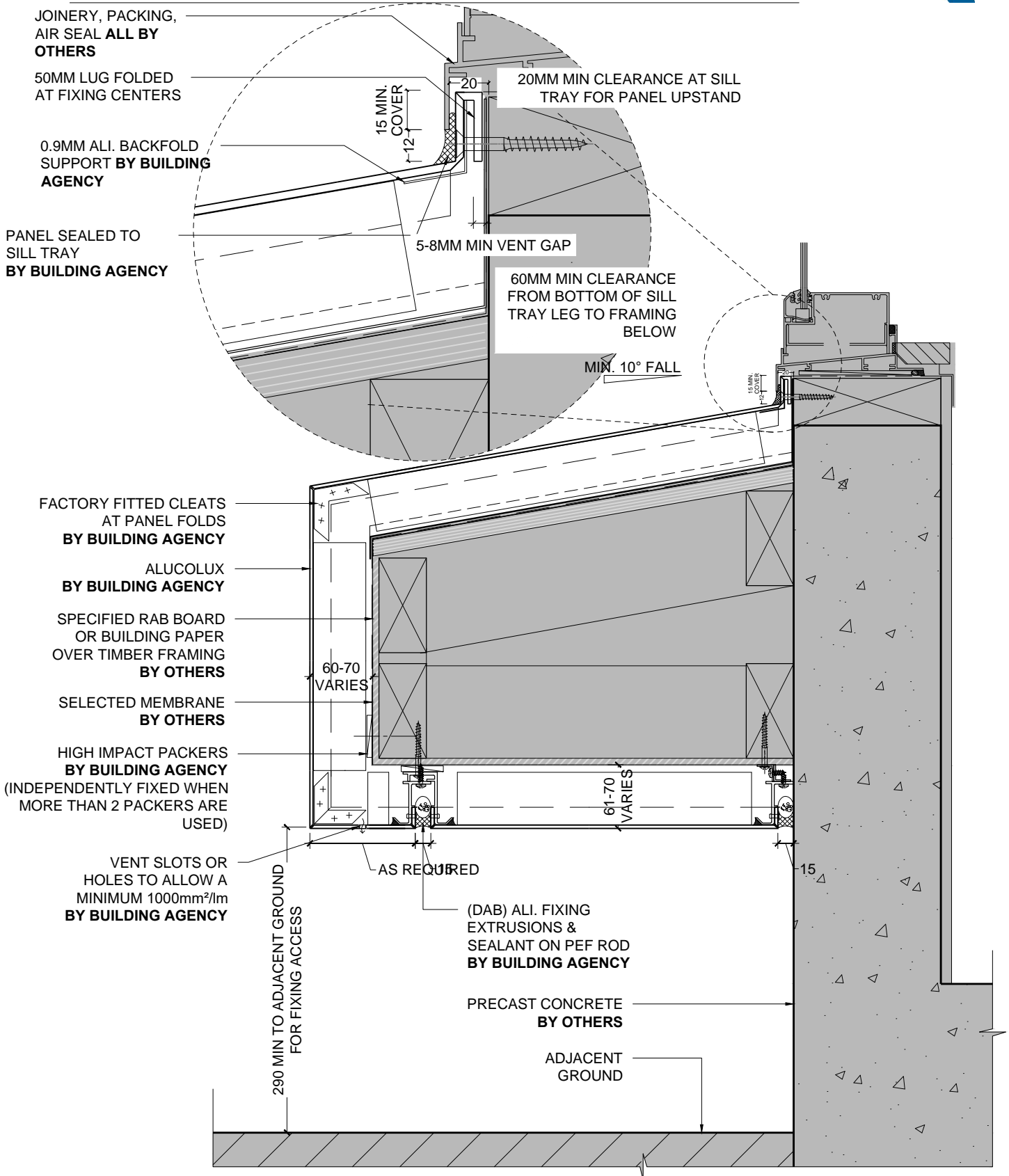
BUILDING AGENCY ALUCOLUX CLADDING (DAB) SYSTEM



1 BASE DETAIL 1 (SECTION)

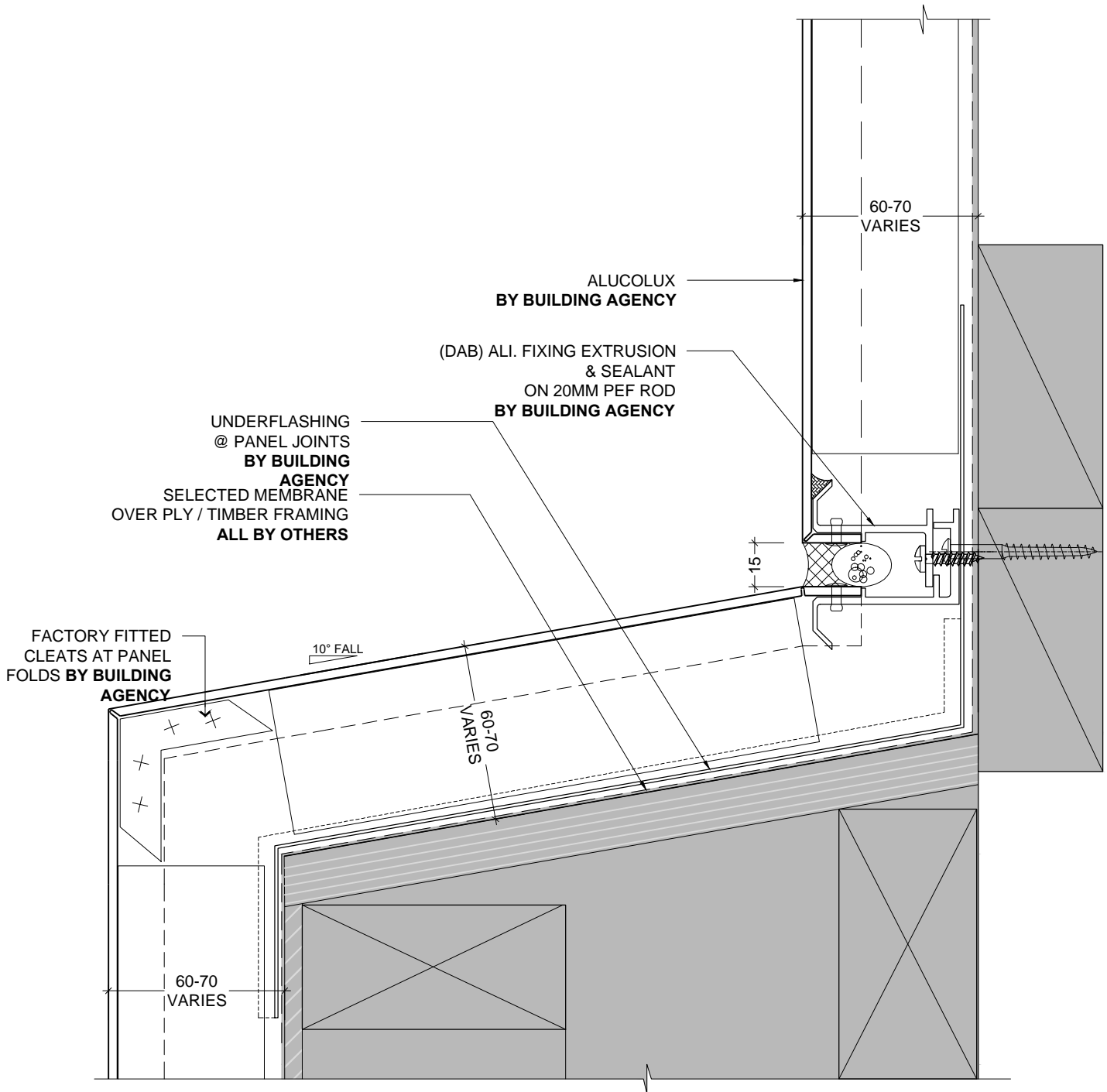
1:2 @ A4

BUILDING AGENCY ALUCOLUX CLADDING SYSTEM



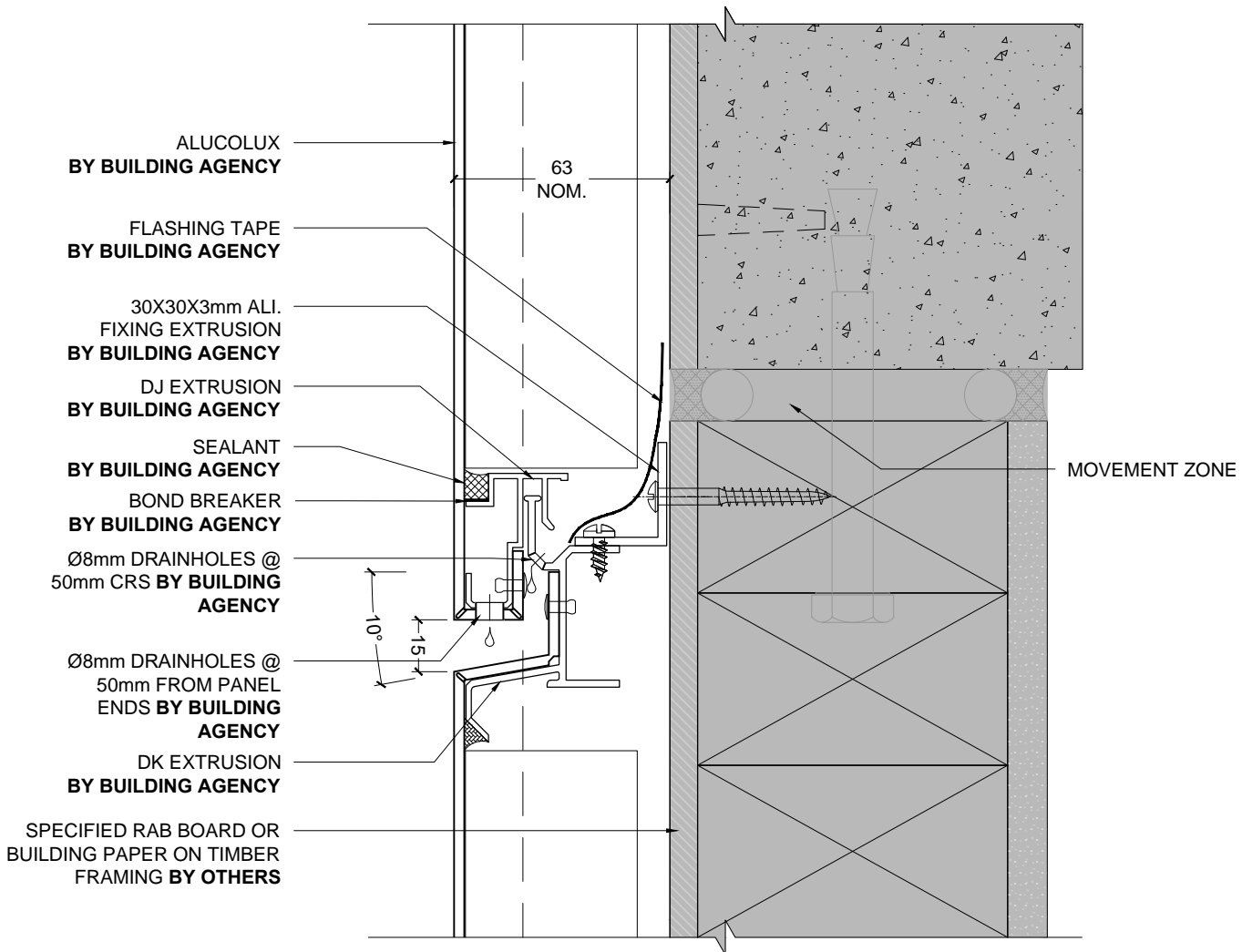
1 TYPICAL EYEBROW SILL DETAIL (SECTION)
1:5 @ A4

BUILDING AGENCY ALUCOLUX CLADDING (DAB) SYSTEM



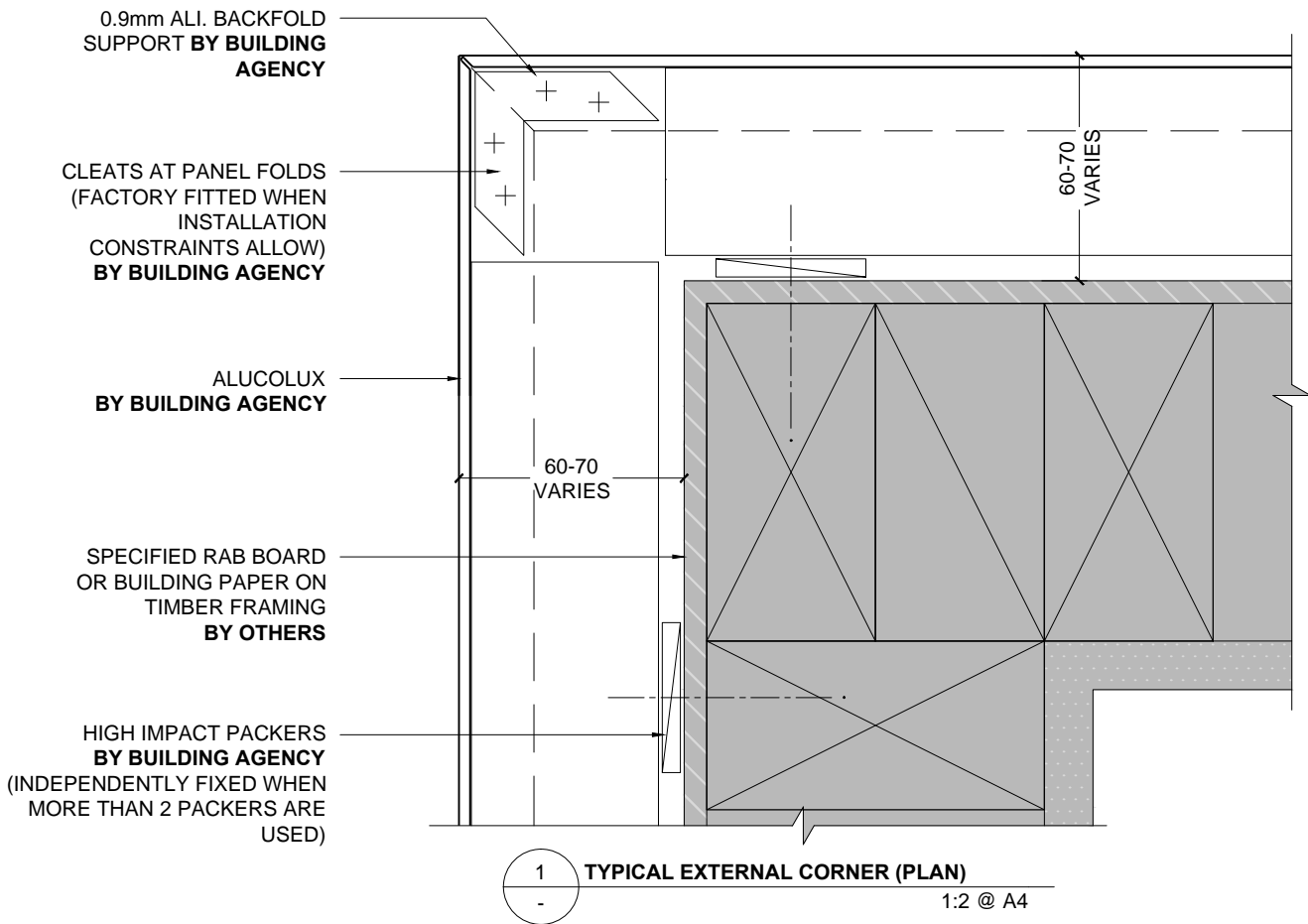
1 TYPICAL UPSTAND DETAIL (SECTION)
- 1:2 @ A4

BUILDING AGENCY ALUCOLUX CLADDING (DAB) SYSTEM

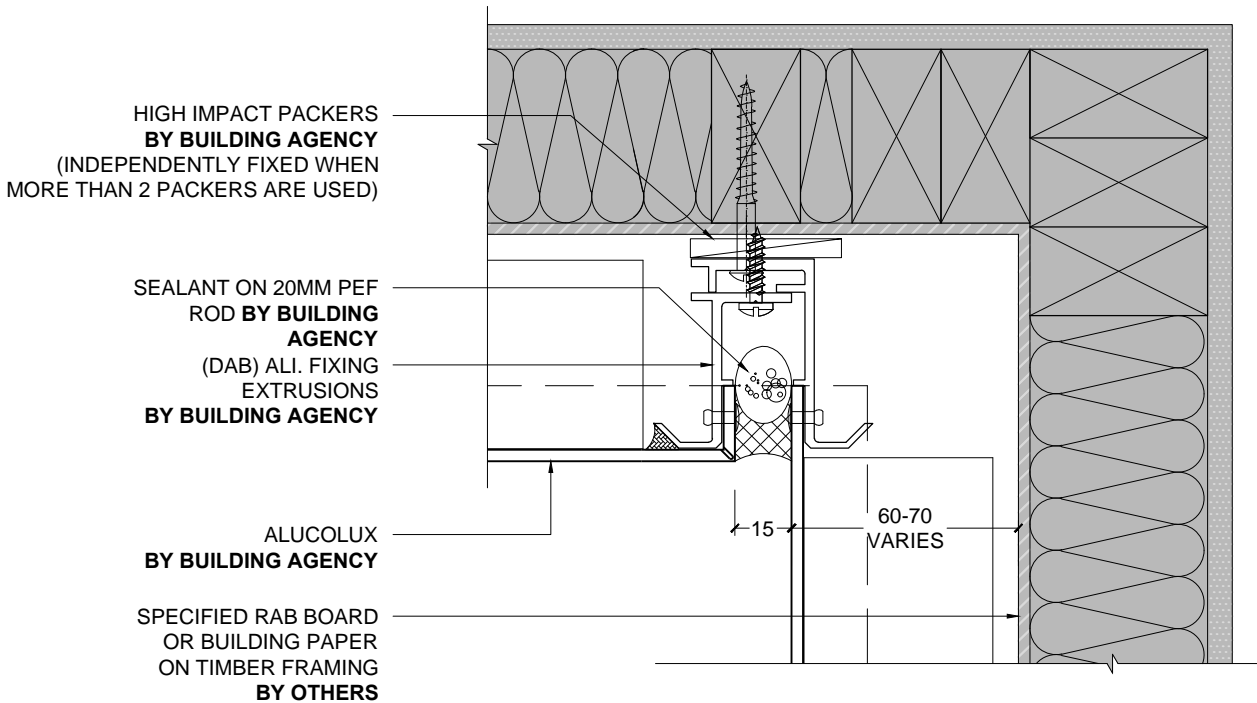


1 INTER-STOREY JOINT (SECTION)
- 1:2 @ A4

BUILDING AGENCY ALUCOLUX CLADDING (DAB) SYSTEM

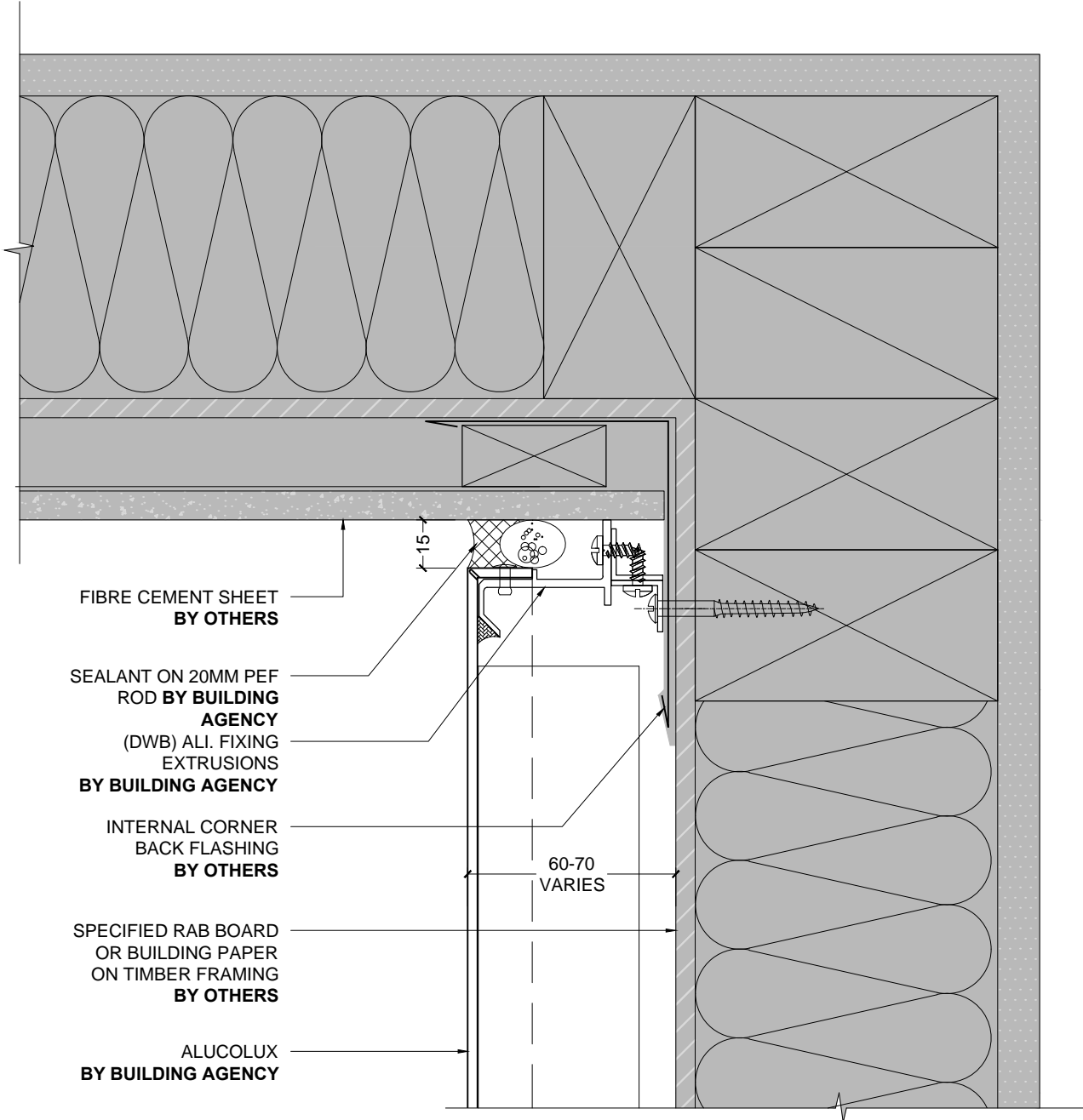


BUILDING AGENCY ALUCOLUX CLADDING (DAB) SYSTEM



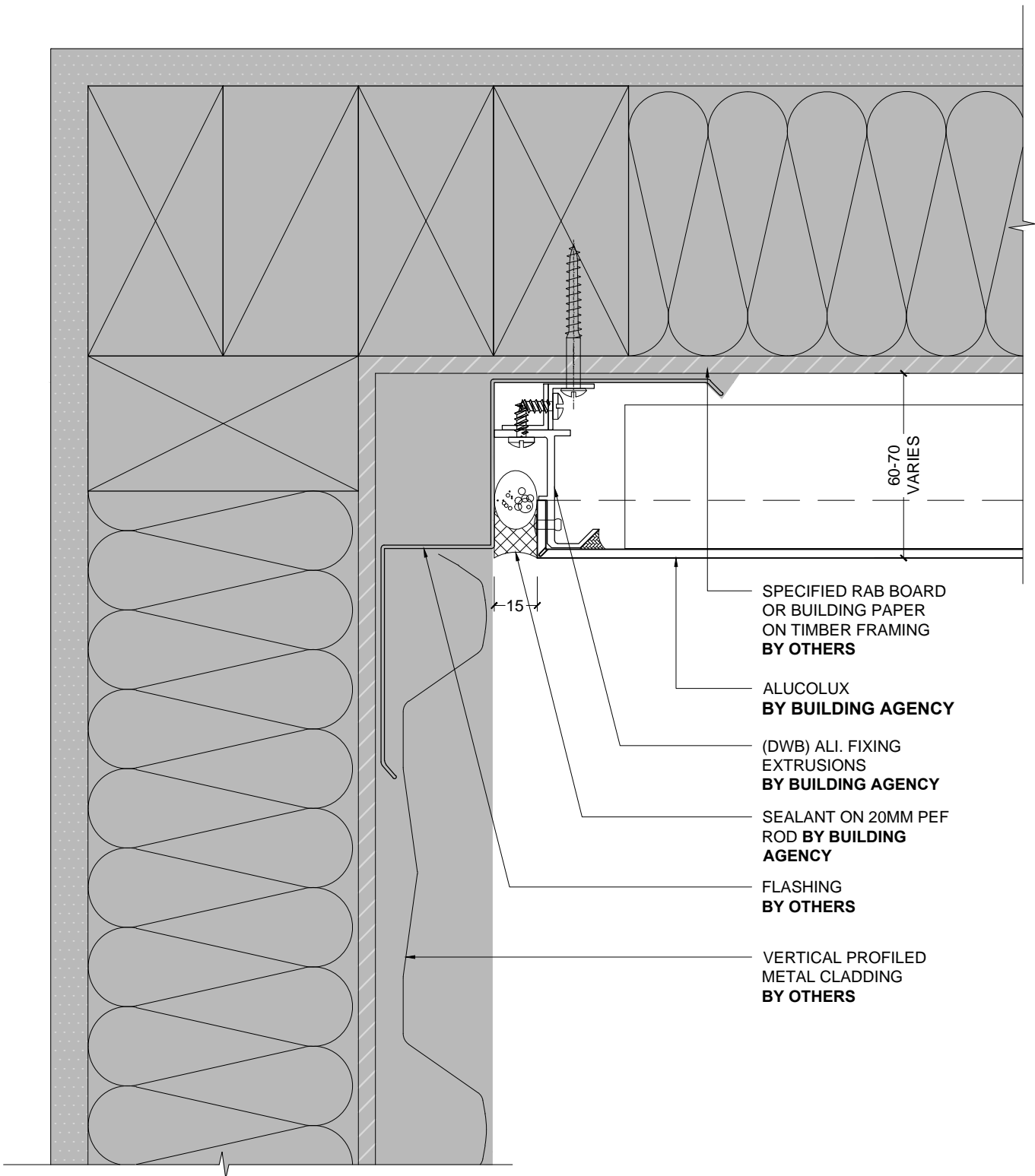
1 TYPICAL VERTICAL INTERNAL CORNER (PLAN)
- 1:2 @ A4

BUILDING AGENCY ALUCOLUX CLADDING (DAB) SYSTEM



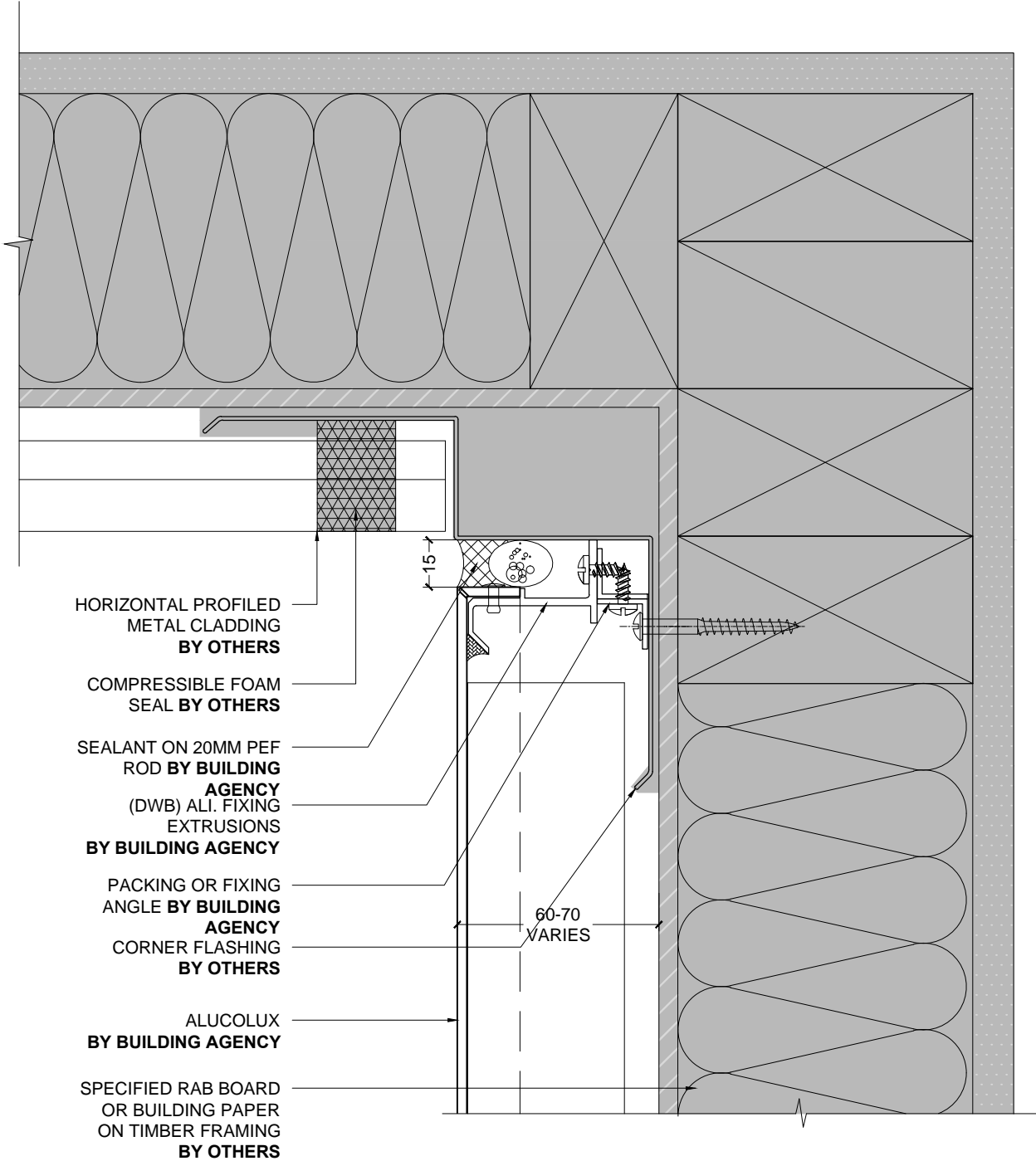
1 FIBRE CEMENT VERTICAL INTERNAL CORNER (PLAN)
 1:2 @ A4

BUILDING AGENCY ALUCOLUX CLADDING (DAB) SYSTEM



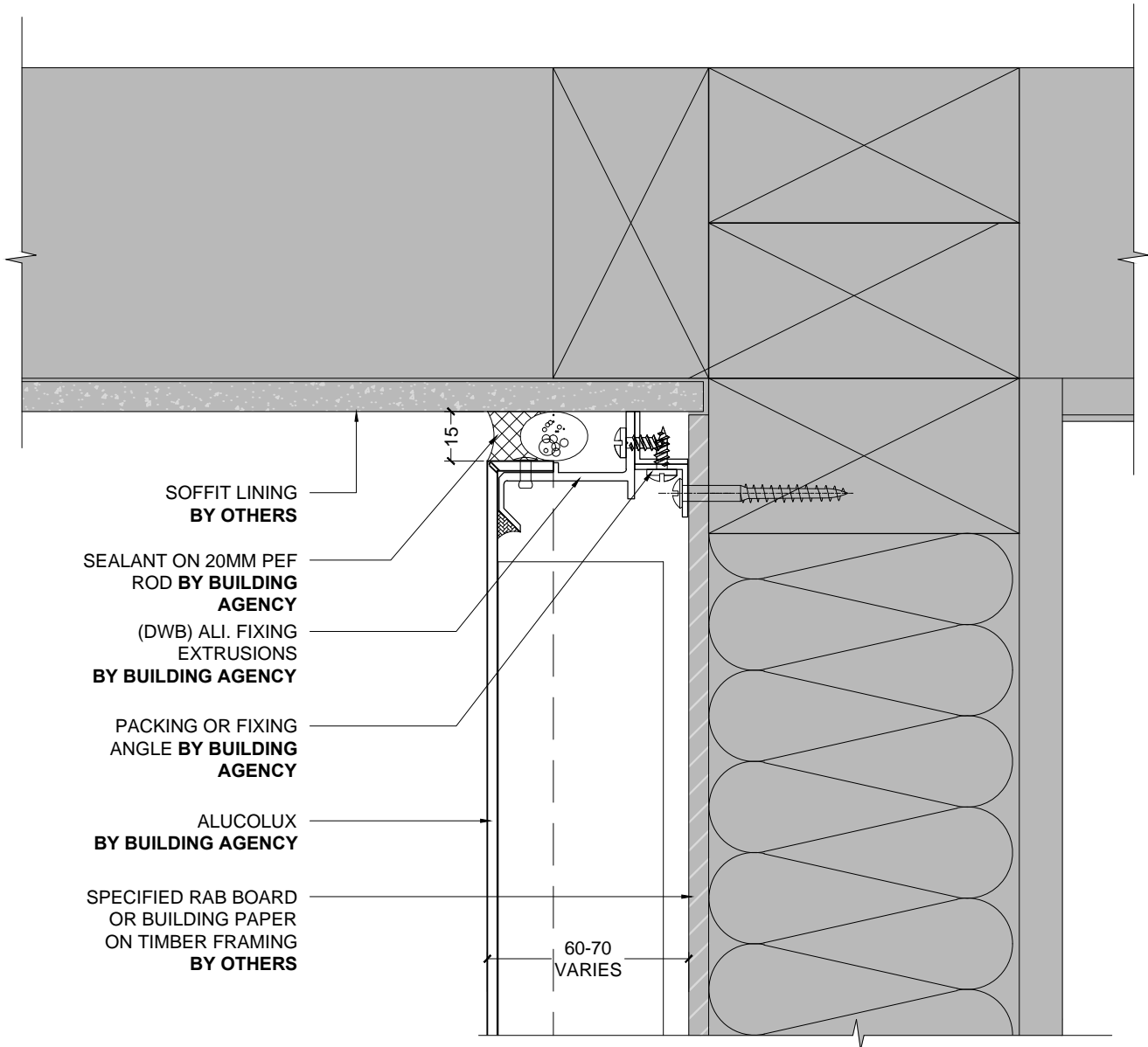
1 VERTICAL PROFILED METAL INTERNAL CORNER (PLAN)
- 1:2 @ A4

BUILDING AGENCY ALUCOLUX CLADDING (DAB) SYSTEM



1 HORIZONTAL PROFILED METAL INTERNAL CORNER (PLAN)
 -
 1:2 @ A4

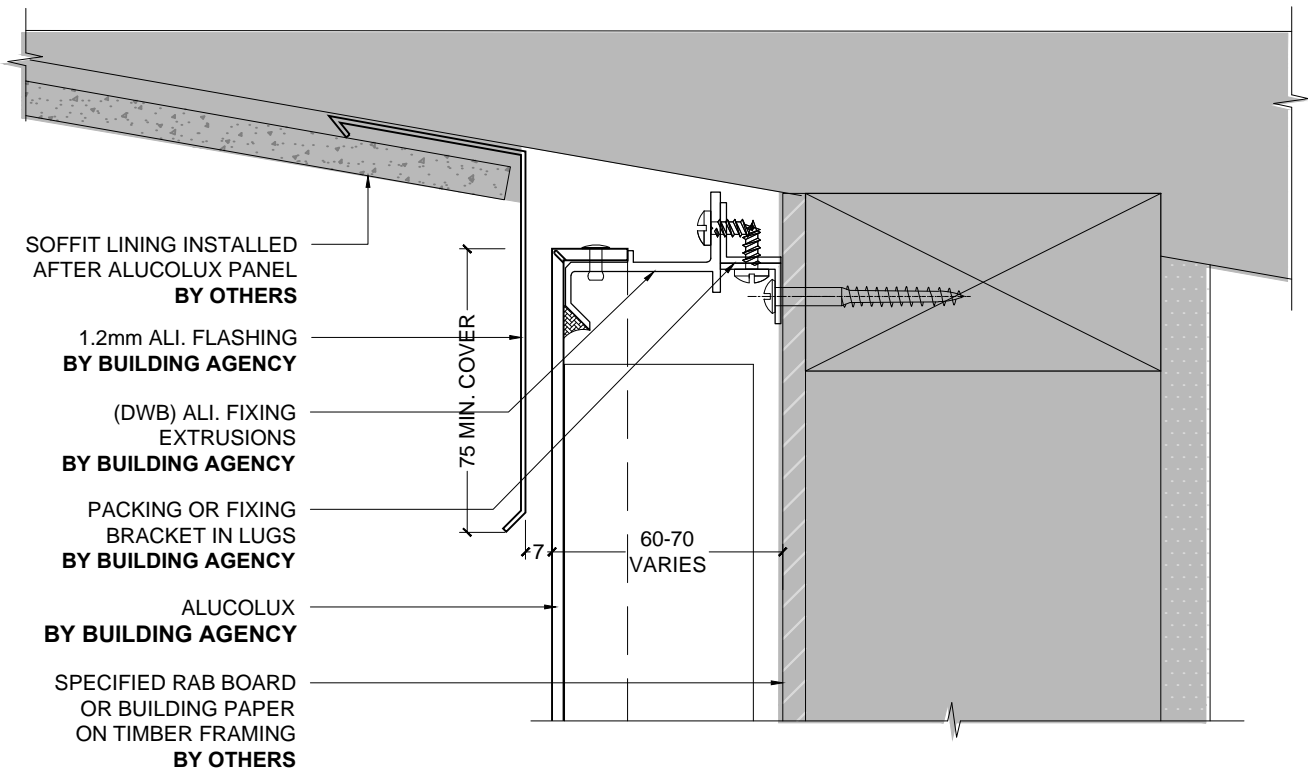
BUILDING AGENCY ALUCOLUX CLADDING (DAB) SYSTEM



1 TYPICAL WALL TO SOFFIT JUNCTION 1 (SECTION)

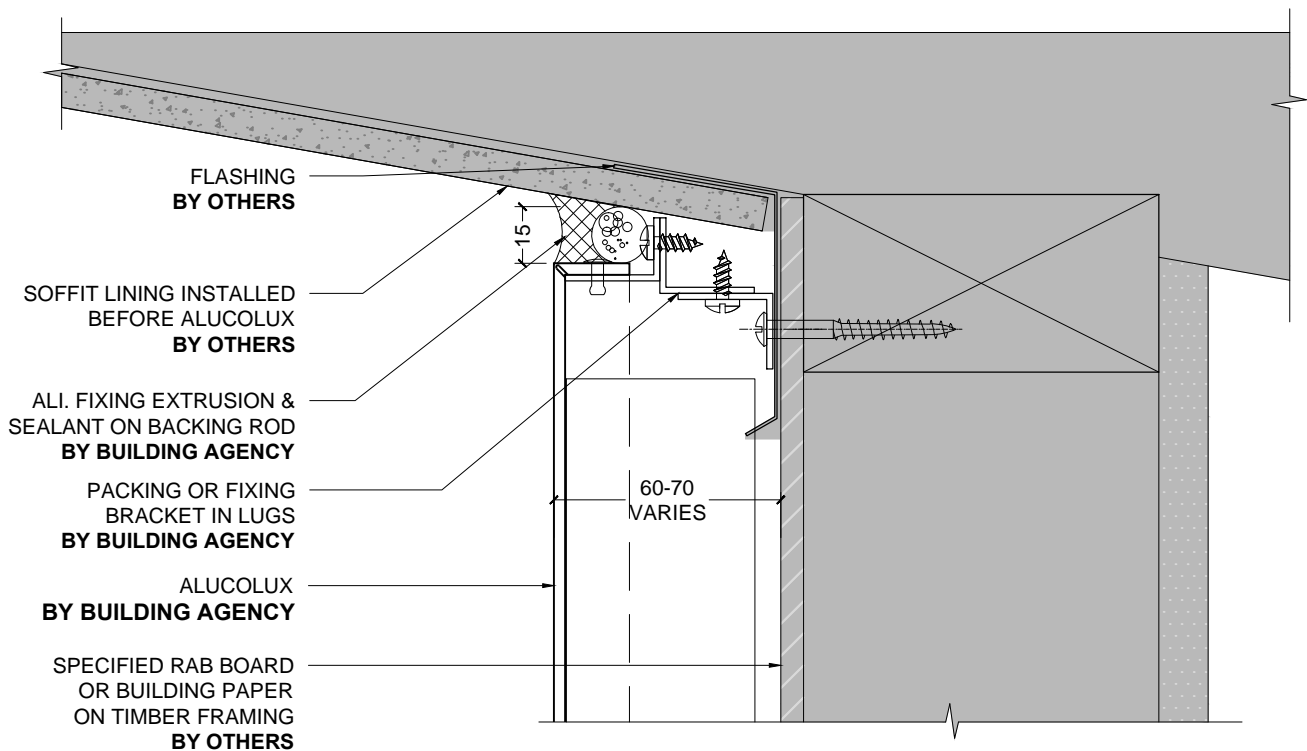
1:2 @ A4

BUILDING AGENCY ALUCOLUX CLADDING (DAB) SYSTEM



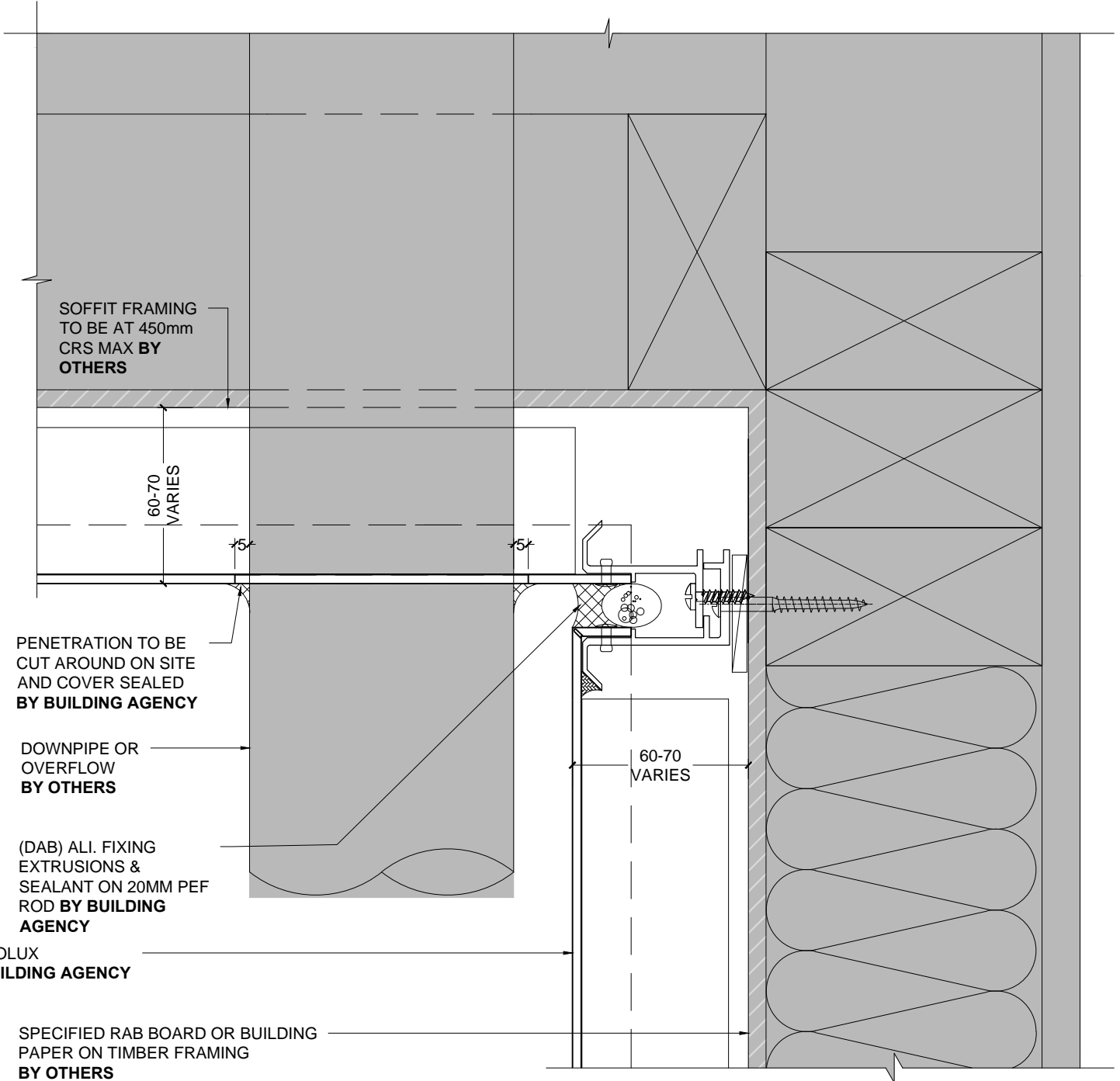
1
WALL TO RAKING SOFFIT JUNCTION 1 (SECTION)
 - FULL WEATHER EXPOSURE 1:2 @ A4

BUILDING AGENCY ALUCOLUX CLADDING (DAB) SYSTEM



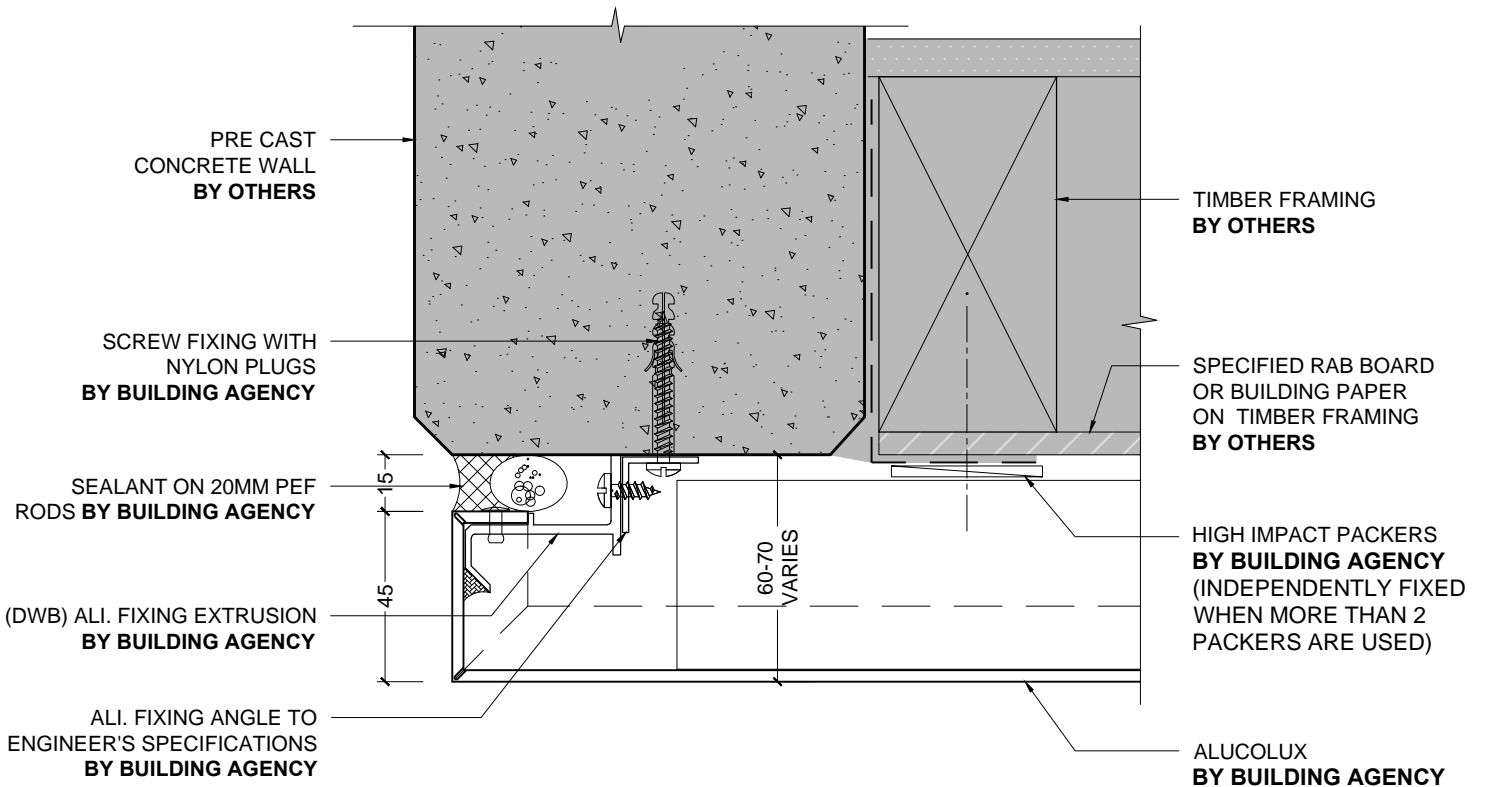
1 WALL TO RAKING SOFFIT JUNCTION 2 (SECTION)
- INTERIOR OR LOW WEATHER EXPOSURE 1:2 @ A4

BUILDING AGENCY ALUCOLUX CLADDING (DAB) SYSTEM



1 WALL TO SOFFIT JUNCTION & DOWNPIPE PENETRATION (SECTION)
 - 1:2 @ A4

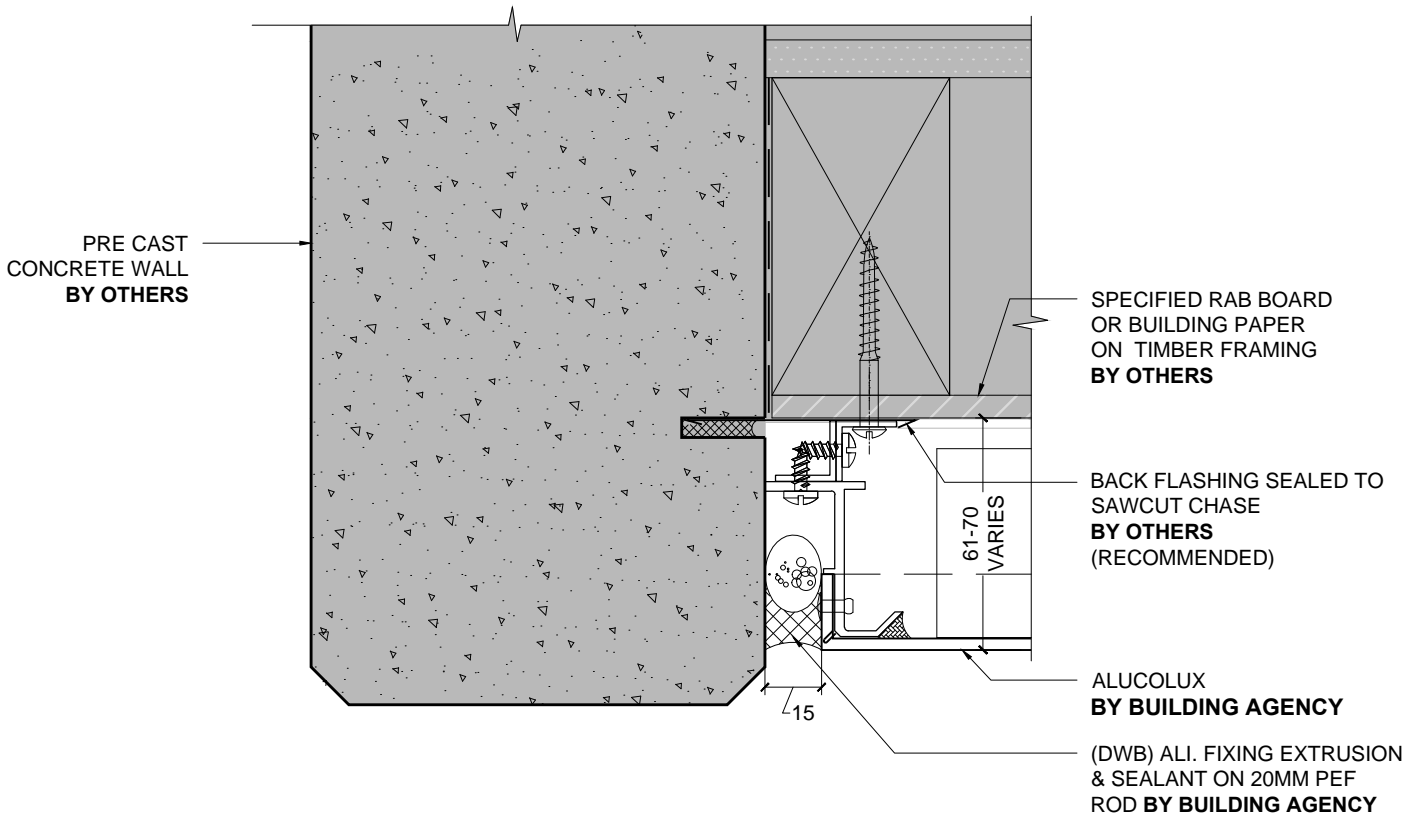
BUILDING AGENCY ALUCOLUX CLADDING (DAB) SYSTEM



1 PRECAST CONCRETE WALL JUNCTION 1 (PLAN)

1:2 @ A4

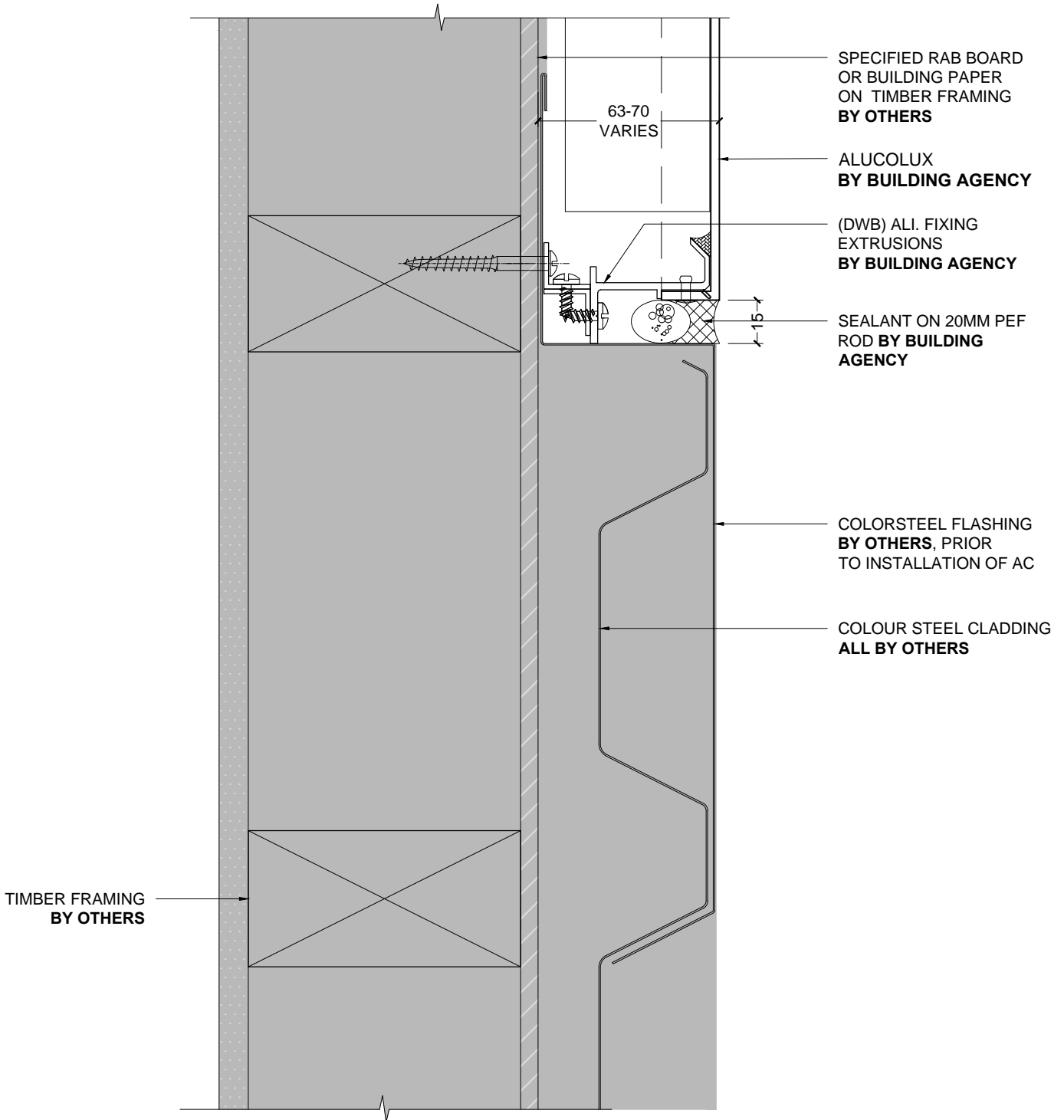
BUILDING AGENCY ALUCOLUX CLADDING (DAB) SYSTEM



1 PRECAST CONCRETE WALL JUNCTION 2 (PLAN)
1:2 @ A4

NOTE: CHASED FLASHING IS RECOMMENDED AT ALL VERTICAL CONCRETE JUNCTION DETAILS. IT IS THE BUILDING DESIGNER'S RESPONSIBILITY TO CHECK WITH APPLICABLE LOCAL BUILDING AUTHORITIES AS TO WHETHER THIS IS REQUIRED

BUILDING AGENCY ALUCOLUX CLADDING (DAB) SYSTEM



1 VERTICAL PROFILED METAL JUNCTION (PLAN)
- 1:2 @ A4